

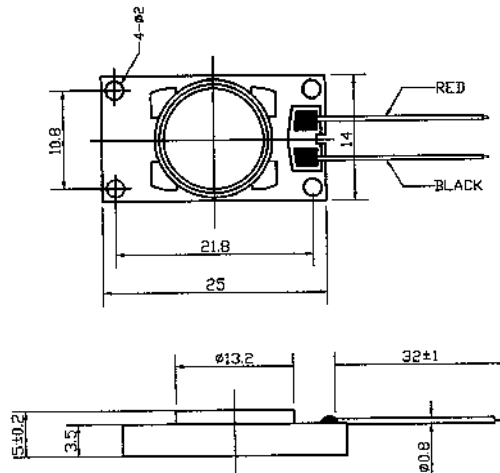
LSM-S2514K (Artikel-Nr. 130005)

SPECIFICATIONS:

TYPE	UNIT	LSM-S2514K
Impedance	Ω	$8 \pm 15\%$
Power (Nominal)	W	0.5
Power (Maximum)	W	0.8
Resonant Frequency	Hz	$700 \pm 20\%$
Sound Pressure Level	dB	82 ± 3
Frequency Range	Hz	Fo~8.000
Operating Temperature	$^{\circ}\text{C}$	-20~+60
Storage Temperature	$^{\circ}\text{C}$	-30~+70

DIMENSIONS :

(Unit: mm)



Frequency response:

