

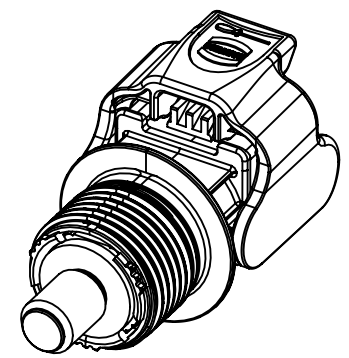
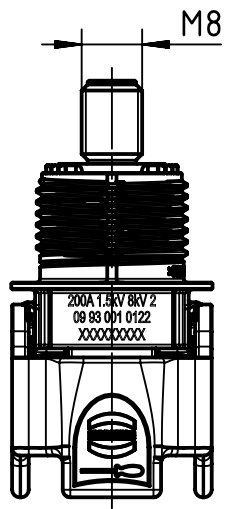
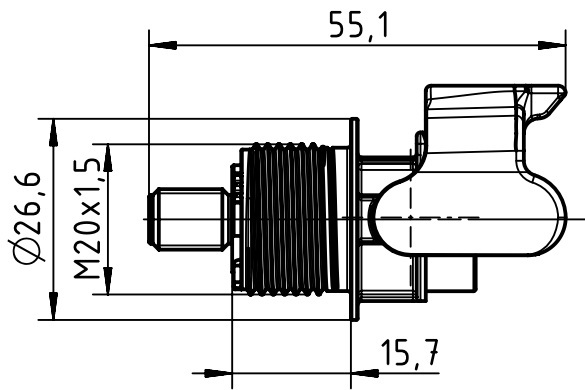
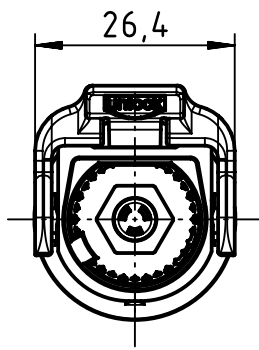
1 2 3 4 5 6

A

B

C

D



	All Dimensions in mm Original Size DIN A4		Scale 1:1	Free size tol.		Ref.	
						Sub.	
	All rights reserved		Created by DEIMEL	Inspected by GRIEPENSTROH	Standardisation 302077	Date 2021-04-19	
	Department EL PD		Title Han® S-HSI w. MC M8-red-UP			State Final Release	
HARTING D-32339 Espelkamp			Type TB	Number 09 93 001 0122		Doc-Key / ECM-Nr. 100937682/UGD/001/B 500000193505	
						Rev. B	Page 1/1