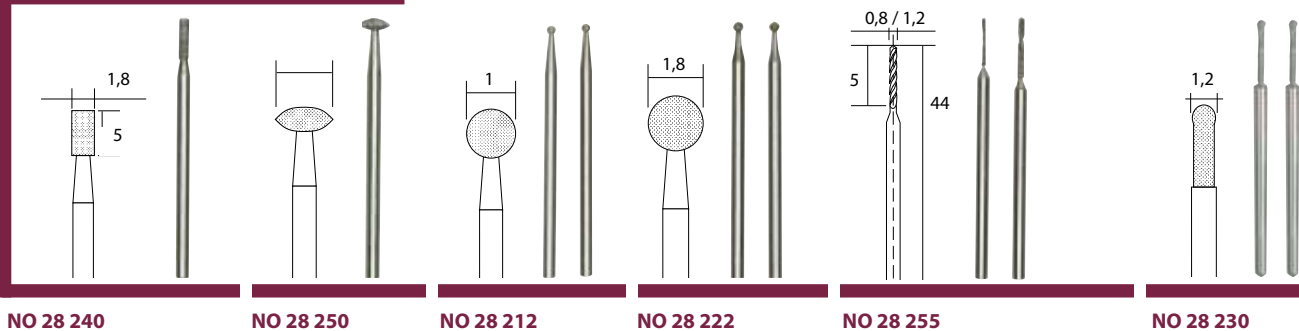


Diamond, cleaning and polishing tools. In professional quality, also for

Diamond tools

For
glass
ceramics
plastic



NO 28 240

NO 28 250

NO 28 212

NO 28 222

NO 28 255

NO 28 230

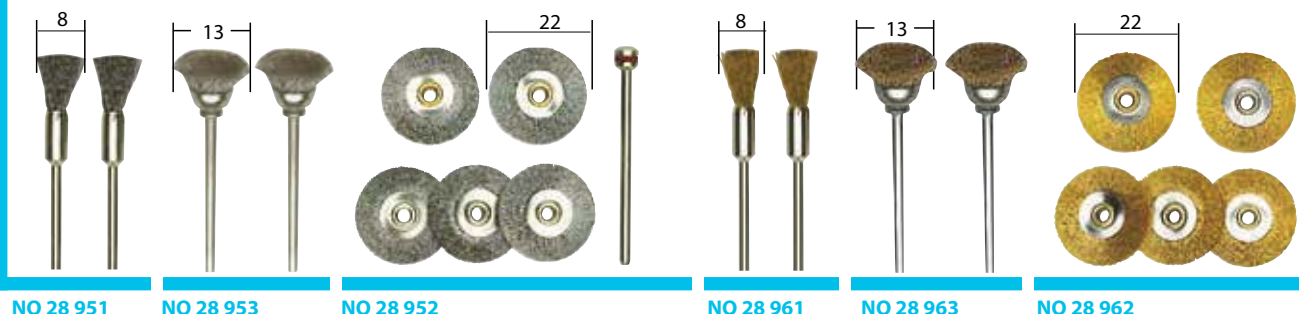
Diamond grinding bits With consistently even coating of diamond dust. Bodies and shafts made from stainless steel. Used for grinding, engraving and chiselling steel (even chrome-cobalt alloy), glass, ceramics, porcelain and plastics. All shafts \varnothing 2.35.

Diamond twist drills For drilling holes in (semi) precious stones, etc. Shaft \varnothing 2.35.

Ball-shaped dia grinding and machi-
ning and machi-
ended for use
of coolant. Shaft

Cleaning brushes

For
steel
brass
stainless steel



NO 28 951

NO 28 953

NO 28 952

NO 28 961

NO 28 963

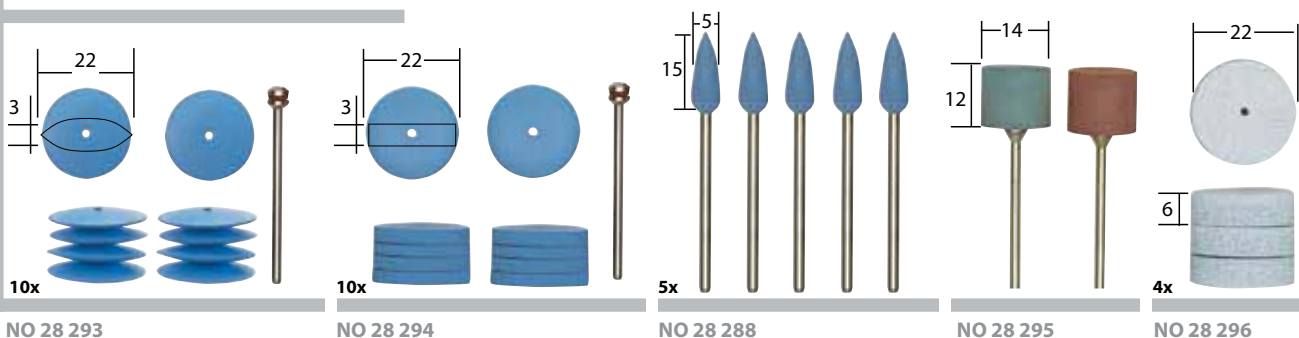
NO 28 962

Steel brushes, cups and wheels High quality components for best operation. For cleaning, removing rust, sanding, frosting, roughening, rounding-off, etc. of metal, cast iron, plastic, stone and wood. Shaft of \varnothing 2.35.

Brass brushes, cups and wheels Ideal for working on brass, brass alloys, copper, precious metals, semiprecious stones, plastic and wood. For cleaning of electronic components and circuit boards. Shaft of \varnothing 2.35.

Polishing agents

For
gold
stainless steel
porcelain



NO 28 293

NO 28 294

NO 28 288

NO 28 295

NO 28 296

Flexible silicon discs, wheels and bullets

Used for surface smoothing and polishing of precious metals, non-ferrous metals, high-grade metals, glass, porcelain, wood, rubber and plastic. The bullets are very suitable for working tough-to-reach insides. Shafts of \varnothing 2.35.

Flexible polishing pad set

Especially suitable for working gold, platinum, silver as well as for tool making and castings. Shafts of \varnothing 2.35.

10-piece wood router cutter set



One each: Slot cutter \varnothing 3.2 – 4.3 and 6.5, rounding over cutter \varnothing 6.4, V-slot cutter \varnothing 6.5, combi cutter 6.5/2.5, core box bit R 3.2, rebating cutter 6.4, edge cutter with pin 5, angle cutter 45°. Neatly packed in wooden box. You will find individual wood router cutters on page 35.

NO 29 020

Note:

The wolfram carbide rasp plate is ideal for wood carvers and as supplement to the motorised carving machine MSG in connection with our long-neck angle grinder LHW. Offer on page 8.

