

| | |
|----|--|
| 1 | |
| 2 | |
| 3 | |
| 4 | |
| 5 | |
| 6 | |
| 7 | |
| 8 | |
| 9 | |
| 10 | |
| 11 | |
| 12 | |
| 13 | |
| 14 | |
| 15 | |
| 16 | |
| 17 | |
| 18 | |

STANDARD EXECUTIONS

AISI 304 stainless steel pin and countersunk-head screw with hexagon socket.

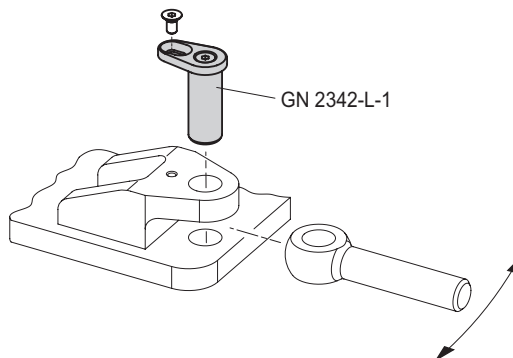
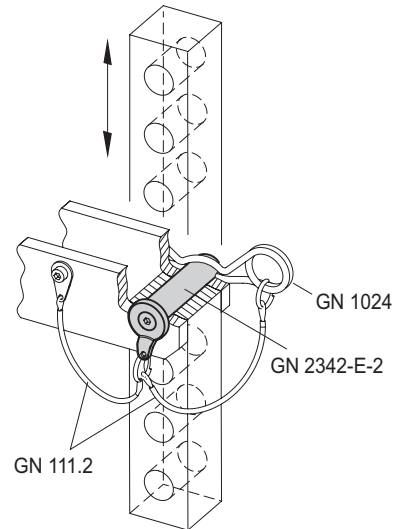
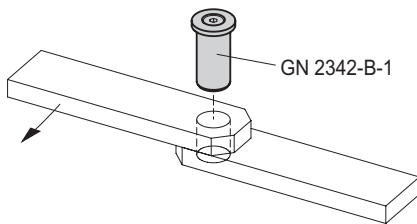
- **GN 2342-B-1**: with AISI 304 stainless steel flat retaining washer.
- **GN 2342-B-2**: with AISI 304 stainless steel flat retaining washer, and transversal hole for GN 1024 spring cotter pins.
- **GN 2342-E-1**: with AISI 316 LHC fusion stainless steel retaining washer with eyelet.
- **GN 2342-E-2**: with AISI 316 LHC fusion stainless steel retaining washer with eyelet, and transversal hole for GN 1024 spring cotter pins.
- **GN 2342-L-1**: with AISI 316 LHC sintered stainless steel slotted retaining washer.

FEATURES AND APPLICATIONS

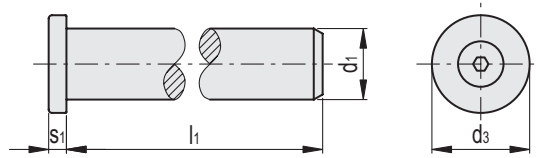
Three types of pins are available depending on the requirements:

- GN 2342-B: for normal use with locking function;
- GN 2342-E: for use with spring cotter pins GN 1024 (see page 919 which can be retained by means of retaining cables GN 111.2 (see page 817);
- GN 2342-L: clamping by means of countersunk head screws with the function of preventing loss and rotation.

The executions with suffix 2 have a transversal hole for the use of GN 1024 spring cotter pins, so as to avoid accidental loss of the pin.



GN 2342-B-1



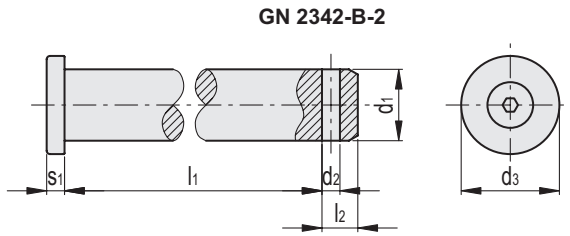
INOX STAINLESS STEEL

GN 2342-B-1

| Code | Description | d1 h9 | d3 | l1 | s1 | ⚖️ |
|----------|-----------------------|-------|----|-----|----|-----|
| GN.71101 | GN 2342-NI-8-16-B-1 | 8 | 12 | 16 | 3 | 10 |
| GN.71111 | GN 2342-NI-8-20-B-1 | 8 | 12 | 20 | 3 | 11 |
| GN.71121 | GN 2342-NI-8-24-B-1 | 8 | 12 | 24 | 3 | 13 |
| GN.71131 | GN 2342-NI-8-28-B-1 | 8 | 12 | 28 | 3 | 14 |
| GN.71141 | GN 2342-NI-8-30-B-1 | 8 | 12 | 30 | 3 | 15 |
| GN.71151 | GN 2342-NI-8-32-B-1 | 8 | 12 | 32 | 3 | 16 |
| GN.71161 | GN 2342-NI-8-35-B-1 | 8 | 12 | 35 | 3 | 17 |
| GN.71171 | GN 2342-NI-8-40-B-1 | 8 | 12 | 40 | 3 | 19 |
| GN.71181 | GN 2342-NI-8-45-B-1 | 8 | 12 | 45 | 3 | 21 |
| GN.71191 | GN 2342-NI-8-50-B-1 | 8 | 12 | 50 | 3 | 23 |
| GN.71201 | GN 2342-NI-8-55-B-1 | 8 | 12 | 55 | 3 | 25 |
| GN.71211 | GN 2342-NI-8-60-B-1 | 8 | 12 | 60 | 3 | 27 |
| GN.71231 | GN 2342-NI-10-20-B-1 | 10 | 15 | 20 | 3 | 17 |
| GN.71241 | GN 2342-NI-10-24-B-1 | 10 | 15 | 24 | 3 | 19 |
| GN.71251 | GN 2342-NI-10-30-B-1 | 10 | 15 | 30 | 3 | 23 |
| GN.71261 | GN 2342-NI-10-35-B-1 | 10 | 15 | 35 | 3 | 26 |
| GN.71271 | GN 2342-NI-10-40-B-1 | 10 | 15 | 40 | 3 | 29 |
| GN.71281 | GN 2342-NI-10-45-B-1 | 10 | 15 | 45 | 3 | 32 |
| GN.71291 | GN 2342-NI-10-50-B-1 | 10 | 15 | 50 | 3 | 36 |
| GN.71301 | GN 2342-NI-10-55-B-1 | 10 | 15 | 55 | 3 | 39 |
| GN.71311 | GN 2342-NI-10-60-B-1 | 10 | 15 | 60 | 3 | 42 |
| GN.71321 | GN 2342-NI-10-65-B-1 | 10 | 15 | 65 | 3 | 45 |
| GN.71331 | GN 2342-NI-10-70-B-1 | 10 | 15 | 70 | 3 | 48 |
| GN.71341 | GN 2342-NI-10-80-B-1 | 10 | 15 | 80 | 3 | 54 |
| GN.71361 | GN 2342-NI-12-20-B-1 | 12 | 17 | 20 | 4 | 25 |
| GN.71371 | GN 2342-NI-12-24-B-1 | 12 | 17 | 24 | 4 | 29 |
| GN.71381 | GN 2342-NI-12-30-B-1 | 12 | 17 | 30 | 4 | 34 |
| GN.71391 | GN 2342-NI-12-35-B-1 | 12 | 17 | 35 | 4 | 45 |
| GN.71401 | GN 2342-NI-12-40-B-1 | 12 | 17 | 40 | 4 | 42 |
| GN.71411 | GN 2342-NI-12-45-B-1 | 12 | 17 | 45 | 4 | 47 |
| GN.71421 | GN 2342-NI-12-50-B-1 | 12 | 17 | 50 | 4 | 51 |
| GN.71431 | GN 2342-NI-12-55-B-1 | 12 | 17 | 55 | 4 | 56 |
| GN.71441 | GN 2342-NI-12-60-B-1 | 12 | 17 | 60 | 4 | 61 |
| GN.71451 | GN 2342-NI-12-65-B-1 | 12 | 17 | 65 | 4 | 65 |
| GN.71461 | GN 2342-NI-12-70-B-1 | 12 | 17 | 70 | 4 | 70 |
| GN.71471 | GN 2342-NI-12-80-B-1 | 12 | 17 | 80 | 4 | 78 |
| GN.71501 | GN 2342-NI-16-32-B-1 | 16 | 22 | 32 | 4 | 62 |
| GN.71511 | GN 2342-NI-16-35-B-1 | 16 | 22 | 35 | 4 | 67 |
| GN.71521 | GN 2342-NI-16-40-B-1 | 16 | 22 | 40 | 4 | 74 |
| GN.71531 | GN 2342-NI-16-45-B-1 | 16 | 22 | 45 | 4 | 82 |
| GN.71541 | GN 2342-NI-16-50-B-1 | 16 | 22 | 50 | 4 | 90 |
| GN.71551 | GN 2342-NI-16-55-B-1 | 16 | 22 | 55 | 4 | 98 |
| GN.71561 | GN 2342-NI-16-60-B-1 | 16 | 22 | 60 | 4 | 106 |
| GN.71571 | GN 2342-NI-16-65-B-1 | 16 | 22 | 65 | 4 | 114 |
| GN.71581 | GN 2342-NI-16-70-B-1 | 16 | 22 | 70 | 4 | 122 |
| GN.71591 | GN 2342-NI-16-80-B-1 | 16 | 22 | 80 | 4 | 138 |
| GN.71601 | GN 2342-NI-16-90-B-1 | 16 | 22 | 90 | 4 | 154 |
| GN.71611 | GN 2342-NI-16-100-B-1 | 16 | 22 | 100 | 4 | 170 |
| GN.71631 | GN 2342-NI-20-40-B-1 | 20 | 26 | 40 | 4 | 115 |
| GN.71641 | GN 2342-NI-20-45-B-1 | 20 | 26 | 45 | 4 | 126 |
| GN.71651 | GN 2342-NI-20-50-B-1 | 20 | 26 | 50 | 4 | 138 |
| GN.71661 | GN 2342-NI-20-55-B-1 | 20 | 26 | 55 | 4 | 150 |
| GN.71671 | GN 2342-NI-20-60-B-1 | 20 | 26 | 60 | 4 | 163 |
| GN.71681 | GN 2342-NI-20-65-B-1 | 20 | 26 | 65 | 4 | 175 |
| GN.71691 | GN 2342-NI-20-70-B-1 | 20 | 26 | 70 | 4 | 188 |
| GN.71701 | GN 2342-NI-20-80-B-1 | 20 | 26 | 80 | 4 | 212 |
| GN.71711 | GN 2342-NI-20-90-B-1 | 20 | 26 | 90 | 4 | 237 |
| GN.71621 | GN 2342-NI-20-100-B-1 | 20 | 26 | 100 | 4 | 262 |



- 1
- 2
- 3
- 4
- 5
- 6
- 7
- 8
- 9
- 10
- 11
- 12
- 13
- 14
- 15
- 16
- 17
- 18



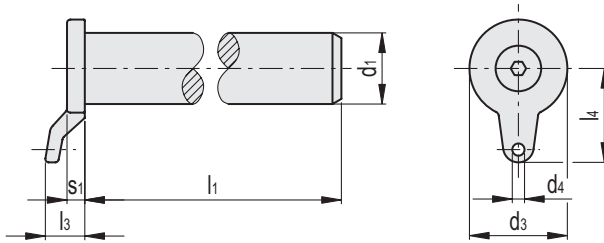
INOX STAINLESS STEEL

GN 2342-B-2

| Code | Description | d1 h9 | d2 | d3 | l1 | l2 | s1 | d2 Spring cotter pins | ⚖ |
|----------|-----------------------|-------|-----|----|-----|------|----|--------------------------|-----|
| GN.71103 | GN 2342-NI-8-16-B-2 | 8 | 2.5 | 12 | 16 | 5.5 | 3 | GN 1024-NI-2-D | 12 |
| GN.71113 | GN 2342-NI-8-20-B-2 | 8 | 2.5 | 12 | 20 | 5.5 | 3 | GN 1024-NI-2-D | 13 |
| GN.71123 | GN 2342-NI-8-24-B-2 | 8 | 2.5 | 12 | 24 | 5.5 | 3 | GN 1024-NI-2-D | 15 |
| GN.71133 | GN 2342-NI-8-28-B-2 | 8 | 2.5 | 12 | 28 | 5.5 | 3 | GN 1024-NI-2-D | 16 |
| GN.71143 | GN 2342-NI-8-30-B-2 | 8 | 2.5 | 12 | 30 | 5.5 | 3 | GN 1024-NI-2-D | 17 |
| GN.71153 | GN 2342-NI-8-32-B-2 | 8 | 2.5 | 12 | 32 | 5.5 | 3 | GN 1024-NI-2-D | 18 |
| GN.71163 | GN 2342-NI-8-35-B-2 | 8 | 2.5 | 12 | 35 | 5.5 | 3 | GN 1024-NI-2-D | 19 |
| GN.71173 | GN 2342-NI-8-40-B-2 | 8 | 2.5 | 12 | 40 | 5.5 | 3 | GN 1024-NI-2-D | 21 |
| GN.71183 | GN 2342-NI-8-45-B-2 | 8 | 2.5 | 12 | 45 | 5.5 | 3 | GN 1024-NI-2-D | 12 |
| GN.71193 | GN 2342-NI-8-50-B-2 | 8 | 2.5 | 12 | 50 | 5.5 | 3 | GN 1024-NI-2-D | 25 |
| GN.71203 | GN 2342-NI-8-55-B-2 | 8 | 2.5 | 12 | 55 | 5.5 | 3 | GN 1024-NI-2-D | 27 |
| GN.71213 | GN 2342-NI-8-60-B-2 | 8 | 2.5 | 12 | 60 | 5.5 | 3 | GN 1024-NI-2-D | 29 |
| GN.71233 | GN 2342-NI-10-20-B-2 | 10 | 2.5 | 15 | 20 | 6 | 3 | GN 1024-NI-2-E / -D | 21 |
| GN.71243 | GN 2342-NI-10-24-B-2 | 10 | 2.5 | 15 | 24 | 6 | 3 | GN 1024-NI-2-E / -D | 23 |
| GN.71253 | GN 2342-NI-10-30-B-2 | 10 | 2.5 | 15 | 30 | 6 | 3 | GN 1024-NI-2-E / -D | 27 |
| GN.71263 | GN 2342-NI-10-35-B-2 | 10 | 2.5 | 15 | 35 | 6 | 3 | GN 1024-NI-2-E / -D | 30 |
| GN.71273 | GN 2342-NI-10-40-B-2 | 10 | 2.5 | 15 | 40 | 6 | 3 | GN 1024-NI-2-E / -D | 33 |
| GN.71283 | GN 2342-NI-10-45-B-2 | 10 | 2.5 | 15 | 45 | 6 | 3 | GN 1024-NI-2-E / -D | 36 |
| GN.71293 | GN 2342-NI-10-50-B-2 | 10 | 2.5 | 15 | 50 | 6 | 3 | GN 1024-NI-2-E / -D | 39 |
| GN.71303 | GN 2342-NI-10-55-B-2 | 10 | 2.5 | 15 | 55 | 6 | 3 | GN 1024-NI-2-E / -D | 42 |
| GN.71313 | GN 2342-NI-10-60-B-2 | 10 | 2.5 | 15 | 60 | 6 | 3 | GN 1024-NI-2-E / -D | 44 |
| GN.71323 | GN 2342-NI-10-65-B-2 | 10 | 2.5 | 15 | 65 | 6 | 3 | GN 1024-NI-2-E / -D | 48 |
| GN.71333 | GN 2342-NI-10-70-B-2 | 10 | 2.5 | 15 | 70 | 6 | 3 | GN 1024-NI-2-E / -D | 51 |
| GN.71343 | GN 2342-NI-10-80-B-2 | 10 | 2.5 | 15 | 80 | 6 | 3 | GN 1024-NI-2-E / -D | 58 |
| GN.71363 | GN 2342-NI-12-20-B-2 | 12 | 2.5 | 17 | 20 | 7 | 4 | GN 1024-NI-2-E / -D | 30 |
| GN.71373 | GN 2342-NI-12-24-B-2 | 12 | 2.5 | 17 | 24 | 7 | 4 | GN 1024-NI-2-E / -D | 34 |
| GN.71383 | GN 2342-NI-12-30-B-2 | 12 | 2.5 | 17 | 30 | 7 | 4 | GN 1024-NI-2-E / -D | 39 |
| GN.71393 | GN 2342-NI-12-35-B-2 | 12 | 2.5 | 17 | 35 | 7 | 4 | GN 1024-NI-2-E / -D | 44 |
| GN.71403 | GN 2342-NI-12-40-B-2 | 12 | 2.5 | 17 | 40 | 7 | 4 | GN 1024-NI-2-E / -D | 48 |
| GN.71413 | GN 2342-NI-12-45-B-2 | 12 | 2.5 | 17 | 45 | 7 | 4 | GN 1024-NI-2-E / -D | 53 |
| GN.71423 | GN 2342-NI-12-50-B-2 | 12 | 2.5 | 17 | 50 | 7 | 4 | GN 1024-NI-2-E / -D | 57 |
| GN.71433 | GN 2342-NI-12-55-B-2 | 12 | 2.5 | 17 | 55 | 7 | 4 | GN 1024-NI-2-E / -D | 61 |
| GN.71443 | GN 2342-NI-12-60-B-2 | 12 | 2.5 | 17 | 60 | 7 | 4 | GN 1024-NI-2-E / -D | 66 |
| GN.71453 | GN 2342-NI-12-65-B-2 | 12 | 2.5 | 17 | 65 | 7 | 4 | GN 1024-NI-2-E / -D | 70 |
| GN.71463 | GN 2342-NI-12-70-B-2 | 12 | 2.5 | 17 | 70 | 7 | 4 | GN 1024-NI-2-E / -D | 75 |
| GN.71473 | GN 2342-NI-12-80-B-2 | 12 | 2.5 | 17 | 80 | 7 | 4 | GN 1024-NI-2-E / -D | 84 |
| GN.71503 | GN 2342-NI-16-32-B-2 | 16 | 3.5 | 22 | 32 | 8 | 4 | GN 1024-NI-3-E / -D | 73 |
| GN.71513 | GN 2342-NI-16-35-B-2 | 16 | 3.5 | 22 | 35 | 8 | 4 | GN 1024-NI-3-E / -D | 77 |
| GN.71523 | GN 2342-NI-16-40-B-2 | 16 | 3.5 | 22 | 40 | 8 | 4 | GN 1024-NI-3-E / -D | 85 |
| GN.71533 | GN 2342-NI-16-45-B-2 | 16 | 3.5 | 22 | 45 | 8 | 4 | GN 1024-NI-3-E / -D | 93 |
| GN.71543 | GN 2342-NI-16-50-B-2 | 16 | 3.5 | 22 | 50 | 8 | 4 | GN 1024-NI-3-E / -D | 101 |
| GN.71553 | GN 2342-NI-16-55-B-2 | 16 | 3.5 | 22 | 55 | 8 | 4 | GN 1024-NI-3-E / -D | 109 |
| GN.71563 | GN 2342-NI-16-60-B-2 | 16 | 3.5 | 22 | 60 | 8 | 4 | GN 1024-NI-3-E / -D | 117 |
| GN.71573 | GN 2342-NI-16-65-B-2 | 16 | 3.5 | 22 | 65 | 8 | 4 | GN 1024-NI-3-E / -D | 125 |
| GN.71583 | GN 2342-NI-16-70-B-2 | 16 | 3.5 | 22 | 70 | 8 | 4 | GN 1024-NI-3-E / -D | 133 |
| GN.71593 | GN 2342-NI-16-80-B-2 | 16 | 3.5 | 22 | 80 | 8 | 4 | GN 1024-NI-3-E / -D | 149 |
| GN.71603 | GN 2342-NI-16-90-B-2 | 16 | 3.5 | 22 | 90 | 8 | 4 | GN 1024-NI-3-E / -D | 165 |
| GN.71613 | GN 2342-NI-16-100-B-2 | 16 | 3.5 | 22 | 100 | 8 | 4 | GN 1024-NI-3-E / -D | 180 |
| GN.71633 | GN 2342-NI-20-40-B-2 | 20 | 4.5 | 26 | 40 | 10.5 | 4 | GN 1024-NI-4-E / -D | 136 |
| GN.71643 | GN 2342-NI-20-45-B-2 | 20 | 4.5 | 26 | 45 | 10.5 | 4 | GN 1024-NI-4-E / -D | 158 |
| GN.71653 | GN 2342-NI-20-50-B-2 | 20 | 4.5 | 26 | 50 | 10.5 | 4 | GN 1024-NI-4-E / -D | 161 |
| GN.71663 | GN 2342-NI-20-55-B-2 | 20 | 4.5 | 26 | 55 | 10.5 | 4 | GN 1024-NI-4-E / -D | 173 |
| GN.71673 | GN 2342-NI-20-60-B-2 | 20 | 4.5 | 26 | 60 | 10.5 | 4 | GN 1024-NI-4-E / -D | 186 |
| GN.71683 | GN 2342-NI-20-65-B-2 | 20 | 4.5 | 26 | 65 | 10.5 | 4 | GN 1024-NI-4-E / -D | 198 |
| GN.71693 | GN 2342-NI-20-70-B-2 | 20 | 4.5 | 26 | 70 | 10.5 | 4 | GN 1024-NI-4-E / -D | 211 |
| GN.71703 | GN 2342-NI-20-80-B-2 | 20 | 4.5 | 26 | 80 | 10.5 | 4 | GN 1024-NI-4-E / -D | 235 |
| GN.71713 | GN 2342-NI-20-90-B-2 | 20 | 4.5 | 26 | 90 | 10.5 | 4 | GN 1024-NI-4-E / -D | 260 |
| GN.71623 | GN 2342-NI-20-100-B-2 | 20 | 4.5 | 26 | 100 | 10.5 | 4 | GN 1024-NI-4-E / -D | 287 |

Indexing and positioning elements

GN 2342-E-1



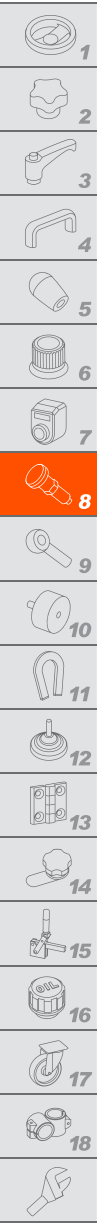
INOX STAINLESS STEEL

GN 2342-E-1

| Code | Description | d1 h9 | d3 | d4 | l1 | l3 | l4 | s1 | d4 Retaining cables | ⚖ |
|----------|-----------------------|-------|----|-----|-----|----|------|----|----------------------------|-----|
| GN.71105 | GN 2342-NI-8-16-E-1 | 8 | 12 | 2.5 | 16 | 7 | 13.5 | 3 | GN 111.2...-14 | 10 |
| GN.71115 | GN 2342-NI-8-20-E-1 | 8 | 12 | 2.5 | 20 | 7 | 13.5 | 3 | GN 111.2...-14 | 12 |
| GN.71125 | GN 2342-NI-8-24-E-1 | 8 | 12 | 2.5 | 24 | 7 | 13.5 | 3 | GN 111.2...-14 | 13 |
| GN.71135 | GN 2342-NI-8-28-E-1 | 8 | 12 | 2.5 | 28 | 7 | 13.5 | 3 | GN 111.2...-14 | 15 |
| GN.71145 | GN 2342-NI-8-30-E-1 | 8 | 12 | 2.5 | 30 | 7 | 13.5 | 3 | GN 111.2...-14 | 16 |
| GN.71155 | GN 2342-NI-8-32-E-1 | 8 | 12 | 2.5 | 32 | 7 | 13.5 | 3 | GN 111.2...-14 | 17 |
| GN.71165 | GN 2342-NI-8-35-E-1 | 8 | 12 | 2.5 | 35 | 7 | 13.5 | 3 | GN 111.2...-14 | 18 |
| GN.71175 | GN 2342-NI-8-40-E-1 | 8 | 12 | 2.5 | 40 | 7 | 13.5 | 3 | GN 111.2...-14 | 20 |
| GN.71185 | GN 2342-NI-8-45-E-1 | 8 | 12 | 2.5 | 45 | 7 | 13.5 | 3 | GN 111.2...-14 | 22 |
| GN.71195 | GN 2342-NI-8-50-E-1 | 8 | 12 | 2.5 | 50 | 7 | 13.5 | 3 | GN 111.2...-14 | 24 |
| GN.71205 | GN 2342-NI-8-55-E-1 | 8 | 12 | 2.5 | 55 | 7 | 13.5 | 3 | GN 111.2...-14 | 26 |
| GN.71215 | GN 2342-NI-8-60-E-1 | 8 | 12 | 2.5 | 60 | 7 | 13.5 | 3 | GN 111.2...-14 | 28 |
| GN.71235 | GN 2342-NI-10-20-E-1 | 10 | 15 | 2.5 | 20 | 7 | 15 | 3 | GN 111.2...-14 | 18 |
| GN.71245 | GN 2342-NI-10-24-E-1 | 10 | 15 | 2.5 | 24 | 7 | 15 | 3 | GN 111.2...-14 | 20 |
| GN.71255 | GN 2342-NI-10-30-E-1 | 10 | 15 | 2.5 | 30 | 7 | 15 | 3 | GN 111.2...-14 | 24 |
| GN.71265 | GN 2342-NI-10-35-E-1 | 10 | 15 | 2.5 | 35 | 7 | 15 | 3 | GN 111.2...-14 | 27 |
| GN.71275 | GN 2342-NI-10-40-E-1 | 10 | 15 | 2.5 | 40 | 7 | 15 | 3 | GN 111.2...-14 | 30 |
| GN.71285 | GN 2342-NI-10-45-E-1 | 10 | 15 | 2.5 | 45 | 7 | 15 | 3 | GN 111.2...-14 | 33 |
| GN.71295 | GN 2342-NI-10-50-E-1 | 10 | 15 | 2.5 | 50 | 7 | 15 | 3 | GN 111.2...-14 | 36 |
| GN.71305 | GN 2342-NI-10-55-E-1 | 10 | 15 | 2.5 | 55 | 7 | 15 | 3 | GN 111.2...-14 | 39 |
| GN.71315 | GN 2342-NI-10-60-E-1 | 10 | 15 | 2.5 | 60 | 7 | 15 | 3 | GN 111.2...-14 | 43 |
| GN.71325 | GN 2342-NI-10-65-E-1 | 10 | 15 | 2.5 | 65 | 7 | 15 | 3 | GN 111.2...-14 | 47 |
| GN.71335 | GN 2342-NI-10-70-E-1 | 10 | 15 | 2.5 | 70 | 7 | 15 | 3 | GN 111.2...-14 | 49 |
| GN.71345 | GN 2342-NI-10-80-E-1 | 10 | 15 | 2.5 | 80 | 7 | 15 | 3 | GN 111.2...-14 | 55 |
| GN.71365 | GN 2342-NI-12-20-E-1 | 12 | 17 | 3 | 20 | 9 | 18.5 | 4 | GN 111.2...-14 / -18 | 27 |
| GN.71375 | GN 2342-NI-12-24-E-1 | 12 | 17 | 3 | 24 | 9 | 18.5 | 4 | GN 111.2...-14 / -18 | 30 |
| GN.71385 | GN 2342-NI-12-30-E-1 | 12 | 17 | 3 | 30 | 9 | 18.5 | 4 | GN 111.2...-14 / -18 | 36 |
| GN.71395 | GN 2342-NI-12-35-E-1 | 12 | 17 | 3 | 35 | 9 | 18.5 | 4 | GN 111.2...-14 / -18 | 45 |
| GN.71405 | GN 2342-NI-12-40-E-1 | 12 | 17 | 3 | 40 | 9 | 18.5 | 4 | GN 111.2...-14 / -18 | 45 |
| GN.71415 | GN 2342-NI-12-45-E-1 | 12 | 17 | 3 | 45 | 9 | 18.5 | 4 | GN 111.2...-14 / -18 | 49 |
| GN.71425 | GN 2342-NI-12-50-E-1 | 12 | 17 | 3 | 50 | 9 | 18.5 | 4 | GN 111.2...-14 / -18 | 53 |
| GN.71435 | GN 2342-NI-12-55-E-1 | 12 | 17 | 3 | 55 | 9 | 18.5 | 4 | GN 111.2...-14 / -18 | 58 |
| GN.71445 | GN 2342-NI-12-60-E-1 | 12 | 17 | 3 | 60 | 9 | 18.5 | 4 | GN 111.2...-14 / -18 | 62 |
| GN.71455 | GN 2342-NI-12-65-E-1 | 12 | 17 | 3 | 65 | 9 | 18.5 | 4 | GN 111.2...-14 / -18 | 67 |
| GN.71465 | GN 2342-NI-12-70-E-1 | 12 | 17 | 3 | 70 | 9 | 18.5 | 4 | GN 111.2...-14 / -18 | 71 |
| GN.71475 | GN 2342-NI-12-80-E-1 | 12 | 17 | 3 | 80 | 9 | 18.5 | 4 | GN 111.2...-14 / -18 | 80 |
| GN.71505 | GN 2342-NI-16-32-E-1 | 16 | 22 | 3 | 32 | 9 | 21 | 4 | GN 111.2...-14 / -18 | 63 |
| GN.71515 | GN 2342-NI-16-35-E-1 | 16 | 22 | 3 | 35 | 9 | 21 | 4 | GN 111.2...-14 / -18 | 68 |
| GN.71525 | GN 2342-NI-16-40-E-1 | 16 | 22 | 3 | 40 | 9 | 21 | 4 | GN 111.2...-14 / -18 | 76 |
| GN.71535 | GN 2342-NI-16-45-E-1 | 16 | 22 | 3 | 45 | 9 | 21 | 4 | GN 111.2...-14 / -18 | 84 |
| GN.71545 | GN 2342-NI-16-50-E-1 | 16 | 22 | 3 | 50 | 9 | 21 | 4 | GN 111.2...-14 / -18 | 92 |
| GN.71555 | GN 2342-NI-16-55-E-1 | 16 | 22 | 3 | 55 | 9 | 21 | 4 | GN 111.2...-14 / -18 | 100 |
| GN.71565 | GN 2342-NI-16-60-E-1 | 16 | 22 | 3 | 60 | 9 | 21 | 4 | GN 111.2...-14 / -18 | 108 |
| GN.71575 | GN 2342-NI-16-65-E-1 | 16 | 22 | 3 | 65 | 9 | 21 | 4 | GN 111.2...-14 / -18 | 115 |
| GN.71585 | GN 2342-NI-16-70-E-1 | 16 | 22 | 3 | 70 | 9 | 21 | 4 | GN 111.2...-14 / -18 | 123 |
| GN.71595 | GN 2342-NI-16-80-E-1 | 16 | 22 | 3 | 80 | 9 | 21 | 4 | GN 111.2...-14 / -18 | 139 |
| GN.71605 | GN 2342-NI-16-90-E-1 | 16 | 22 | 3 | 90 | 9 | 21 | 4 | GN 111.2...-14 / -18 | 155 |
| GN.71615 | GN 2342-NI-16-100-E-1 | 16 | 22 | 3 | 100 | 9 | 21 | 4 | GN 111.2...-14 / -18 | 171 |
| GN.71635 | GN 2342-NI-20-40-E-1 | 20 | 26 | 3.5 | 40 | 9 | 24 | 4 | GN 111.2...-14 / -18 / -24 | 115 |
| GN.71645 | GN 2342-NI-20-45-E-1 | 20 | 26 | 3.5 | 45 | 9 | 24 | 4 | GN 111.2...-14 / -18 / -24 | 128 |
| GN.71655 | GN 2342-NI-20-50-E-1 | 20 | 26 | 3.5 | 50 | 9 | 24 | 4 | GN 111.2...-14 / -18 / -24 | 140 |
| GN.71665 | GN 2342-NI-20-55-E-1 | 20 | 26 | 3.5 | 55 | 9 | 24 | 4 | GN 111.2...-14 / -18 / -24 | 152 |
| GN.71675 | GN 2342-NI-20-60-E-1 | 20 | 26 | 3.5 | 60 | 9 | 24 | 4 | GN 111.2...-14 / -18 / -24 | 165 |
| GN.71685 | GN 2342-NI-20-65-E-1 | 20 | 26 | 3.5 | 65 | 9 | 24 | 4 | GN 111.2...-14 / -18 / -24 | 177 |
| GN.71695 | GN 2342-NI-20-70-E-1 | 20 | 26 | 3.5 | 70 | 9 | 24 | 4 | GN 111.2...-14 / -18 / -24 | 190 |
| GN.71705 | GN 2342-NI-20-80-E-1 | 20 | 26 | 3.5 | 80 | 9 | 24 | 4 | GN 111.2...-14 / -18 / -24 | 214 |
| GN.71715 | GN 2342-NI-20-90-E-1 | 20 | 26 | 3.5 | 90 | 9 | 24 | 4 | GN 111.2...-14 / -18 / -24 | 239 |
| GN.71625 | GN 2342-NI-20-100-E-1 | 20 | 26 | 3.5 | 100 | 9 | 24 | 4 | GN 111.2...-14 / -18 / -24 | 264 |

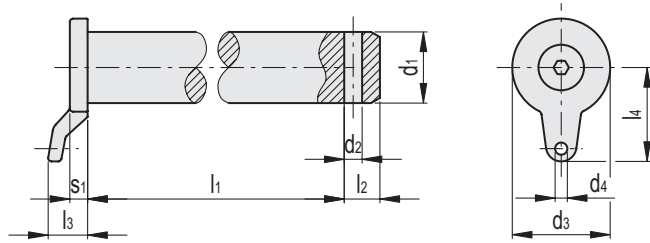


Indexing and positioning elements



Indexing and positioning elements

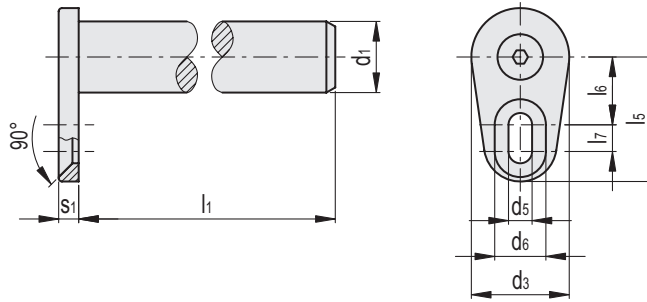
GN 2342-E-2



GN 2342-E-2

| Code | Description | d1 h9 | d2 | d3 | d4 | l1 | l2 | l3 | l4 | s1 | d2 Spring cotter pins | d4 Retaining cables | |
|----------|-----------------------|-------|-----|----|-----|-----|------|----|------|----|--------------------------|----------------------------|-----|
| GN.71107 | GN 2342-NI-8-16-E-2 | 8 | 2.5 | 12 | 2.5 | 16 | 5.5 | 7 | 13.5 | 3 | GN 1024-NI-2-D | GN 111.2...-14 | 12 |
| GN.71117 | GN 2342-NI-8-20-E-2 | 8 | 2.5 | 12 | 2.5 | 20 | 5.5 | 7 | 13.5 | 3 | GN 1024-NI-2-D | GN 111.2...-14 | 14 |
| GN.71127 | GN 2342-NI-8-24-E-2 | 8 | 2.5 | 12 | 2.5 | 24 | 5.5 | 7 | 13.5 | 3 | GN 1024-NI-2-D | GN 111.2...-14 | 15 |
| GN.71137 | GN 2342-NI-8-28-E-2 | 8 | 2.5 | 12 | 2.5 | 28 | 5.5 | 7 | 13.5 | 3 | GN 1024-NI-2-D | GN 111.2...-14 | 17 |
| GN.71147 | GN 2342-NI-8-30-E-2 | 8 | 2.5 | 12 | 2.5 | 30 | 5.5 | 7 | 13.5 | 3 | GN 1024-NI-2-D | GN 111.2...-14 | 16 |
| GN.71157 | GN 2342-NI-8-32-E-2 | 8 | 2.5 | 12 | 2.5 | 32 | 5.5 | 7 | 13.5 | 3 | GN 1024-NI-2-D | GN 111.2...-14 | 18 |
| GN.71167 | GN 2342-NI-8-35-E-2 | 8 | 2.5 | 12 | 2.5 | 35 | 5.5 | 7 | 13.5 | 3 | GN 1024-NI-2-D | GN 111.2...-14 | 20 |
| GN.71177 | GN 2342-NI-8-40-E-2 | 8 | 2.5 | 12 | 2.5 | 40 | 5.5 | 7 | 13.5 | 3 | GN 1024-NI-2-D | GN 111.2...-14 | 22 |
| GN.71187 | GN 2342-NI-8-45-E-2 | 8 | 2.5 | 12 | 2.5 | 45 | 5.5 | 7 | 13.5 | 3 | GN 1024-NI-2-D | GN 111.2...-14 | 24 |
| GN.71197 | GN 2342-NI-8-50-E-2 | 8 | 2.5 | 12 | 2.5 | 50 | 5.5 | 7 | 13.5 | 3 | GN 1024-NI-2-D | GN 111.2...-14 | 26 |
| GN.71207 | GN 2342-NI-8-55-E-2 | 8 | 2.5 | 12 | 2.5 | 55 | 5.5 | 7 | 13.5 | 3 | GN 1024-NI-2-D | GN 111.2...-14 | 27 |
| GN.71217 | GN 2342-NI-8-60-E-2 | 8 | 2.5 | 12 | 2.5 | 60 | 5.5 | 7 | 13.5 | 3 | GN 1024-NI-2-D | GN 111.2...-14 | 29 |
| GN.71237 | GN 2342-NI-10-20-E-2 | 10 | 2.5 | 15 | 2.5 | 20 | 6 | 7 | 15 | 3 | GN 1024-NI-2-E / -D | GN 111.2...-14 | 21 |
| GN.71247 | GN 2342-NI-10-24-E-2 | 10 | 2.5 | 15 | 2.5 | 24 | 6 | 7 | 15 | 3 | GN 1024-NI-2-E / -D | GN 111.2...-14 | 24 |
| GN.71257 | GN 2342-NI-10-30-E-2 | 10 | 2.5 | 15 | 2.5 | 30 | 6 | 7 | 15 | 3 | GN 1024-NI-2-E / -D | GN 111.2...-14 | 27 |
| GN.71267 | GN 2342-NI-10-35-E-2 | 10 | 2.5 | 15 | 2.5 | 35 | 6 | 7 | 15 | 3 | GN 1024-NI-2-E / -D | GN 111.2...-14 | 30 |
| GN.71277 | GN 2342-NI-10-40-E-2 | 10 | 2.5 | 15 | 2.5 | 40 | 6 | 7 | 15 | 3 | GN 1024-NI-2-E / -D | GN 111.2...-14 | 34 |
| GN.71287 | GN 2342-NI-10-45-E-2 | 10 | 2.5 | 15 | 2.5 | 45 | 6 | 7 | 15 | 3 | GN 1024-NI-2-E / -D | GN 111.2...-14 | 37 |
| GN.71297 | GN 2342-NI-10-50-E-2 | 10 | 2.5 | 15 | 2.5 | 50 | 6 | 7 | 15 | 3 | GN 1024-NI-2-E / -D | GN 111.2...-14 | 40 |
| GN.71307 | GN 2342-NI-10-55-E-2 | 10 | 2.5 | 15 | 2.5 | 55 | 6 | 7 | 15 | 3 | GN 1024-NI-2-E / -D | GN 111.2...-14 | 43 |
| GN.71317 | GN 2342-NI-10-60-E-2 | 10 | 2.5 | 15 | 2.5 | 60 | 6 | 7 | 15 | 3 | GN 1024-NI-2-E / -D | GN 111.2...-14 | 46 |
| GN.71327 | GN 2342-NI-10-65-E-2 | 10 | 2.5 | 15 | 2.5 | 65 | 6 | 7 | 15 | 3 | GN 1024-NI-2-E / -D | GN 111.2...-14 | 49 |
| GN.71337 | GN 2342-NI-10-70-E-2 | 10 | 2.5 | 15 | 2.5 | 70 | 6 | 7 | 15 | 3 | GN 1024-NI-2-E / -D | GN 111.2...-14 | 52 |
| GN.71347 | GN 2342-NI-10-80-E-2 | 10 | 2.5 | 15 | 2.5 | 80 | 6 | 7 | 15 | 3 | GN 1024-NI-2-E / -D | GN 111.2...-14 | 58 |
| GN.71367 | GN 2342-NI-12-20-E-2 | 12 | 2.5 | 17 | 3 | 20 | 7 | 9 | 18.5 | 4 | GN 1024-NI-2-E / -D | GN 111.2...-14 / -18 | 32 |
| GN.71377 | GN 2342-NI-12-24-E-2 | 12 | 2.5 | 17 | 3 | 24 | 7 | 9 | 18.5 | 4 | GN 1024-NI-2-E / -D | GN 111.2...-14 / -18 | 36 |
| GN.71387 | GN 2342-NI-12-30-E-2 | 12 | 2.5 | 17 | 3 | 30 | 7 | 9 | 18.5 | 4 | GN 1024-NI-2-E / -D | GN 111.2...-14 / -18 | 41 |
| GN.71397 | GN 2342-NI-12-35-E-2 | 12 | 2.5 | 17 | 3 | 35 | 7 | 9 | 18.5 | 4 | GN 1024-NI-2-E / -D | GN 111.2...-14 / -18 | 45 |
| GN.71407 | GN 2342-NI-12-40-E-2 | 12 | 2.5 | 17 | 3 | 40 | 7 | 9 | 18.5 | 4 | GN 1024-NI-2-E / -D | GN 111.2...-14 / -18 | 50 |
| GN.71417 | GN 2342-NI-12-45-E-2 | 12 | 2.5 | 17 | 3 | 45 | 7 | 9 | 18.5 | 4 | GN 1024-NI-2-E / -D | GN 111.2...-14 / -18 | 54 |
| GN.71427 | GN 2342-NI-12-50-E-2 | 12 | 2.5 | 17 | 3 | 50 | 7 | 9 | 18.5 | 4 | GN 1024-NI-2-E / -D | GN 111.2...-14 / -18 | 59 |
| GN.71437 | GN 2342-NI-12-55-E-2 | 12 | 2.5 | 17 | 3 | 55 | 7 | 9 | 18.5 | 4 | GN 1024-NI-2-E / -D | GN 111.2...-14 / -18 | 63 |
| GN.71447 | GN 2342-NI-12-60-E-2 | 12 | 2.5 | 17 | 3 | 60 | 7 | 9 | 18.5 | 4 | GN 1024-NI-2-E / -D | GN 111.2...-14 / -18 | 68 |
| GN.71457 | GN 2342-NI-12-65-E-2 | 12 | 2.5 | 17 | 3 | 65 | 7 | 9 | 18.5 | 4 | GN 1024-NI-2-E / -D | GN 111.2...-14 / -18 | 72 |
| GN.71467 | GN 2342-NI-12-70-E-2 | 12 | 2.5 | 17 | 3 | 70 | 7 | 9 | 18.5 | 4 | GN 1024-NI-2-E / -D | GN 111.2...-14 / -18 | 76 |
| GN.71477 | GN 2342-NI-12-80-E-2 | 12 | 2.5 | 17 | 3 | 80 | 7 | 9 | 18.5 | 4 | GN 1024-NI-2-E / -D | GN 111.2...-14 / -18 | 84 |
| GN.71507 | GN 2342-NI-16-32-E-2 | 16 | 3.5 | 22 | 3 | 32 | 8 | 9 | 21 | 4 | GN 1024-NI-3-E / -D | GN 111.2...-14 / -18 | 74 |
| GN.71517 | GN 2342-NI-16-35-E-2 | 16 | 3.5 | 22 | 3 | 35 | 8 | 9 | 21 | 4 | GN 1024-NI-3-E / -D | GN 111.2...-14 / -18 | 79 |
| GN.71527 | GN 2342-NI-16-40-E-2 | 16 | 3.5 | 22 | 3 | 40 | 8 | 9 | 21 | 4 | GN 1024-NI-3-E / -D | GN 111.2...-14 / -18 | 87 |
| GN.71537 | GN 2342-NI-16-45-E-2 | 16 | 3.5 | 22 | 3 | 45 | 8 | 9 | 21 | 4 | GN 1024-NI-3-E / -D | GN 111.2...-14 / -18 | 95 |
| GN.71547 | GN 2342-NI-16-50-E-2 | 16 | 3.5 | 22 | 3 | 50 | 8 | 9 | 21 | 4 | GN 1024-NI-3-E / -D | GN 111.2...-14 / -18 | 103 |
| GN.71557 | GN 2342-NI-16-55-E-2 | 16 | 3.5 | 22 | 3 | 55 | 8 | 9 | 21 | 4 | GN 1024-NI-3-E / -D | GN 111.2...-14 / -18 | 110 |
| GN.71567 | GN 2342-NI-16-60-E-2 | 16 | 3.5 | 22 | 3 | 60 | 8 | 9 | 21 | 4 | GN 1024-NI-3-E / -D | GN 111.2...-14 / -18 | 119 |
| GN.71577 | GN 2342-NI-16-65-E-2 | 16 | 3.5 | 22 | 3 | 65 | 8 | 9 | 21 | 4 | GN 1024-NI-3-E / -D | GN 111.2...-14 / -18 | 126 |
| GN.71587 | GN 2342-NI-16-70-E-2 | 16 | 3.5 | 22 | 3 | 70 | 8 | 9 | 21 | 4 | GN 1024-NI-3-E / -D | GN 111.2...-14 / -18 | 135 |
| GN.71597 | GN 2342-NI-16-80-E-2 | 16 | 3.5 | 22 | 3 | 80 | 8 | 9 | 21 | 4 | GN 1024-NI-3-E / -D | GN 111.2...-14 / -18 | 150 |
| GN.71607 | GN 2342-NI-16-90-E-2 | 16 | 3.5 | 22 | 3 | 90 | 8 | 9 | 21 | 4 | GN 1024-NI-3-E / -D | GN 111.2...-14 / -18 | 166 |
| GN.71617 | GN 2342-NI-16-100-E-2 | 16 | 3.5 | 22 | 3 | 100 | 8 | 9 | 21 | 4 | GN 1024-NI-3-E / -D | GN 111.2...-14 / -18 | 182 |
| GN.71637 | GN 2342-NI-20-40-E-2 | 20 | 4.5 | 26 | 3.5 | 40 | 10.5 | 9 | 24 | 4 | GN 1024-NI-4-E / -D | GN 111.2...-14 / -18 / -24 | 138 |
| GN.71647 | GN 2342-NI-20-45-E-2 | 20 | 4.5 | 26 | 3.5 | 45 | 10.5 | 9 | 24 | 4 | GN 1024-NI-4-E / -D | GN 111.2...-14 / -18 / -24 | 160 |
| GN.71657 | GN 2342-NI-20-50-E-2 | 20 | 4.5 | 26 | 3.5 | 50 | 10.5 | 9 | 24 | 4 | GN 1024-NI-4-E / -D | GN 111.2...-14 / -18 / -24 | 163 |
| GN.71667 | GN 2342-NI-20-55-E-2 | 20 | 4.5 | 26 | 3.5 | 55 | 10.5 | 9 | 24 | 4 | GN 1024-NI-4-E / -D | GN 111.2...-14 / -18 / -24 | 175 |
| GN.71677 | GN 2342-NI-20-60-E-2 | 20 | 4.5 | 26 | 3.5 | 60 | 10.5 | 9 | 24 | 4 | GN 1024-NI-4-E / -D | GN 111.2...-14 / -18 / -24 | 187 |
| GN.71687 | GN 2342-NI-20-65-E-2 | 20 | 4.5 | 26 | 3.5 | 65 | 10.5 | 9 | 24 | 4 | GN 1024-NI-4-E / -D | GN 111.2...-14 / -18 / -24 | 200 |
| GN.71697 | GN 2342-NI-20-70-E-2 | 20 | 4.5 | 26 | 3.5 | 70 | 10.5 | 9 | 24 | 4 | GN 1024-NI-4-E / -D | GN 111.2...-14 / -18 / -24 | 213 |
| GN.71707 | GN 2342-NI-20-80-E-2 | 20 | 4.5 | 26 | 3.5 | 80 | 10.5 | 9 | 24 | 4 | GN 1024-NI-4-E / -D | GN 111.2...-14 / -18 / -24 | 237 |
| GN.71717 | GN 2342-NI-20-90-E-2 | 20 | 4.5 | 26 | 3.5 | 90 | 10.5 | 9 | 24 | 4 | GN 1024-NI-4-E / -D | GN 111.2...-14 / -18 / -24 | 262 |
| GN.71627 | GN 2342-NI-20-100-E-2 | 20 | 4.5 | 26 | 3.5 | 100 | 10.5 | 9 | 24 | 4 | GN 1024-NI-4-E / -D | GN 111.2...-14 / -18 / -24 | 286 |

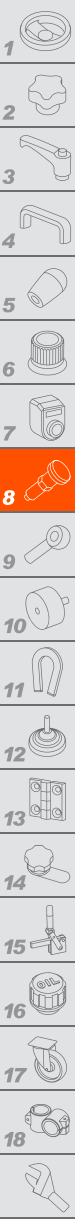
GN 2342-L-1



INOX STAINLESS STEEL

GN 2342-L-1

| Code | Description | d1 H9 | d3 | d5 | d6 | l1 | l5 | l6 | l7 | s1 | ⚖️ |
|----------|-----------------------|-------|----|-----|------|-----|----|----|----|-----|-----|
| GN.71109 | GN 2342-NI-8-16-L-1 | 8 | 12 | 4.3 | 9.2 | 16 | 18 | 10 | 2 | 4 | 13 |
| GN.71119 | GN 2342-NI-8-20-L-1 | 8 | 12 | 4.3 | 9.2 | 20 | 18 | 10 | 2 | 4 | 14 |
| GN.71129 | GN 2342-NI-8-24-L-1 | 8 | 12 | 4.3 | 9.2 | 24 | 18 | 10 | 2 | 4 | 16 |
| GN.71139 | GN 2342-NI-8-28-L-1 | 8 | 12 | 4.3 | 9.2 | 28 | 18 | 10 | 2 | 4 | 18 |
| GN.71149 | GN 2342-NI-8-30-L-1 | 8 | 12 | 4.3 | 9.2 | 30 | 18 | 10 | 2 | 4 | 18 |
| GN.71159 | GN 2342-NI-8-32-L-1 | 8 | 12 | 4.3 | 9.2 | 32 | 18 | 10 | 2 | 4 | 19 |
| GN.71169 | GN 2342-NI-8-35-L-1 | 8 | 12 | 4.3 | 9.2 | 35 | 18 | 10 | 2 | 4 | 20 |
| GN.71179 | GN 2342-NI-8-40-L-1 | 8 | 12 | 4.3 | 9.2 | 40 | 18 | 10 | 2 | 4 | 22 |
| GN.71189 | GN 2342-NI-8-45-L-1 | 8 | 12 | 4.3 | 9.2 | 45 | 18 | 10 | 2 | 4 | 24 |
| GN.71199 | GN 2342-NI-8-50-L-1 | 8 | 12 | 4.3 | 9.2 | 50 | 18 | 10 | 2 | 4 | 26 |
| GN.71209 | GN 2342-NI-8-55-L-1 | 8 | 12 | 4.3 | 9.2 | 55 | 18 | 10 | 2 | 4 | 28 |
| GN.71219 | GN 2342-NI-8-60-L-1 | 8 | 12 | 4.3 | 9.2 | 60 | 18 | 10 | 2 | 4 | 30 |
| GN.71239 | GN 2342-NI-10-20-L-1 | 10 | 15 | 4.3 | 9.2 | 20 | 21 | 11 | 4 | 4 | 21 |
| GN.71249 | GN 2342-NI-10-24-L-1 | 10 | 15 | 4.3 | 9.2 | 24 | 21 | 11 | 4 | 4 | 24 |
| GN.71259 | GN 2342-NI-10-30-L-1 | 10 | 15 | 4.3 | 9.2 | 30 | 21 | 11 | 4 | 4 | 27 |
| GN.71269 | GN 2342-NI-10-35-L-1 | 10 | 15 | 4.3 | 9.2 | 35 | 21 | 11 | 4 | 4 | 30 |
| GN.71279 | GN 2342-NI-10-40-L-1 | 10 | 15 | 4.3 | 9.2 | 40 | 21 | 11 | 4 | 4 | 34 |
| GN.71289 | GN 2342-NI-10-45-L-1 | 10 | 15 | 4.3 | 9.2 | 45 | 21 | 11 | 4 | 4 | 37 |
| GN.71299 | GN 2342-NI-10-50-L-1 | 10 | 15 | 4.3 | 9.2 | 50 | 21 | 11 | 4 | 4 | 43 |
| GN.71309 | GN 2342-NI-10-55-L-1 | 10 | 15 | 4.3 | 9.2 | 55 | 21 | 11 | 4 | 4 | 40 |
| GN.71319 | GN 2342-NI-10-60-L-1 | 10 | 15 | 4.3 | 9.2 | 60 | 21 | 11 | 4 | 4 | 46 |
| GN.71329 | GN 2342-NI-10-65-L-1 | 10 | 15 | 4.3 | 9.2 | 65 | 21 | 11 | 4 | 4 | 49 |
| GN.71339 | GN 2342-NI-10-70-L-1 | 10 | 15 | 4.3 | 9.2 | 70 | 21 | 11 | 4 | 4 | 52 |
| GN.71349 | GN 2342-NI-10-80-L-1 | 10 | 15 | 4.3 | 9.2 | 80 | 21 | 11 | 4 | 4 | 58 |
| GN.71369 | GN 2342-NI-12-20-L-1 | 12 | 17 | 5.3 | 11.5 | 20 | 23 | 12 | 4 | 4.5 | 35 |
| GN.71379 | GN 2342-NI-12-24-L-1 | 12 | 17 | 5.3 | 11.5 | 24 | 23 | 12 | 4 | 4.5 | 33 |
| GN.71389 | GN 2342-NI-12-30-L-1 | 12 | 17 | 5.3 | 11.5 | 30 | 23 | 12 | 4 | 4.5 | 39 |
| GN.71399 | GN 2342-NI-12-35-L-1 | 12 | 17 | 5.3 | 11.5 | 35 | 23 | 12 | 4 | 4.5 | 43 |
| GN.71409 | GN 2342-NI-12-40-L-1 | 12 | 17 | 5.3 | 11.5 | 40 | 23 | 12 | 4 | 4.5 | 48 |
| GN.71419 | GN 2342-NI-12-45-L-1 | 12 | 17 | 5.3 | 11.5 | 45 | 23 | 12 | 4 | 4.5 | 53 |
| GN.71429 | GN 2342-NI-12-50-L-1 | 12 | 17 | 5.3 | 11.5 | 50 | 23 | 12 | 4 | 4.5 | 51 |
| GN.71439 | GN 2342-NI-12-55-L-1 | 12 | 17 | 5.3 | 11.5 | 55 | 23 | 12 | 4 | 4.5 | 61 |
| GN.71449 | GN 2342-NI-12-60-L-1 | 12 | 17 | 5.3 | 11.5 | 60 | 23 | 12 | 4 | 4.5 | 65 |
| GN.71459 | GN 2342-NI-12-65-L-1 | 12 | 17 | 5.3 | 11.5 | 65 | 23 | 12 | 4 | 4.5 | 70 |
| GN.71469 | GN 2342-NI-12-70-L-1 | 12 | 17 | 5.3 | 11.5 | 70 | 23 | 12 | 4 | 4.5 | 74 |
| GN.71479 | GN 2342-NI-12-80-L-1 | 12 | 17 | 5.3 | 11.5 | 80 | 23 | 12 | 4 | 4.5 | 83 |
| GN.71509 | GN 2342-NI-16-32-L-1 | 16 | 22 | 5.3 | 11.5 | 32 | 28 | 15 | 6 | 4.5 | 68 |
| GN.71519 | GN 2342-NI-16-35-L-1 | 16 | 22 | 5.3 | 11.5 | 35 | 28 | 15 | 6 | 4.5 | 72 |
| GN.71529 | GN 2342-NI-16-40-L-1 | 16 | 22 | 5.3 | 11.5 | 40 | 28 | 15 | 6 | 4.5 | 80 |
| GN.71539 | GN 2342-NI-16-45-L-1 | 16 | 22 | 5.3 | 11.5 | 45 | 28 | 15 | 6 | 4.5 | 88 |
| GN.71549 | GN 2342-NI-16-50-L-1 | 16 | 22 | 5.3 | 11.5 | 50 | 28 | 15 | 6 | 4.5 | 96 |
| GN.71559 | GN 2342-NI-16-55-L-1 | 16 | 22 | 5.3 | 11.5 | 55 | 28 | 15 | 6 | 4.5 | 106 |
| GN.71569 | GN 2342-NI-16-60-L-1 | 16 | 22 | 5.3 | 11.5 | 60 | 28 | 15 | 6 | 4.5 | 112 |
| GN.71579 | GN 2342-NI-16-65-L-1 | 16 | 22 | 5.3 | 11.5 | 65 | 28 | 15 | 6 | 4.5 | 120 |
| GN.71589 | GN 2342-NI-16-70-L-1 | 16 | 22 | 5.3 | 11.5 | 70 | 28 | 15 | 6 | 4.5 | 128 |
| GN.71599 | GN 2342-NI-16-80-L-1 | 16 | 22 | 5.3 | 11.5 | 80 | 28 | 15 | 6 | 4.5 | 144 |
| GN.71609 | GN 2342-NI-16-90-L-1 | 16 | 22 | 5.3 | 11.5 | 90 | 28 | 15 | 6 | 4.5 | 160 |
| GN.71619 | GN 2342-NI-16-100-L-1 | 16 | 22 | 5.3 | 11.5 | 100 | 28 | 15 | 6 | 4.5 | 176 |
| GN.71639 | GN 2342-NI-20-40-L-1 | 20 | 26 | 6.4 | 13.7 | 40 | 31 | 17 | 6 | 5 | 124 |
| GN.71649 | GN 2342-NI-20-45-L-1 | 20 | 26 | 6.4 | 13.7 | 45 | 31 | 17 | 6 | 5 | 137 |
| GN.71659 | GN 2342-NI-20-50-L-1 | 20 | 26 | 6.4 | 13.7 | 50 | 31 | 17 | 6 | 5 | 149 |
| GN.71669 | GN 2342-NI-20-55-L-1 | 20 | 26 | 6.4 | 13.7 | 55 | 31 | 17 | 6 | 5 | 161 |
| GN.71679 | GN 2342-NI-20-60-L-1 | 20 | 26 | 6.4 | 13.7 | 60 | 31 | 17 | 6 | 5 | 175 |
| GN.71689 | GN 2342-NI-20-65-L-1 | 20 | 26 | 6.4 | 13.7 | 65 | 31 | 17 | 6 | 5 | 186 |
| GN.71699 | GN 2342-NI-20-70-L-1 | 20 | 26 | 6.4 | 13.7 | 70 | 31 | 17 | 6 | 5 | 199 |
| GN.71709 | GN 2342-NI-20-80-L-1 | 20 | 26 | 6.4 | 13.7 | 80 | 31 | 17 | 6 | 5 | 223 |
| GN.71719 | GN 2342-NI-20-90-L-1 | 20 | 26 | 6.4 | 13.7 | 90 | 31 | 17 | 6 | 5 | 248 |
| GN.71629 | GN 2342-NI-20-100-L-1 | 20 | 26 | 6.4 | 13.7 | 100 | 31 | 17 | 6 | 5 | 273 |



Indexing and positioning elements