

GN 743.2 | Oil level indicators

Brass



- 1
- 2
- 3
- 4
- 5
- 6
- 7
- 8
- 9
- 10
- 11
- 12
- 13
- 14
- 15
- 16
- 17
- 18

MATERIAL

Brass.

WINDOW

Natural glass.

PACKING RING

NBR synthetic rubber.

STANDARD EXECUTIONS

- **GN 743.2-A:** with technopolymer (polysulfone) contrast screen.
- **GN 743.2-B:** without contrast screen.

MAXIMUM CONTINUOUS WORKING TEMPERATURE

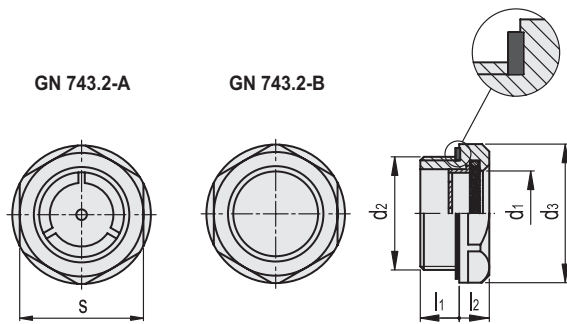
100°C.

FEATURES AND APPLICATIONS

GN 743.2 oil level indicators can be used on pressurised oil tanks (oil-proof resistance data available on request). The seal between the brass body and the glass window is guaranteed by a packing ring in NBR synthetic rubber.

ACCESSORIES ON REQUEST

Brass nuts with Gas threadings, type GH. (see page 1574) for fitting to reservoirs with wall thickness smaller than 5 mm.



GN 743.2-A

Code	Description	d1	d2	d3	l1	l2	s	△△
GN.37421	GN 743.2-11-M16x1.5-A	11	M16x1.5	22	8	7.5	20	19
GN.37425	GN 743.2-14-M20x1.5-A	14	M20x1.5	26	8.5	7.5	23	23
GN.37430	GN 743.2-18-M26x1.5-A	18	M26x1.5	32	9	8	30	44
GN.37431	GN 743.2-18-M27x1.5-A	18	M27x1.5	32	9	8	30	46
GN.37436	GN 743.2-24-M33x1.5-A	24	M33x1.5	40	11	8.5	36	70
GN.37423	GN 743.2-11-G3/8-A	11	G 3/8	22	8	7.5	20	20
GN.37427	GN 743.2-14-G1/2-A	14	G 1/2	26	8.5	7.5	23	23
GN.37434	GN 743.2-18-G3/4-A	18	G 3/4	32	9	8	30	44
GN.37438	GN 743.2-24-G1-A	24	G 1	40	11	8.5	36	69

GN 743.2-B

Code	Description	d1	d2	d3	l1	l2	s	△△
GN.37422	GN 743.2-11-M16x1.5-B	11	M16x1.5	22	8	7.5	20	19
GN.37426	GN 743.2-14-M20x1.5-B	14	M20x1.5	26	8.5	7.5	23	23
GN.37432	GN 743.2-18-M26x1.5-B	18	M26x1.5	32	9	8	30	44
GN.37433	GN 743.2-18-M27x1.5-B	18	M27x1.5	32	9	8	30	46
GN.37437	GN 743.2-24-M33x1.5-B	24	M33x1.5	40	11	8.5	36	70
GN.37424	GN 743.2-11-G3/8-B	11	G 3/8	22	8	7.5	20	20
GN.37428	GN 743.2-14-G1/2-B	14	G 1/2	26	8.5	7.5	23	23
GN.37435	GN 743.2-18-G3/4-B	18	G 3/4	32	9	8	30	44
GN.37439	GN 743.2-24-G1-B	24	G 1	40	11	8.5	36	69

Accessories for hydraulic systems