

200 x 100 x 30 cm.

78,7" x 39,4" x 11.8"

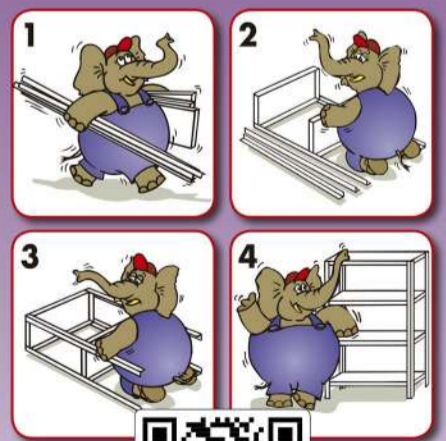
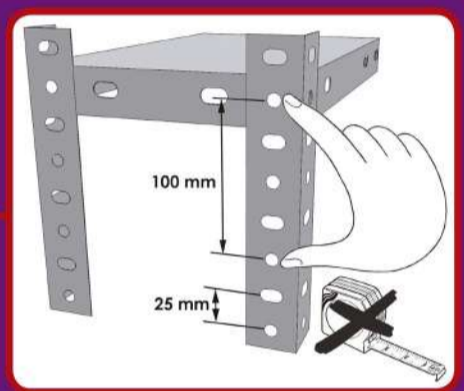


Advantage PLUS 5/300

Simon Rack



375 kg
(827 lb)
Total



*MEDIDAS EN USO USED MEASUREMENTS
 MASSNAHMEN IM EINSATZ MESURES EN EMPLOI MEDIDAS EM USO:
 1985 x 1010 x 310 mm (78,15" x 39,76" x 12,20")



www.simonrack.com



INSTRUCTIONS

