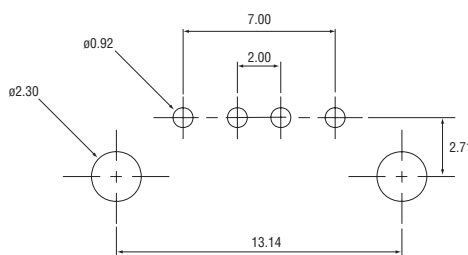
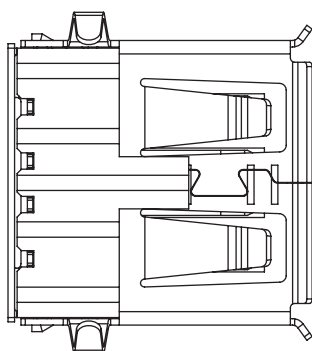
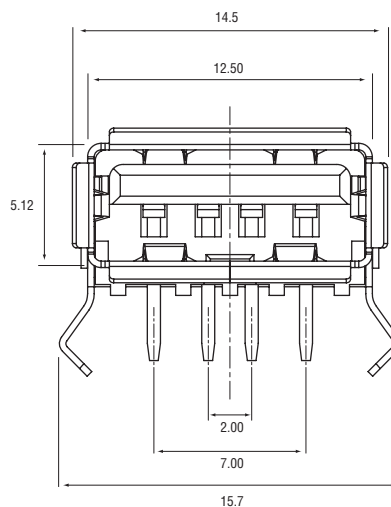
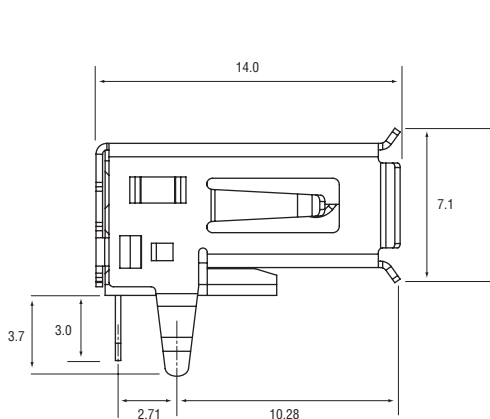
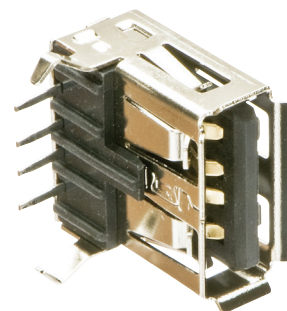


1. Specifications:

Contact resistance: 30mΩ max.
 Insulation resistance: 1000MΩ min. DC 500V Current rating: 1.5A
 Voltage rating: 30V AC/DC
 Dielectric strength: AC 500V for 1 minute

2. Materials:

Housing: PBT + 30% glass fiber (UL 94 - 0)
 Contact: Copper alloy
 Shell: Copper alloy



Recommend PCN Layout
(Tolerance=±0.05)