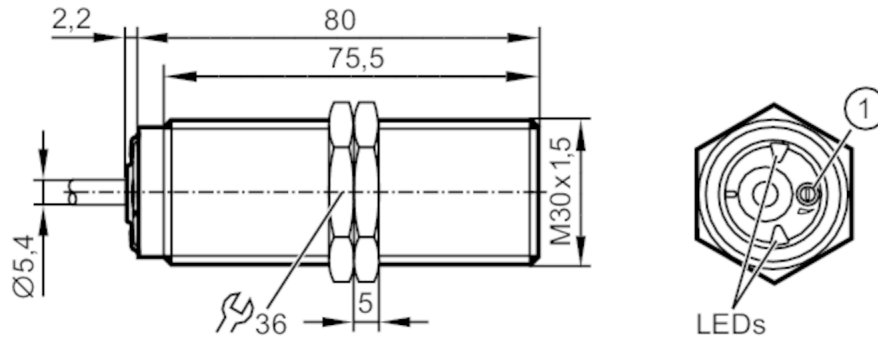


DI5026



Compact evaluation unit for speed monitoring

DIA3010-WRKG/IO



1 potentiometer



Product characteristics

| | |
|-------------------------|--|
| Electrical design | PNP/NPN |
| Output function | normally open / normally closed; (parameterisable) |
| Sensing range [mm] | 10 |
| Communication interface | IO-Link |
| Housing | threaded type |
| Dimensions [mm] | M30 x 1.5 / L = 80 |

Application

| | |
|-------------|---|
| Application | simple evaluation of rotating and linear movement with regard to underspeed; blocking |
|-------------|---|

Electrical data

| | |
|-----------------------------|---------|
| Nominal voltage DC [V] | 10...36 |
| Current consumption [mA] | < 22 |
| Protection class | III |
| Reverse polarity protection | yes |

Outputs

| | |
|--|--|
| Electrical design | PNP/NPN |
| Output function | normally open / normally closed; (parameterisable) |
| Max. voltage drop switching output DC [V] | 2.5 |
| Permanent current rating of switching output DC [mA] | 250 |
| Short-time current rating of switching output [mA] | 250 |
| Short-circuit proof | yes |
| Overload protection | yes |

Detection zone

| | |
|--------------------------|---------|
| Sensing range [mm] | 10 |
| Sensing range adjustable | no |
| Operating distance [mm] | 0...8.1 |

Measuring/setting range

| | |
|-------------------------|----------|
| Setting range [Imp/min] | 5...3600 |
|-------------------------|----------|

DI5026



Compact evaluation unit for speed monitoring

DIA3010-WRKG/IO

| Accuracy / deviations | | |
|----------------------------------|---|----------------|
| Correction factor | steel: 1 / stainless steel: 0.7 / brass: 0.5 / aluminium: 0.4 / copper: 0.3 | |
| Hysteresis [% of Sr] | 10 | |
| Response times | | |
| Start-up delay [s] | 0...30 | |
| Max. damping frequency [Imp/min] | 18000 | |
| Software / programming | | |
| Adjustment of the switch point | Multiturn potentiometer or IO-Link | |
| Interfaces | | |
| Communication interface | IO-Link | |
| Operating conditions | | |
| Ambient temperature [°C] | -25...80 | |
| Storage temperature [°C] | -25...80 | |
| Protection | IP 65; IP 67 | |
| Tests / approvals | | |
| MTTF [years] | 656 | |
| Mechanical data | | |
| Weight [g] | 302.5 | |
| Housing | threaded type | |
| Mounting | flush mountable | |
| Dimensions [mm] | M30 x 1.5 / L = 80 | |
| Thread designation | M30 x 1.5 | |
| Materials | brass special coating; PA; TPE-U | |
| Tightening torque [Nm] | 50 | |
| Displays / operating elements | | |
| Display | switching status | 1 x LED, green |
| Accessories | | |
| Accessories (supplied) | lock nuts: 2 | |

DI5026



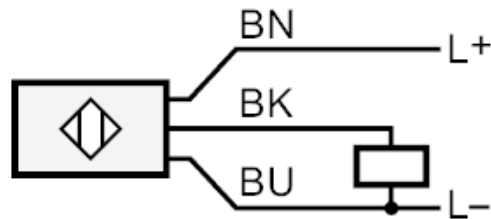
Compact evaluation unit for speed monitoring

DIA3010-WRKG/IO

Electrical connection

Cable: 2 m, PUR; 3 x 0.5 mm²

Connection



BK: OUT / IO-Link

Core colours :

BK = black

BN = brown

BU = blue