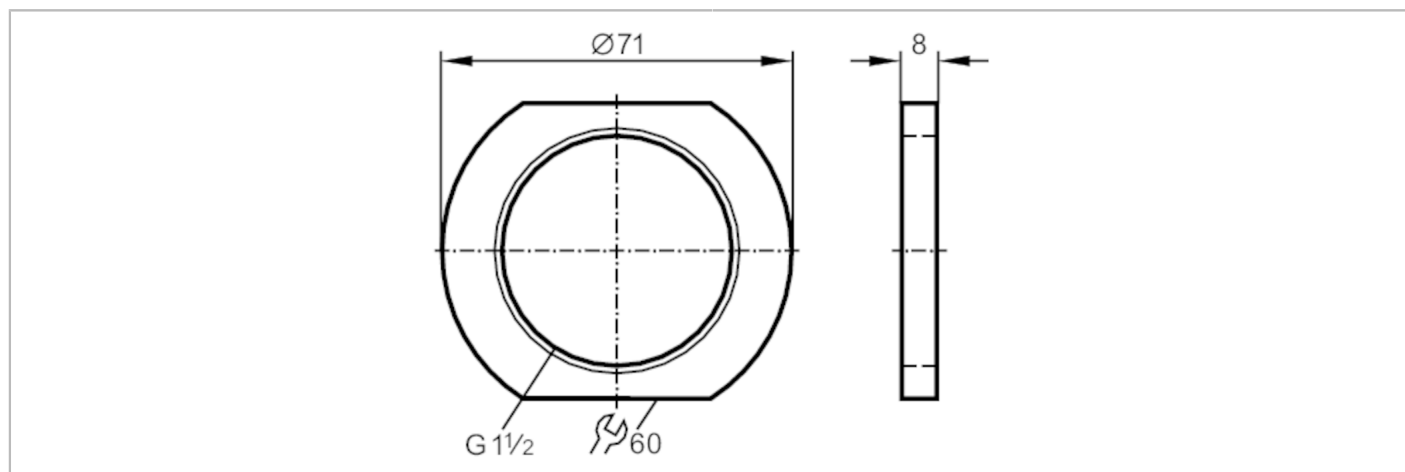


E11031



Lock nut for mounting adapter

NUT MOUNTING ADAPTER POM



Application	
Design	for mounting adapters
Medium temperature [°C]	-25...100
Medium temperature short time [°C]	-25...110
Mechanical data	
Weight [g]	23.4
External diameter [mm]	71
Materials	POM
Remarks	
Pack quantity	1 pcs.