

ILLUMINATED PUSHBUTTON, 16MM, ROUND,  
PLASTIC, BLUE, BUTTON, FLAT

Design of the product		Single device round
-----------------------	--	---------------------

### Enclosure:

Number of control points		1
--------------------------	--	---

### Actuator:

Design of the operating mechanism		Illuminated pushbutton
Manner of function of the actuating element		Momentary contact type
Product expansion optional Light source		Yes
Color		
• of the actuating element		Blue
Material of the actuating element		plastic
Shape of the actuating element		Flat pushbutton
Outer diameter of the actuating element	mm	19
Type of unlocking device		without
Number of switching positions		2

### Front ring:

Product component front ring		Yes
Design of the front ring		Standard
Material of the front ring		plastic
Color of the front ring		black

### Holder:

Material of the holder		Plastic
------------------------	--	---------

### General technical data:

Product function		
• EMERGENCY OFF function		No
• EMERGENCY STOP function		No
Vibration resistance		
• acc. to IEC 60068-2-6		20 ... 200 Hz: 5g
Operating frequency maximum	1/h	1 000
Mechanical service life (switching cycles)		
• typical		3 000 000
Protection class IP		IP65
Equipment marking		
• acc. to DIN 40719 extended according to IEC 204-2 acc. to IEC 750		S
• acc. to DIN EN 61346-2		S

- acc. to DIN EN 81346-2

S

#### Ambient conditions:

##### Ambient temperature

- during operation
- during storage

°C	-25 ... +70
°C	-40 ... +80

#### Installation/ mounting/ dimensions:

Mounting type		front mounting
Shape of the installation opening		round
Mounting diameter	mm	16

#### Certificates/ approvals:

General Product Approval	Declaration of Conformity	Test Certificates	other
 CSA	 UL		 EG-Konf.
		<a href="#">Special Test Certificate</a>	<a href="#">Confirmation</a>

#### other

[other](#)
[Environmental Confirmations](#)

#### Further information

##### Information- and Downloadcenter (Catalogs, Brochures,...)

<http://www.siemens.com/industrial-controls/catalogs>

##### Industry Mall (Online ordering system)

<http://www.siemens.com/industrymall>

##### Cax online generator

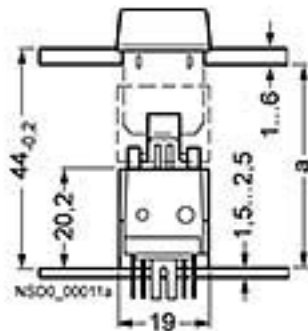
<http://support.automation.siemens.com/WW/CAXorder/default.aspx?lang=en&mlfb=3SB20010AF01>

##### Service&Support (Manuals, Certificates, Characteristics, FAQs,...)

<http://support.automation.siemens.com/WW/view/en/3SB20010AF01/all>

##### Image database (product images, 2D dimension drawings, 3D models, device circuit diagrams, EPLAN macros, ...)

[http://www.automation.siemens.com/bilddb/cax\\_de.aspx?mlfb=3SB20010AF01&lang=en](http://www.automation.siemens.com/bilddb/cax_de.aspx?mlfb=3SB20010AF01&lang=en)



Length a of spacing bolts:  
 $a = 44_{-0,2}$  minus front plate thickness.  
 When using name plates, the length a is reduced by 0.8 mm.

last modified:

09.03.2015