



COVER FOR POSITION SWITCH METAL 3SE52, FOR HOUSING ACC. TO EN50047,31MM YELLOW

Product designation		cover for enclosure 50047, metal, yellow
<b>General technical data:</b>		
<b>Product function</b>		
• positive opening		Yes
<b>Insulation voltage</b>		
• Rated value	V	400
<b>Shock resistance</b>		30g / 11 ms
<b>Vibration resistance</b>		0.35 mm / 5g
<b>Protection class IP</b>		IP66/IP67
Explosion protection category for dust		none
Explosion protection category for gas		none
<b>Enclosure:</b>		
<b>Design of the housing</b>		block, narrow
<b>Material of the enclosure</b>		metal
<b>Coating of the enclosure</b>		cathodic immersion coating
<b>Drive Head:</b>		
<b>Design of the operating mechanism</b>		without
<b>Connections/ Terminals:</b>		
<b>Type of electrical connection</b>		screw-type terminals
<b>Communication/ Protocol:</b>		
<b>Design of the interface</b>		without
<b>Ambient conditions:</b>		
<b>Ambient temperature</b>		

- during operation
- during storage

°C	-25 ... +85
°C	-40 ... +90

#### Installation/ mounting/ dimensions:

mounting position	any
Mounting type	screw fixing

#### Certificates/ approvals:

General Product Approval	Declaration of Conformity	Test Certificates
 CCC	 EAC	 EG-Konf.
 CSA		<a href="#">Special Test Certificate</a>
 UL		

#### other

[Confirmation](#)

#### Further information

##### Information- and Downloadcenter (Catalogs, Brochures,...)

<http://www.siemens.com/industrial-controls/catalogs>

##### Industry Mall (Online ordering system)

<http://www.siemens.com/industrymall>

##### Cax online generator

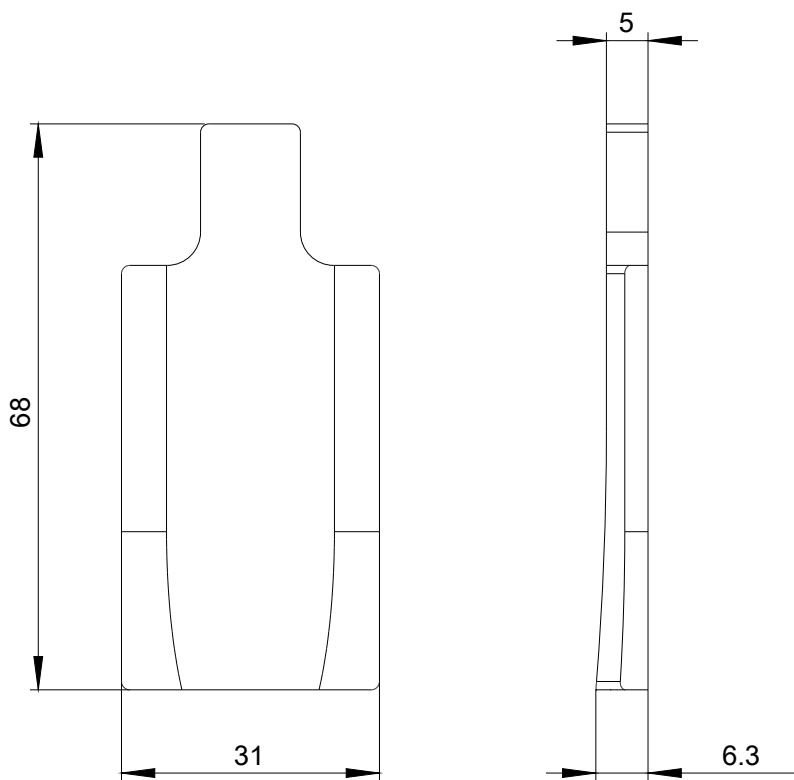
<http://support.automation.siemens.com/WW/CAXorder/default.aspx?lang=en&mlfb=3SE52100AA001AG0>

##### Service&Support (Manuals, Certificates, Characteristics, FAQs,...)

<http://support.automation.siemens.com/WW/view/en/3SE52100AA001AG0/all>

##### Image database (product images, 2D dimension drawings, 3D models, device circuit diagrams, EPLAN macros, ...)

[http://www.automation.siemens.com/bilddb/cax\\_de.aspx?mlfb=3SE52100AA001AG0&lang=en](http://www.automation.siemens.com/bilddb/cax_de.aspx?mlfb=3SE52100AA001AG0&lang=en)



last modified:

16.03.2015