

Optical Liquid Level Sensors D101 Series

DURAKOOL

Features:

- M12 x 1 Thread
- Low Power
- Low Cost
- Compact size
- Wide range of commercial and industrial applications
- Detect almost any liquid type - oil or water based



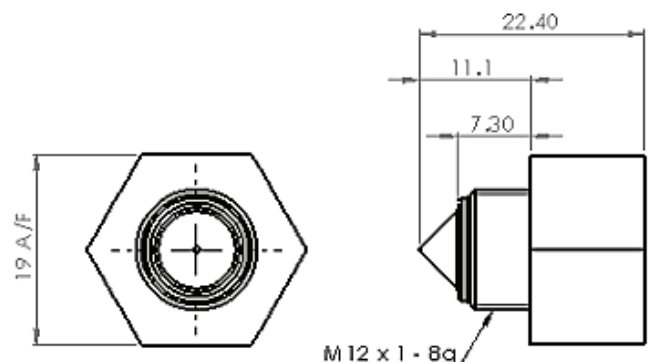
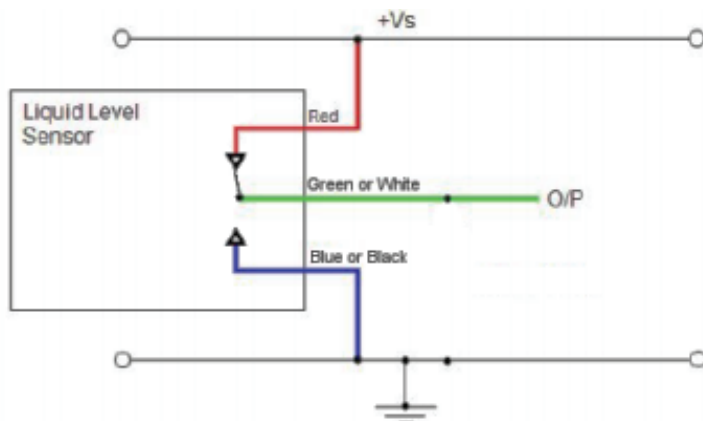
	Standard Temperature	High Temperature
Housing Material	Polysulfone	
Housing / Mounting	M12 (Hex nut and washer supplied)	
Output Type / Logic	Push / Pull - Digital High in Air	
Output Current (sink & source)	Up to 100mA (Iout)	
Pressure°	7 bar / 101 psi max.	
Supply Current	2.5mA max. (Vs = 15.4 VDC)	
Supply Voltage	4.5 - 15.4 VDC	
Temperature - Operating (Storage)	-25°C to +80°C (-30°C to +85°)	
Thread	M12 x 1 x 8g	
Tightening Torque	1.5 Nm / 13.26 in-lbs maximum	
Sensor Termination	24AWG - 250mm PTFE wires - 8mm tinned	

The minimum load impedance should not exceed $V_s/\text{max output current}$. Shorting the output to V_s or OV will result in irreparable damage to the sensor. Before use, check the fluid you wish to use is compatible with Polysulfone.

Order Codes:

- D101000 Standard Temperature Range
D101100 Extended Temperature Range

Drawing dimensions in millimetres



Contact factory for custom terminations and other lead lengths available to special order.



© American Electronic Components Inc 2008

American Electronic Components Inc.,
1101 Lafayette Street, Elkhart, Indiana, USA
Tel: +1-574-295-6330 Fax: +1-574-293-8013
Email: sales@aecensors.com
<http://www.aecensors.com>