



PART NAME

PIP SERIES - PC 10% FIBERGLASS BOX

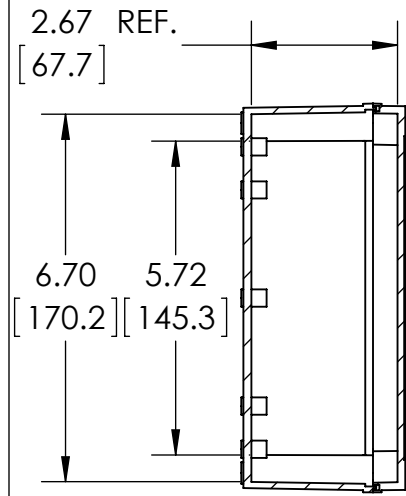
PART No.

PIP-11775

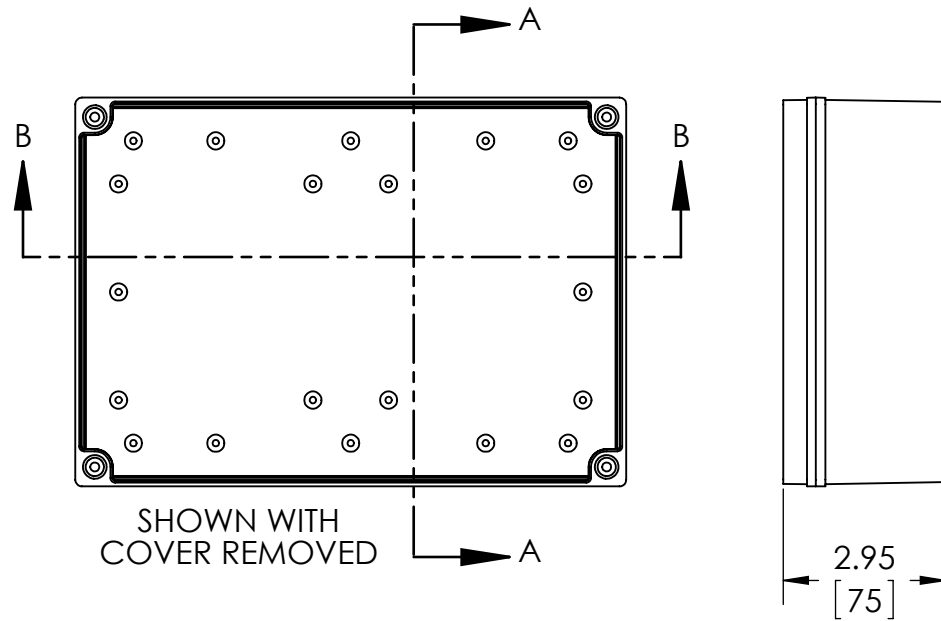
PIP-11775-C

REVISION DATE

3-28-14

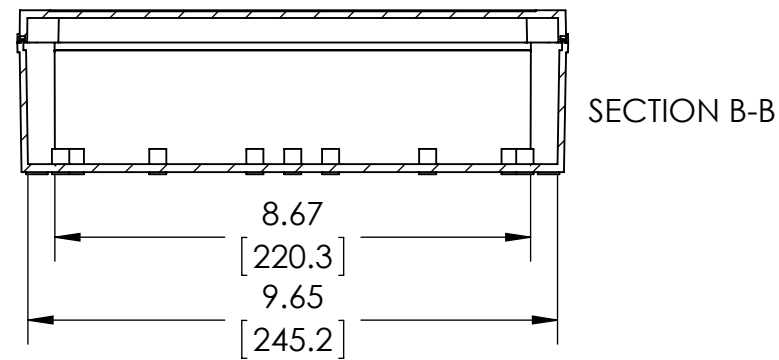


SECTION A-A



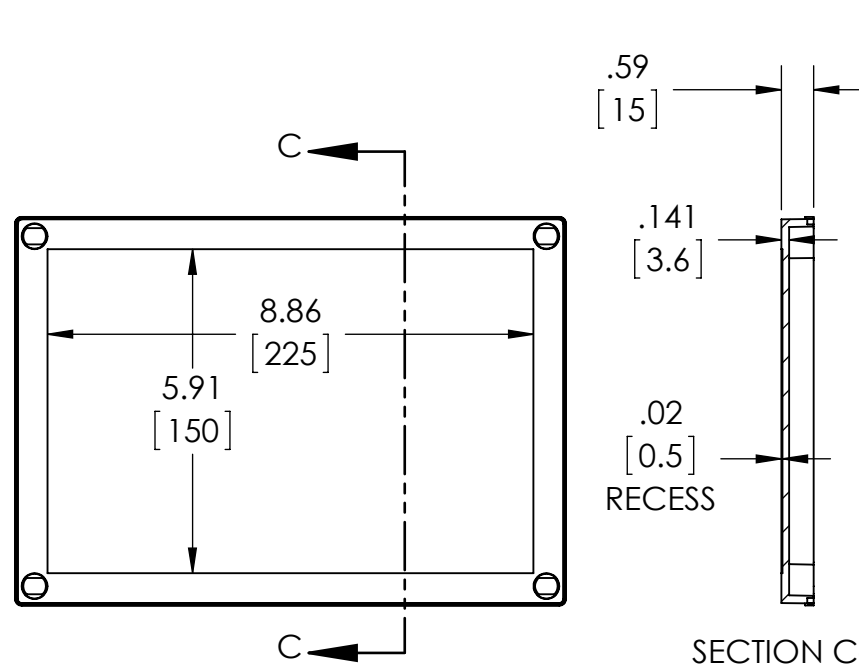
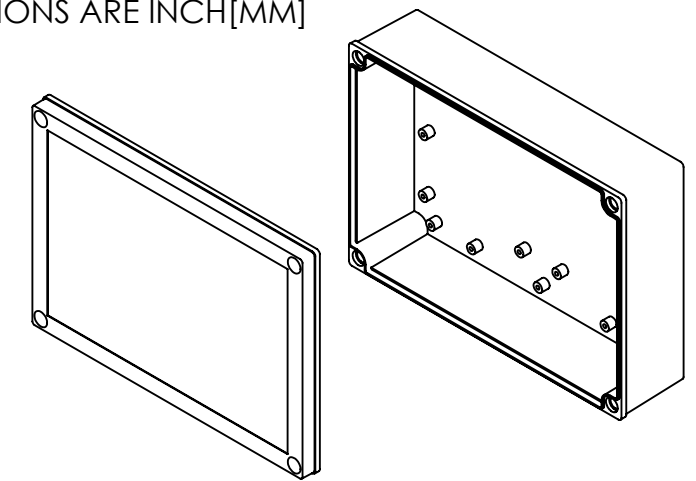
SHOWN WITH COVER REMOVED

ASSEMBLY



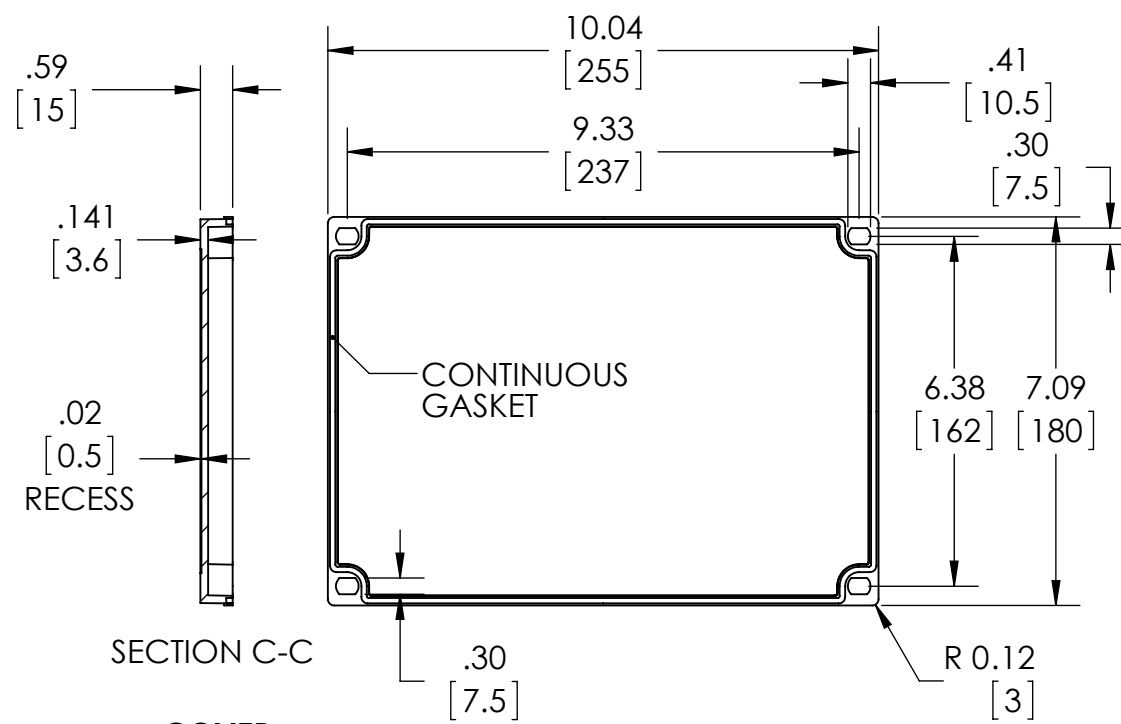
SECTION B-B

- NOTES:
- 1- MATERIAL: BODY AND COVER - POLYCARBONATE 10% FIBERGLASS REINFORCED
  - 2- FINISH: BODY - LIGHT GRAY  
COVER - LIGHT GRAY/CLEAR
  - 3- ALL HOLE DIAMETERS HAVE +/- .005 [0.13] TOLERANCE  
ALL OTHER DIMENSIONS HAVE +/- .03 [0.76] TOLERANCE  
UNLESS OTHERWISE SPECIFIED
  - 4- SUPPLIED WITH NON-METALLIC CAPTIVE SCREWS FOR COVER MOUNTING
  - 5- FOUR M4 THREAD FORMING SCREWS SUPPLIED
  - 6- DIMENSIONS ARE INCH [MM]

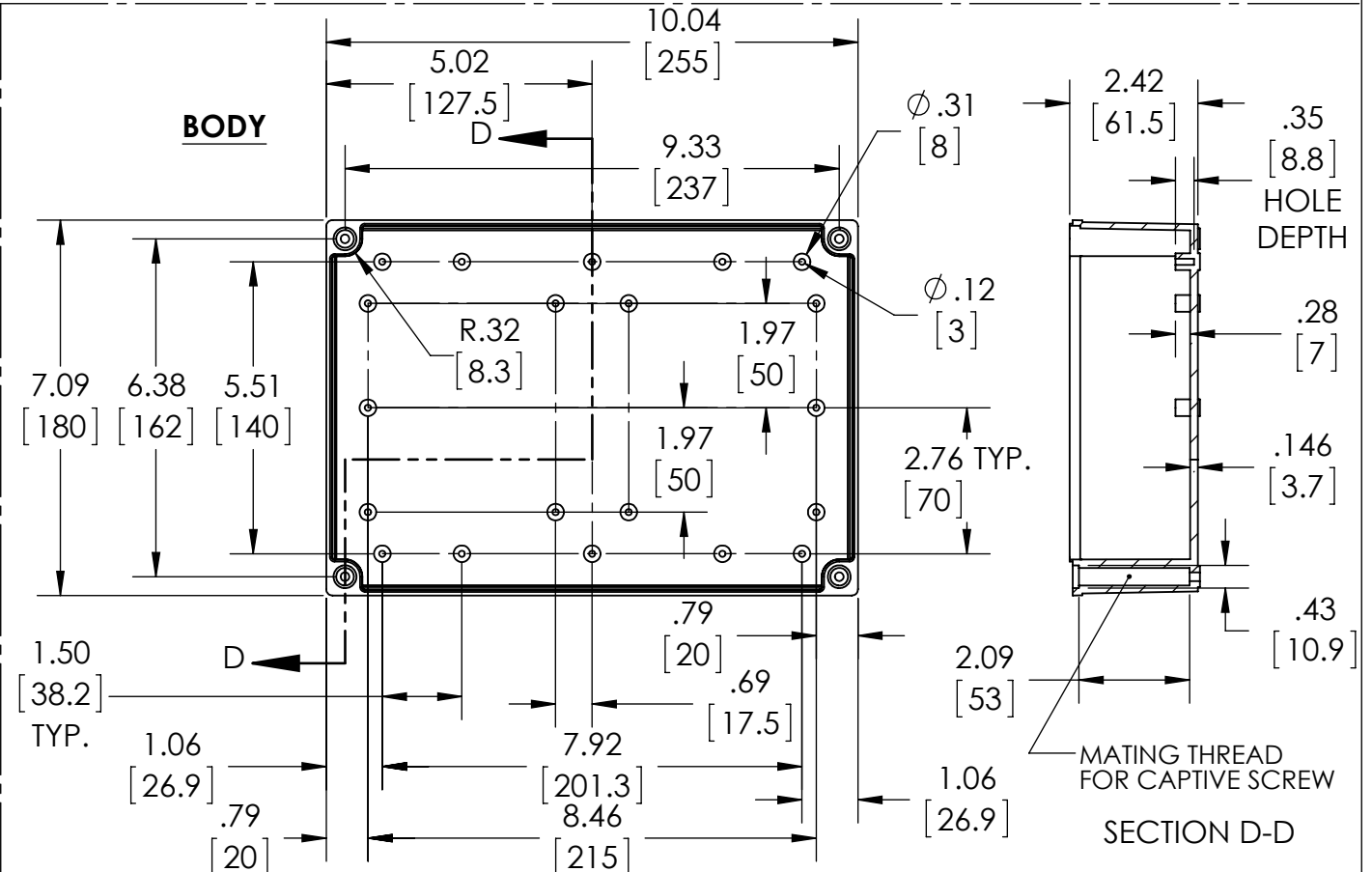


SECTION C-C

COVER



CONTINUOUS GASKET



BODY

MATING THREAD FOR CAPTIVE SCREW

SECTION D-D