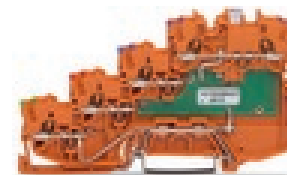




4-conductor sensor supply terminal block; LED (green); with ground contact

Item No.: 2000-5477/1102-953



4-conductor sensor supply terminal block; LED (green); with ground contact

Marking

RoHS ✓
Compliant

Business data

| | |
|----------------------|--------------------|
| Supplier | WAGO |
| Item no. | 2000-5477/1102-953 |
| GTIN / EAN | 4055143452847 |
| Content | 1 |
| Order amount | 15 |
| Customer item number | |

Notes

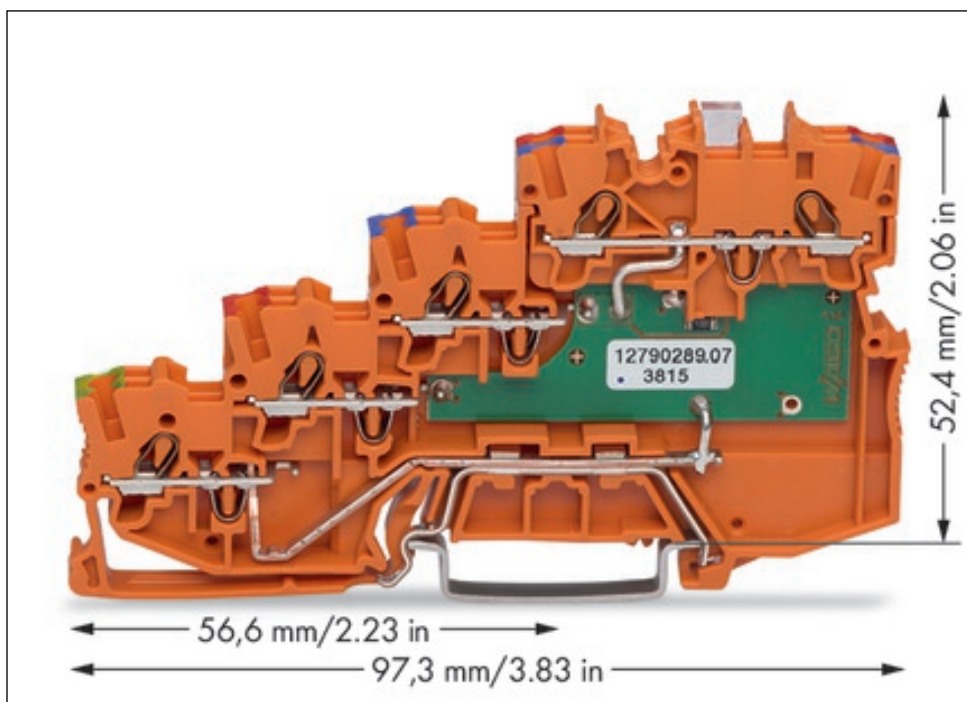
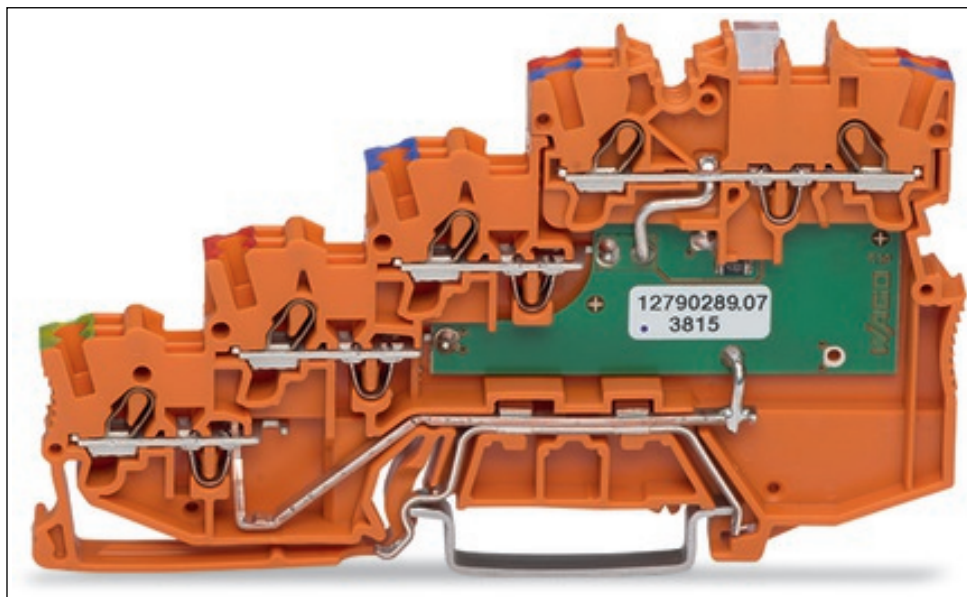
Item description: 3.5 mm spacing per signal (2 x 3.5 mm = 7 mm) The double spacing per pole of this terminal block series maximizes connectivity. For example, ten sensors may be connected using only five sensor terminal blocks plus a power supply terminal block.

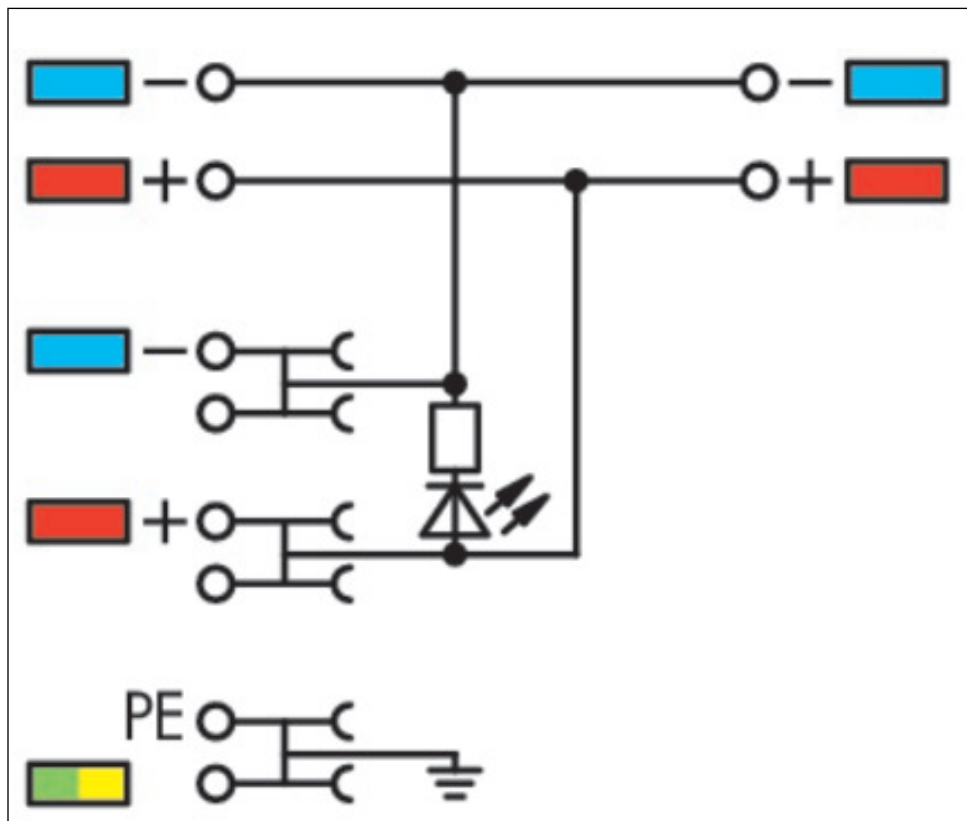
Technical data

| | |
|-------------------|------------------|
| Miscellaneous | |
| Packaging type | BOX |
| Ratings per | IEC/EN 60947-7-1 |
| Rated current [A] | 13.5 [A] |

| Technical data | |
|---|--|
| <i>Legend (ratings)</i> | <i>(III / 3) Overvoltage category III / Pollution degree 3</i> |
| <i>Nominal voltage [V]</i> | <i>24 [V]</i> |
| <i>Type of wiring</i> | <i>Front-entry wiring</i> |
| <i>Total number of connection points</i> | <i>10</i> |
| <i>Total number of potentials</i> | <i>5</i> |
| <i>Connection technology</i> | <i>Push-in CAGE CLAMP®</i> |
| <i>Number of connection points (connection type)</i> | <i>10</i> |
| <i>Actuation type</i> | <i>Push-in</i> |
| <i>Connectable conductor materials</i> | <i>Copper</i> |
| <i>Nominal cross section</i> | <i>1 mm²</i> |
| <i>Solid conductor</i> | <i>0.14 ... 1.5 mm² / 24 ... 16 AWG</i> |
| <i>Solid conductor, push-in termination</i> | <i>0.5 ... 1.5 mm² / 20 ... 16 AWG</i> |
| <i>Fine-stranded conductor</i> | <i>0.14 ... 1.5 mm² / 24 ... 16 AWG</i> |
| <i>Fine-stranded conductor with ferrule, push-in termination, f</i> | <i>0.5 mm² / 20 AWG</i> |
| <i>Strip length</i> | <i>9 ... 11 mm / 0.35 ... 0.43 Inch</i> |
| <i>Width</i> | <i>7 mm / 0.276 Inch</i> |
| <i>Height from upper-edge of DIN-35 rail</i> | <i>52.4 mm / 2.063 Inch</i> |
| <i>Design</i> | <i>horizontal</i> |
| <i>Type of mounting</i> | <i>Carrier rail 35 x 15</i> |
| <i>Marking level</i> | <i>Center/side marking</i> |
| <i>Color</i> | <i>orange</i> |
| <i>Insulating material</i> | <i>Polyamide 66 (PA 66)</i> |
| <i>Fire load [MJ]</i> | <i>1.3 [MJ]</i> |
| <i>Weight [g]</i> | <i>21.697 [g]</i> |

Images & drawings





Address

WAGO Kontakttechnik GmbH & Co. KG

Hansastr. 27

32423 Minden

Telefon: 0571/887-0

Fax: 0571/887-169

<http://www.wago.com>

© WAGO Kontakttechnik GmbH & Co. KG

Technische Änderungen und Irrtümer vorbehalten.