

Terminal Block Wire to Board

multicomp PRO

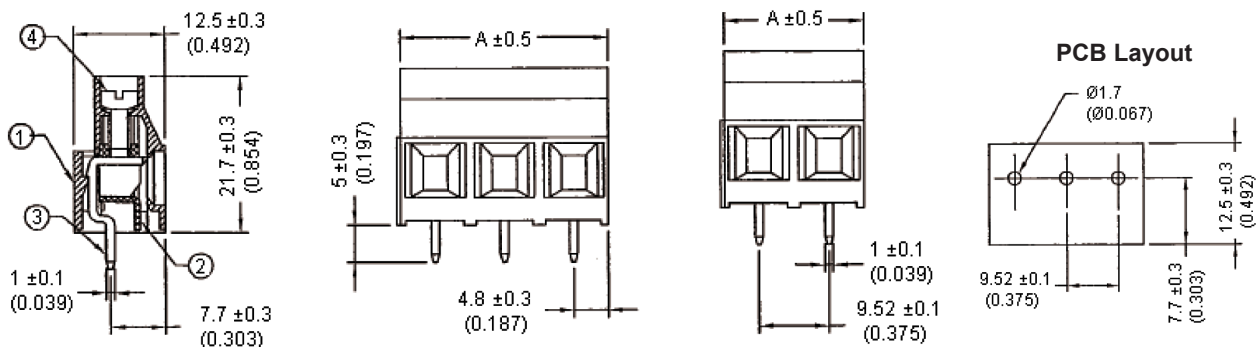
**RoHS
Compliant**



Specifications

Current Rating	: 30 Amperes, 600V AC
Min. Insulation withstand Voltage	: 2,000V AC
Insulation Resistance	: >2,000MΩ 500 V DC
Operating Temperature	: -40°C to +105°C
Wire Strip Length	: 8mm
Wire Range	: 10 to 24 AWG
Screw Torque	: 9 lb-inch

Diagram



Dimensions : Millimetres (Inches)

Specification Table

No.	Material		Plating / Finish	Remark
1	Insulating Body	Polyamide 66	-	Green
2	Cage Clamp	Steel	Ni plated	-
3	Terminal	Brass	Tin plated	-
4	Screw	Steel	Ni plated	-

Dimensions Table

Pitch : 9.52 mm (0.375 inch)		
Poles	A (mm)	A (Inch)
2	19.04	0.75
3	28.56	1.124

Part Number Table

Description	Part Number
Terminal Block PCB 9.52mm MOD 30A, 2 Way	MC000054
Terminal Block PCB 9.52mm MOD 30A, 3 Way	MC000055

Important Notice : This data sheet and its contents (the "Information") belong to the members of the AVNET group of companies (the "Group") or are licensed to it. No licence is granted for the use of it other than for information purposes in connection with the products to which it relates. No licence of any intellectual property rights is granted. The Information is subject to change without notice and replaces all data sheets previously supplied. The Information supplied is believed to be accurate but the Group assumes no responsibility for its accuracy or completeness, any error in or omission from it or for any use made of it. Users of this data sheet should check for themselves the Information and the suitability of the products for their purpose and not make any assumptions based on information included or omitted. Liability for loss or damage resulting from any reliance on the Information or use of it (including liability resulting from negligence or where the Group was aware of the possibility of such loss or damage arising) is excluded. This will not operate to limit or restrict the Group's liability for death or personal injury resulting from its negligence. Multicomp Pro is the registered trademark of Premier Farnell Limited 2019.

Newark.com/multicomp-pro
Farnell.com/multicomp-pro
Element14.com/multicomp-pro

multicomp PRO