

Datasheet - AZ 17/170-B5

Safety switch with separate actuator / AZ 17 / Actuator



- Particularly suitable for hinged guards (front mounting)



(Minor differences between the printed image and the original product may exist!)

Ordering details

Product type description	AZ 17/170-B5
Article number	1122895
EAN code	4030661104409

Global Properties

Product name	Abgewinkelter Betätiger B5
Weight	20 g

Mechanical data

Design of actuators	angled
Minimum actuating radius	140 mm

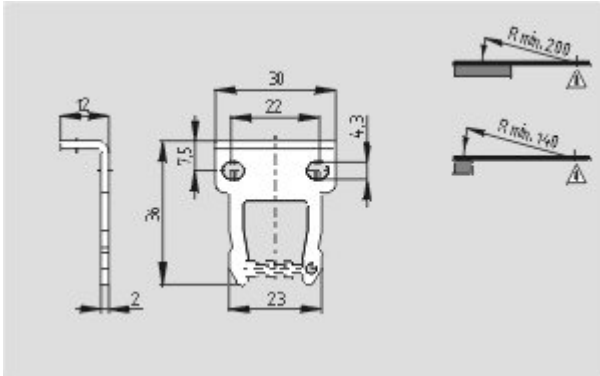
notice

On hinged guards, minimum actuating radius at 90° to the plane of the actuator 140 mm
minimum actuating radius on hinged guards in line with the plane of the actuator 200 mm
The axis of the hinge should be 13 mm above the top edge of the safety switch and in the same plane

Documents

Mounting and wiring instructions (de, en, fr, it, es, jp) 178 kB, 20.06.2005
http://127.0.0.1/Bilddata/AZ/Pdf/Az17/montage/M_z17p02.pdf

Images



Dimensional drawing (miscellaneous)

K.A. Schmersal GmbH, Möddinghofe 30, D-42279 Wuppertal

The data and values have been checked thoroughly. Technical modifications and errors excepted.

Generiert am 21.04.2011 - 10:45:01h Kasbase 1.4.7 DBI