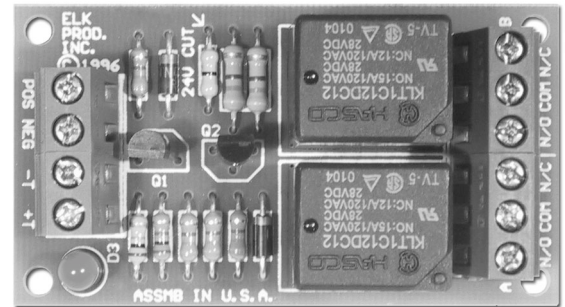


# Sensitive Relay

## ELK-924 & 924-4

The ELK-924 Sensitive Relay module features DPDT (Form "C") dry contacts for general purpose switching of devices or high current loads. It operates on 12 or 24 Volts D.C. and can be triggered with a negative or positive input at an incredible low current of only 1 milliamp. Also available in a 4 pack (ELK-924-4) which is packaged as 4 relay modules grouped on a pre-scored break-off circuit board.



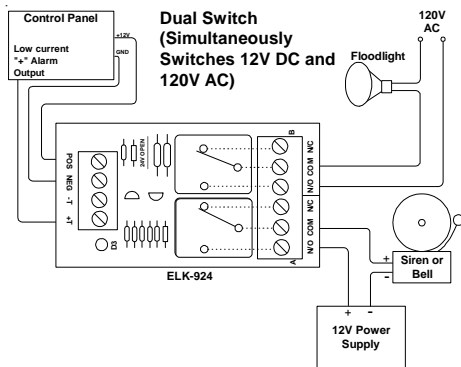
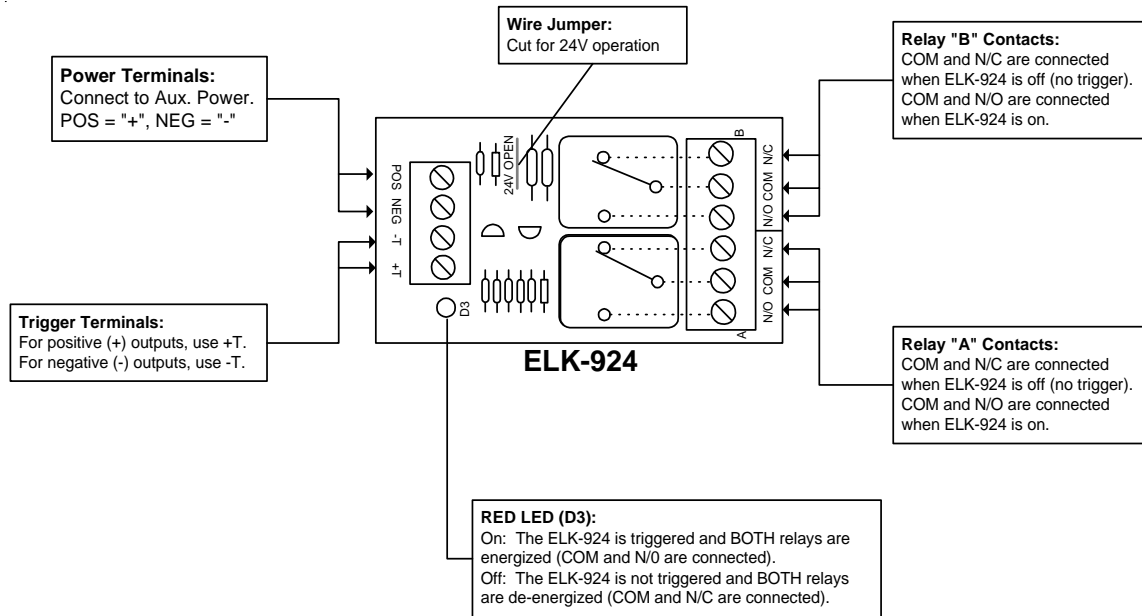
## Features

- Super Low 1.2 mA Trigger Current.
- Positive (+) Or Negative (-) Trigger Input.
- Double Form "C" Contacts DPDT.
- Heavy Duty Contact Rating.
- On Board LED Status Indicator.
- Includes Double Sided Mounting Tape.
- Mounts in Standard 2.75" Snap Track.
- Packaged in Reusable Poly Storage Box.
- Lifetime Limited Warranty.

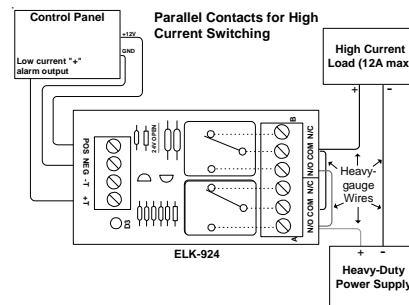
## Specifications

- Operating Voltage: 12 or 24 Volts D.C., jumper selectable.
- Current Draw: 60mA (both relays on).
- Relay Contacts: Form "C", 7A @ 30 VDC, 10 A @ 125 VAC.
- Size: 1.5" x 2.75".
- Trigger Voltage: 5 - 24 Volts D.C.
- Trigger Current: 1.2mA @ 12 VDC.

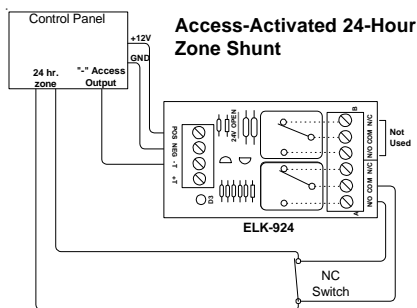
## APPLICATIONS AND WIRING DIAGRAMS



**Example 1:** The relays are used to switch two different voltages. The ELK-924 is powered by the control panel and triggered by a low-current, positive alarm output.

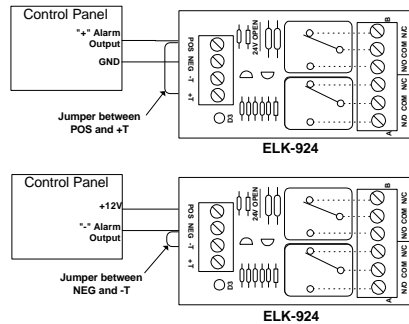


**Example 3:** Wire jumpers are used to tie Relays "A" and "B" in parallel for high current switching. Currents as high as 12A can be switched with this hookup. **Note:** Use heavy-gauge wire for all high current runs.



**Example 2:** Relay "A" is used to bypass a 24 hour zone when an access code is entered on the control's keypad. The "+" Access Output is connected to -T on the ELK-924.

### Hookup Examples for Disabling Sensitive Trigger



**Example 4:** If sensitive trigger is not desired, place a wire jumper between POS and +T (for positive output controls) or between NEG and -T (for negative output controls).