

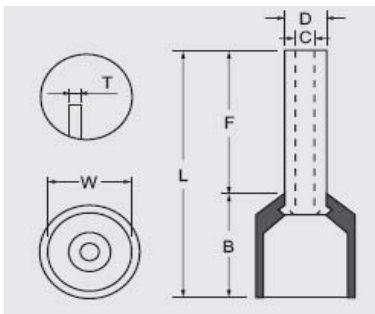
TECHNICAL DATA SHEET



Nylon Insulated Cord End Terminals

RoHS
Compliant

MATERIALS	
Insulation	Nylon
Tip	Copper



WIRE RANGE	ITEM NO.	CUSTOMER CODE	DIMENSION mm(inch)				STD. PCS /PACK	FRENCH COLOR	GERMAN COLOR	DIN COLOR
			F	L	W	C				
0.2(26)	RWCTTE0206	CBBR1814	6.0	10.4	1.9	0.8	1000	Violet	Lt Blue	N/A
	RWCTTE0208		8.0	12.4						
0.3(24)	RWCTTE0306	CBBR1815	6.0	10.5	2.6	0.8	1000	Pink	Turquoise	N/A
	RWCTTE0308		8.0	12.5						
0.5 (22)	RWCTE0505		5.0	11.0	3.3	1.0	1000	White	Orange	White
	RWCTE0506		6.0	12.0						
	RWCTE0508		8.0	14.0						
	RWCTE0510	CBBR1797/ CBBR1816	10.0	16.0						
	RWCTE0512		12.0	18.0						
0.75 (20)	RWCTE7506		6.0	12.4	3.6	1.21	1000	Blue	White	Grey
	RWCTE7508		8.0	14.3						
	RWCTE7508-L		8.0	14.5						
	RWCTE7510		10.0	16.4						
	RWCTE7512	CBBR1798/ CBBR1817	12.0	18.4						
1.0 (18)	RWCTE1006		6.0	12.4	3.8	1.5	1000	Red	Yellow	Red
	RWCTE1008		8.0	14.6						
	RWCTE1008-L		8.0	14.5						
	RWCTE1010		10.0	16.4						
	RWCTE1012	CBBR1799/ CBBR1818	12.0	18.4						
1.5 (16)	RWCTE1012-L		12.0	18.5	4.5	1.8	1000	Black	Red	Black
	RWCTE1018		18.0	24.3						
	RWCTE1508		8.0	14.6						
	RWCTE1509		8.0	14.5						
	RWCTE1510	CBBR1800/ CBBR1819	10.0	16.4						
2.5 (14)	RWCTE1511		12.0	18.4	5.1	2.3	1000	Grey	Blue	Blue
	RWCTE1512		15.0	21.3						
	RWCTE1513		18.0	24.4						
	RWCTE2508		8.0	15.4						
	RWCTE2510		10.0	17.4						
4.0 (12)	RWCTE2512	CBBR1801/ CBBR1820	12.0	19.4	5.5	2.8	1000	Orange	Grey	Grey
	RWCTE2518		18.0	25.4						
	RWCTE2525		25.0	32.4						
	RWCTE4009		9.0	16.5						
	RWCTE4010		10.0	17.4						
6.0 (10)	RWCTE4012	CBBR1802/ CBBR1821	12.0	19.5	6.9	3.5	1000	Green	Black	Yellow
	RWCTE4018		18.0	25.5						
	RWCTE6010		10.0	18.0						
10 (8)	RWCTE6012	CBBR1822	12.0	20.5	8.4	4.5	1000	Brown	White	Red
	RWCTE6018	CBBR1803	18.0	26.5						
16 (6)	RWCTE10-12	CBBR1804	12.0	21.5	9.4	5.8	500	White	Green	Blue
	RWCTE10-18		18.0	27.5						
25 (4)	RWCTE16-12	CBBR1805	12.0	22.2	11.8	7.5	250	Black	Brown	Yellow
	RWCTE16-18		18.0	28.2						
	RWCTE25-12		12.0	24.0						
	RWCTE25-15		15.0	27.0						
	RWCTE25-16		16.0	29.0						
RWCTE25-18		18.0	30.0							
RWCTE25-22	CBBR1806	22.0	35.0							

Important Notice : This data sheet and its contents (the "Information") belong to pro-POWER. No licence is granted for the use of it other than for information purposes in connection with the products to which it relates. No licence of any intellectual property rights is granted. The Information is subject to change without notice and replaces all data sheets previously supplied. The Information supplied is believed to be accurate but pro-POWER assumes no responsibility for its accuracy or completeness, any error in or omission from it or for any use made of it. Users of this data sheet should check for themselves the Information and the suitability of the products for their purpose and not make any assumptions based on information included or omitted. Liability for loss or damage resulting from any reliance on the Information or use of it (including liability resulting from negligence or where pro-POWER was aware of the possibility of such loss or damage arising) is excluded. This will not operate to limit or restrict pro-POWER's liability for death or personal injury resulting from its negligence.

