

PLEASE CHECK WWW.MOLEX.COM FOR LATEST PART INFORMATION

Part Number: [1727040103](#)
Status: **Active**
Description: Metal Backshell for D-Sub Connector, Shell Size 5, 45° Angle Cable Outlet, with Rubber Bushing and Locking Screws

Documents:

[RoHS Certificate of Compliance \(PDF\)](#)

[Product Literature \(PDF\)](#)

General

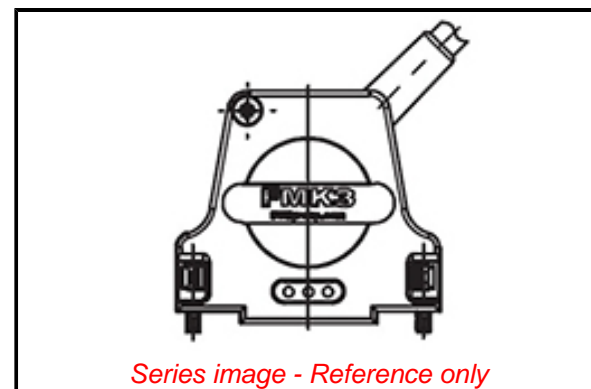
Product Family	D-Sub Products
Series	172704
Exclude SD Check	Yes
Product Category	Backshell
Product Literature Order No	987652-0064
Product Name	FCT Products
Type	Rugged Metal
UPC	889056020145

Physical

Backshell Plating	Nickel
Cable Diameter	3.00-12.00mm
Material - Backshell	Zinc Die-cast
Material - Bushing	TPE
Material - Screw	Steel
Mounting Style	Locking Screw
Net Weight	0.097/g
Orientation	45° Angle
Packaging Type	Carton
Shield Type	Solid Metal
Shielded	Yes
Temperature Range - Operating	-35° to +100°C
Thread Size	4-40 UNC
Thread Type	Standard
Tightening Test Torque	40 Ncm
Waterproof / Dustproof	No

Material Info

Engineering Number	FMK5
--------------------	------



EU ELV

Not Relevant

EU RoHS

Not Reviewed

REACH SVHC

Not Reviewed

Halogen-Free

Status

Not Reviewed

For more information, please visit [Contact US](#)

China ROHS

Not Reviewed

ELV

Not Relevant

RoHS Phthalates

Not Reviewed

Search Parts in this Series

[172704](#) Series

Use With

D-sub, Size 5