



Product Change Notification



Product Group: SFERNICE / May 6th 2019 / PCN-SF-232-2019 Rev 0

page 1/2

SFERNICE LTO100 & LTO150 RESISTORS NEW TUBE PACKAGING

DESCRIPTION OF CHANGE: In line with our commitment for continuous improvement, Vishay Sfernice is implementing new Tube Packaging for LTO100 & LTO150 Power Thick Film Resistors.

- Tube dimensions remain the same but color goes from dark blue to transparent (Photos below)
- Pin used for Tube closing will have reduced dimensions (drawing below)

All LTO products specifications remain unchanged.

CLASSIFICATION OF CHANGE: Labeling/Packing

REASON FOR CHANGE: Quality/Process improvement

EXPECTED INFLUENCE ON QUALITY/RELIABILITY/PERFORMANCE: none

PRODUCT CATEGORY: Resistor

PART NUMBERS/SERIES/FAMILIES AFFECTED: all Part Numbers **LTO100 & LTO150**



VISHAY BRAND(s): SFERNICE

TIME SCHEDULE:

Start Shipment Date: W43/19 (no mixed tubes allowed)
Last Time Buy Date: Not applicable
Last Time Shipment Date: Not applicable

SAMPLE AVAILABILITY: week 20/2019

PRODUCT IDENTIFICATION: Tube color

QUALIFICATION DATA: available on request

This PCN is considered approved, without further notification, unless we receive specific customer concerns before n/a or as specified by contract.

ISSUED BY: Frederic Lovera / Product Marketing Mgr. frederic.lovera@vishay.com

For further information, please contact your regional Vishay office.

The Americas
VISHAY SPECTROL
4051 Greystone Drive
Ontario, CA 91761 USA
Tel : (909) 923 3313 ext. 114

Europe
VISHAY-Division SFERNICE
BP 1159, 199 Bd de la Madeleine
06003 NICE CEDEX FRANCE
Tel : (33) 493 37 27 27

Asia
VISHAY Intertechnology
Asia Pte. LTD
25 Tampines Street 92
Tel : (65) 6780 7746

Vishay Intertechnology, Inc.

Corporate Headquarters 63 Lincoln Highway, Malvern, PA 19355-2143 U.S.A. Phone (610) 644-1300 Fax (610) 296-0657 www.vishay.com

ONE OF THE WORLD'S LARGEST MANUFACTURERS OF DISCRETE SEMICONDUCTORS AND PASSIVE COMPONENT

Procedure #



Product Change Notification



Product Group: SFERNICE / May 6th 2019 / PCN-SF-232-2019 Rev 0

page 2/2



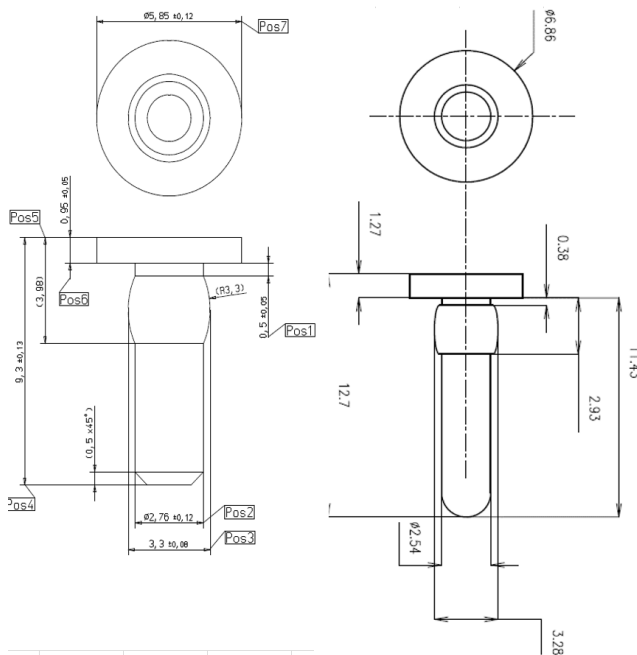
New transparent Tube

Current Tube



New shorter Pin

Current Pin



Vishay Intertechnology, Inc.

Corporate Headquarters 63 Lincoln Highway, Malvern, PA 19355-2143 U.S.A. Phone (610) 644-1300 Fax (610) 296-0657 www.vishay.com

ONE OF THE WORLD'S LARGEST MANUFACTURERS OF DISCRETE SEMICONDUCTORS AND PASSIVE COMPONENT

Procedure #