

C Frame Solenoid

multicomp **PRO**

RoHS
Compliant



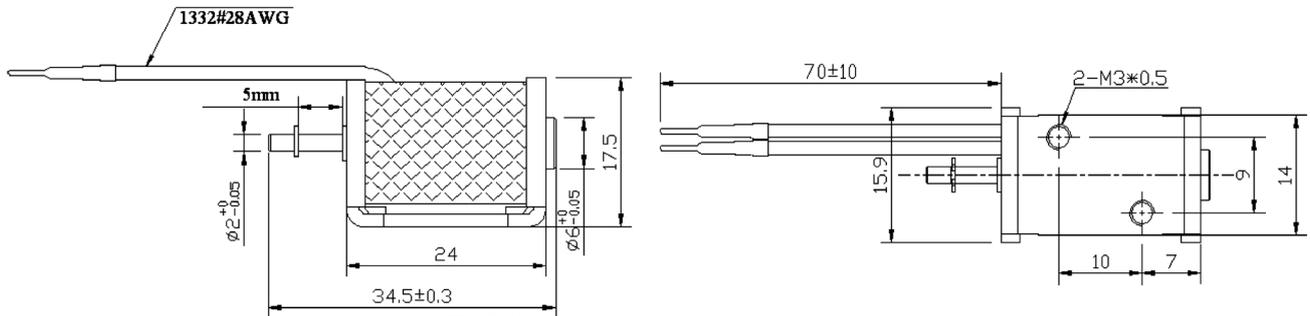
Specifications

Temperature Range	: -5°C to +45°C
Relative Humidity	: 20% to 85%
Rated Voltage	: 24V DC
Scope of Application	: Intermittent, When the ambient temperature is 24°C, 24V DC is energized. The maximum energization time is 40 seconds and the temperature is below 80°C.

Electrical Specifications

Working Voltage	: 24V DC $\pm 10\%$
Current	: 2A (ref)
Resistance	: $12\Omega \pm 10\%$ @ 20°C
Potence	: Power on 24V DC, Stroke 5mm, force 300g Min
Insulation Resistance	: 100M Ω Min, @500V DC.
High Voltage	: 700V DC @ 1sec
Insulation Level	: Class B (130°)
Life (Biometry)	: 500,000 Times Min.

Diagram



Dimensions : Millimetres
Tolerance: 0.3mm

Part Number Table

Description	Part Number
C Frame Solenoid, 24V DC, 2A, 300gf	MP001146

Important Notice : This data sheet and its contents (the "Information") belong to the members of the AVNET group of companies (the "Group") or are licensed to it. No licence is granted for the use of it other than for information purposes in connection with the products to which it relates. No licence of any intellectual property rights is granted. The Information is subject to change without notice and replaces all data sheets previously supplied. The Information supplied is believed to be accurate but the Group assumes no responsibility for its accuracy or completeness, any error in or omission from it or for any use made of it. Users of this data sheet should check for themselves the Information and the suitability of the products for their purpose and not make any assumptions based on information included or omitted. Liability for loss or damage resulting from any reliance on the Information or use of it (including liability resulting from negligence or where the Group was aware of the possibility of such loss or damage arising) is excluded. This will not operate to limit or restrict the Group's liability for death or personal injury resulting from its negligence. Multicomp Pro is the registered trademark of Premier Farnell Limited 2019.

Newark.com/multicomp-pro
Farnell.com/multicomp-pro
Element14.com/multicomp-pro

multicomp **PRO**