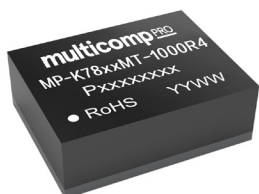


Non Isolated Board Mount DC / DC Converters

multicomp PRO

Wide input voltage non-isolated and regulated single

**RoHS
Compliant**



Features

- Ultra-small, ultra-thin DFN package(9mm × 7mm × 3mm)
- Operating ambient temperature range: -40°C to +105°C
- High efficiency up to 94%
- No-load input current as low as 0.1mA
- Continuous short circuit protection
- Meets EN62368
- Meets AEC-Q100 (under testing)
- No heat sink required
- 1.0A DFN package
- Short circuit protection
- Low ripple and noise
- MTBF: 8552k hours (Mil-HDBK-217F @ 25°C)
- 3 Years Warranty

Description

The MP-K78_MT-1000R4 series are high efficiency switching regulators. The converters feature high efficiency, low loss and short-circuit protection in a compact DFN package. These products are widely used in applications such as industrial control, instrumentation and electric power.

Selection Guide

Part Number	Input Voltage (VDC)*	Output		Full Load Efficiency (%) Typ. Vin Min./ Vin Nominal / Vin Max.	Capacitive Load (µF) Max.
	Nominal (Range)	Voltage (VDC)	Current (mA) Max.		
MP-K7803MT-1000R4	24 (4.75-36)	3.3	1000	89/84/81	680
MP-K7803MT-1000R4(100)	12 (8-27)	-3.3	-500	85/85/81	330
MP-K7805MT-1000R4	24 (6.5-36)	5	1000	92/87/84	680
MP-K7805MT-1000R4(100)	12 (8-27)	-5	-500	85/85/83	330
MP-K7812MT-1000R4	24 (15-36)	12	1000	94/91/89	680
MP-K7812MT-1000R4(100)	12 (8-20)	-12	-300	83/85/84	330

Note: * For input voltage exceeding 30 VDC, an input capacitor of 22µF/50V is required.

Input Specifications

Item	Operating Conditions	Min.	Typ.	Max.	Unit
No-load Input Current	Nominal input voltage	--	0.1	--	mA
Reverse Polarity at Input		Avoid / Not protected			
Input Filter		Capacitance filter			
Ctrl*	Module on	Ctrl pin open or pulled high(TTL 1.6V DC to 5V DC)			
	Module off	Ctrl pin pulled low to GND(-Vo)(0V DC to 0.6V DC)			
	Nominal input voltage, input current when off	--	240	--	µA

Note: *The positive output ctrl pin voltage is referenced to input GND; Negative output ctrl pin voltage is referenced to -Vo.

Newark.com/multicomp-pro
Farnell.com/multicomp-pro
Element14.com/multicomp-pro

multicomp PRO

Non Isolated Board Mount DC / DC Converters

multicomp PRO

Output Specifications						
Item	Operating Conditions		Min.	Typ.	Max.	Unit
Voltage Accuracy	Full load, input voltage range	3.3 VDC output	--	±2	±4	%
		Others	--		±3	
Linear Regulation	Full load, input voltage range		--	±0.2		%
Load Regulation	Nominal input voltage, 10% -100% load		--	±1	--	
Ripple & Noise*	20MHz bandwidth, nominal input voltage, full load		--	75	150	mVp-p
	20MHz bandwidth, nominal input voltage, full load, external capacitor 22µF		--	20	75	
Temperature Coefficient	Operating temperature -40°C to +105°C		--	±0.02	--	%/°C
Transient Response Deviation	Nominal input voltage, 25% load step change	3.3 V/5V/6.5V/9VDC output	--	50	150	mV
		12V/15VDC output	--	100	300	
Transient Recovery Time	Nominal input voltage, 25% load step change			0.1	0.8	ms
Short-circuit Protection	Continuous, self-recovery					
Trim	Input voltage range		--	±10	--	%Vo

Note: * The "parallel cable" method is used for ripple and noise test, please refer to DC-DC Converter Application Notes for specific information;

General Specifications						
Item	Operating Conditions		Min.	Typ.	Max.	Unit
Operating Temperature	See Fig. 1		-40	--	+105	°C
Storage Temperature			-55	--	+125	
Storage Humidity	Non-condensing		5	--	95	%RH
Reflow Soldering Temperature			Peak temperature ≤245°C, duration ≤60s max. over 217°C. Also refer to IPC/JEDEC J-STD-020D.1.			
Switching Frequency	Full load, nominal input voltage		--	1	--	MHz
MTBF	MIL-HDBK-217F@25°C		8552	--	--	K hours
Moisture Sensitivity Level (MSL)	IPC/JEDEC J-STD-020D.1		Level 3			
Pollution Degree			PD3			

Mechanical Specifications	
Case Material	Black epoxy resin; flame-retardant and heat-resistant(UL94 V-0)
Dimensions	9mm × 7mm × 3.1mm
Weight	0.58g (Typ.)
Cooling Method	Free air convection

Non Isolated Board Mount DC / DC Converters

multicomp PRO

Electromagnetic Compatibility (EMC)			
Emissions	CE	CISPR32/EN55032	CLASS B (see Fig. 3-2 for recommended circuit)
	RE	CISPR32/EN55032	CLASS B (see Fig. 3-2 for recommended circuit)
Immunity	ESD*	IEC/EN 61000-4-2	Contact $\pm 6\text{KV}$ perf. Criteria B
	RS	IEC/EN 61000-4-3	10V/m perf. Criteria A
	CS	IEC/EN 61000-4-6	3Vr.m.s perf. Criteria A
	EFT	IEC/EN 61000-4-4	$\pm 1\text{KV}$ (see Fig. 3-1 for recommended circuit) perf. Criteria B
	Surge	IEC/EN 61000-4-5	line to line $\pm 1\text{KV}$ (see Fig. 3-1 for recommended circuit) perf. Criteria B

Typical Characteristic Curves

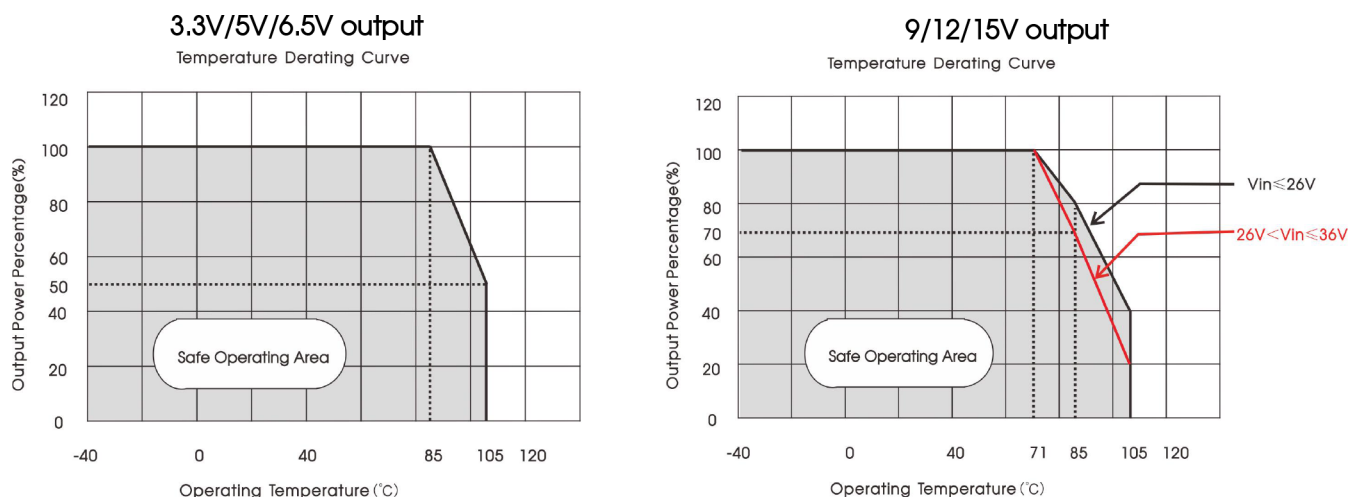


Fig. 1

Design Reference

1. Typical application

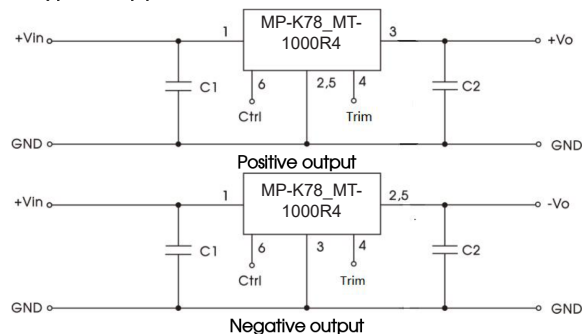


Fig. 2 Typical application circuit

Table 1

Part Number	C1 (ceramic)	C2 (ceramic capacitor)	Ra1/Ra2 (Trim resistance))
MP-K7803MT-1000R4 MP-K7803MT-1000R4(100)	10 $\mu\text{F}/50\text{V}$	22 $\mu\text{F}/10\text{V}$	Refer to Trim resistance calculation
MP-K7805MT-1000R4 MP-K7805MT-1000R4(100)			
MP-K7812MT-1000R4 MP-K7812MT-1000R4(100)		22 $\mu\text{F}/25\text{V}$	

Non Isolated Board Mount DC / DC Converters

Notes:

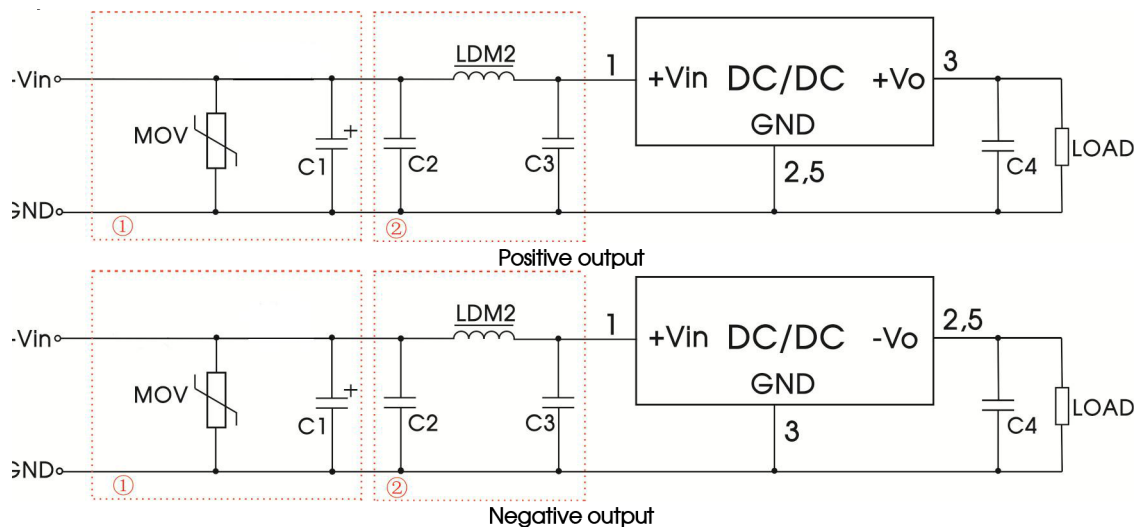
Negative output

Fig. 2 Typical application circuit

Table 1

1. The required C1 and C2 capacitors must be connected as close as possible to the terminals of the module;
2. Refer to Table 1 for C1 and C2 capacitor values. For certain applications, increased values and/or tantalum or low ESR electrolytic capacitors may also be used instead;
3. Converter cannot be used for hot swap and with output in parallel.

2. EMC compliance circuit



Part No.	MOV	C1	C2	LDM2	C3	C4
MP-K7803/05/MT-1000R4 MP-K7803/05/MT-1000R4(100) (Positive output)	S20K30	680µF /50V	10µF/50V	68µH	--	22µF/25V
Others	S20K30	680µF /50V	10µF/50V	68µH	10µF/50V	22µF/25V

Notes: For EMC tests we use Part 1 in Fig.3 for immunity and part 2 for emissions test. Selecting based on needs.

3. Trim Function for Output Voltage Adjustment (open if unused)

- 1.Positive output application: connect trim resistor to GND/Vo respectively for adjusting up/down.
- 2.Negative output application: connect trim resistor to GND/Vo- respectively for adjusting up/down

Non Isolated Board Mount DC / DC Converters

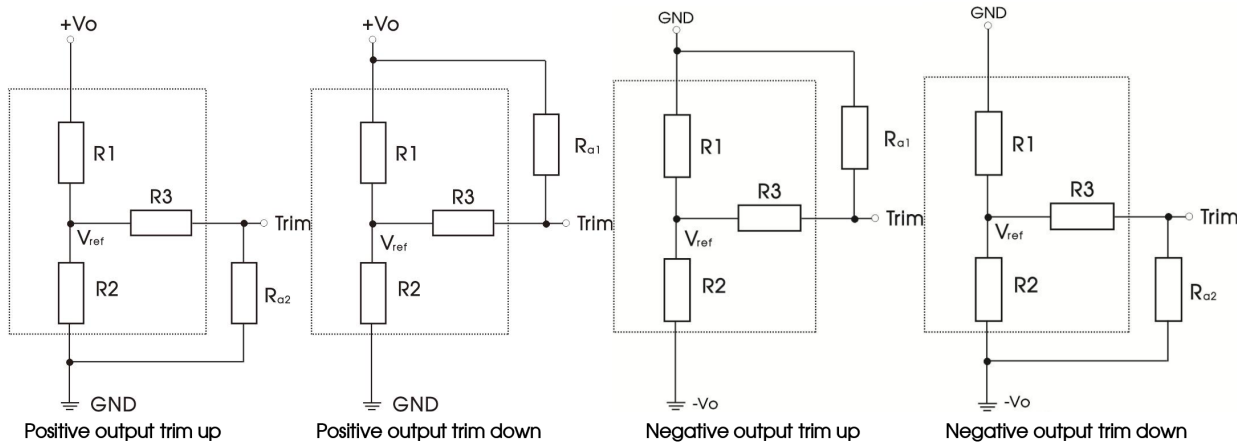


Fig.4 Circuit diagram of Trim up and down (dashed line shows internal part of module)

Calculating Trim resistor values:

$$\text{Trim up : } R_{a2} = \frac{aR_2}{R_2 - a} - R_3, \quad a = R_2 / (R_3 + R_{a2}) = \frac{V_{ref}}{V_o - V_{ref}} R_1$$

$$\text{Trim down : } R_{a1} = \frac{aR_1}{R_1 - a} - R_3, \quad a = R_1 / (R_3 + R_{a1}) = \frac{V_o - V_{ref}}{V_{ref}} R_2$$

Vout(V)	R1(KΩ)	R2(KΩ)	R3(KΩ)	Vref(V)
3.3	150	33	180	0.6
5	100	13.66	82	0.6
6.5	32.4	3.3	20	0.6
9	100	7.14	47	0.6
12	100	5.28	43	0.6
15	180	7.5	51	0.6

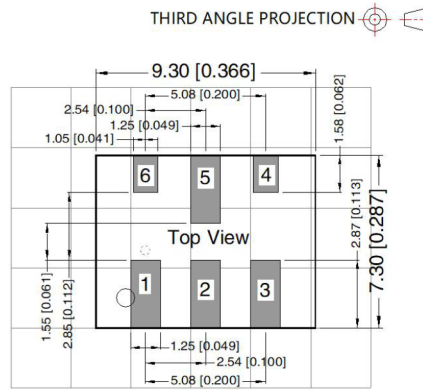
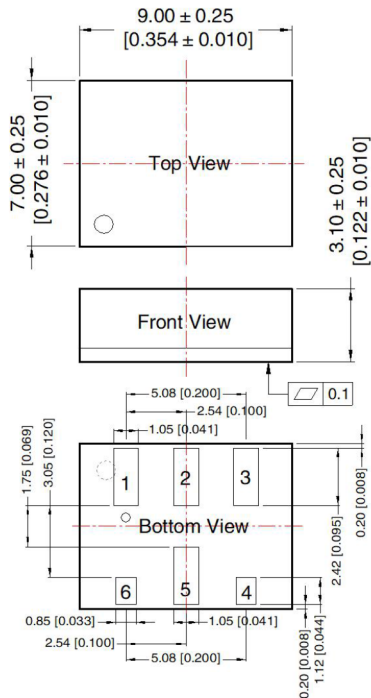
Dimensions and Recommended Layout

Vout nom.	±3.3VDC		±5.0VDC		±6.5VDC		±9.0VDC		±12VDC		±15VDC	
Vout Trim.	Ra1 (KΩ)	Ra2 (KΩ)	Ra1 (KΩ)	Ra2 (KΩ)	Ra1 (KΩ)	Ra2 (KΩ)	Ra1 (KΩ)	Ra2 (KΩ)	Ra1 (KΩ)	Ra2 (KΩ)	Ra1 (KΩ)	Ra2 (KΩ)
2.97	815	-	-	-	-	-	-	-	-	-	-	-
3.63	-	117.3	-	-	-	-	-	-	-	-	-	-
4.5	-	-	710	-	-	-	-	-	-	-	-	-
5.5	-	-	-	36.2	-	-	-	-	-	-	-	-
5.85	-	-	-	-	245.4	-	-	-	-	-	-	-
7.15	-	-	-	-	-	9.5	-	-	-	-	-	-
8.1	-	-	-	-	-	-	783.2	-	-	-	-	-
9.9	-	-	-	-	-	-	-	19.9	-	-	-	-
10.8	-	-	-	-	-	-	-	-	382.2	-	-	-
13.2	-	-	-	-	-	-	-	-	-	5.5	-	-
13.5	-	-	-	-	-	-	-	-	-	-	509.6	-
16.5	-	-	-	-	-	-	-	-	-	-	-	21

Non Isolated Board Mount DC / DC Converters

multicomp **PRO**

Dimensions and Recommended Layout



Note: Grid 2.54*2.54mm

Pin-Out		
Pin	Positive output	Negative output
1	+Vin	+Vin
2	GND	-Vo
3	+Vo	GND
4	Trim	Trim
5	GND	-Vo
6	Ctrl	Ctrl

Note:
Unit :mm[inch]
Pin diameter tolerances : ± 0.10[± 0.004]

Important Notice : This data sheet and its contents (the "Information") belong to the members of the AVNET group of companies (the "Group") or are licensed to it. No licence is granted for the use of it other than for information purposes in connection with the products to which it relates. No licence of any intellectual property rights is granted. The Information is subject to change without notice and replaces all data sheets previously supplied. The Information supplied is believed to be accurate but the Group assumes no responsibility for its accuracy or completeness, any error in or omission from it or for any use made of it. Users of this data sheet should check for themselves the Information and the suitability of the products for their purpose and not make any assumptions based on information included or omitted. Liability for loss or damage resulting from any reliance on the Information or use of it (including liability resulting from negligence or where the Group was aware of the possibility of such loss or damage arising) is excluded. This will not operate to limit or restrict the Group's liability for death or personal injury resulting from its negligence. Multicomp Pro is the registered trademark of Premier Farnell Limited 2019.

Newark.com/multicomp-pro
Farnell.com/multicomp-pro
Element14.com/multicomp-pro

multicomp **PRO**