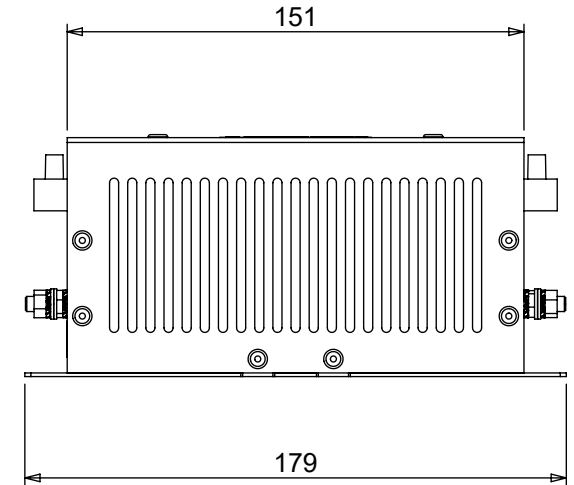
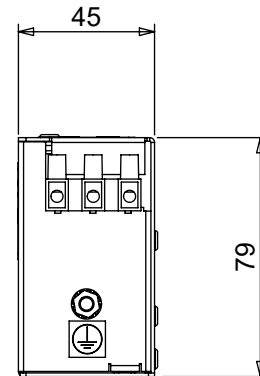
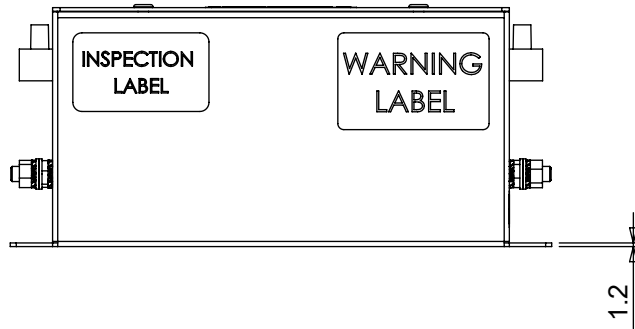
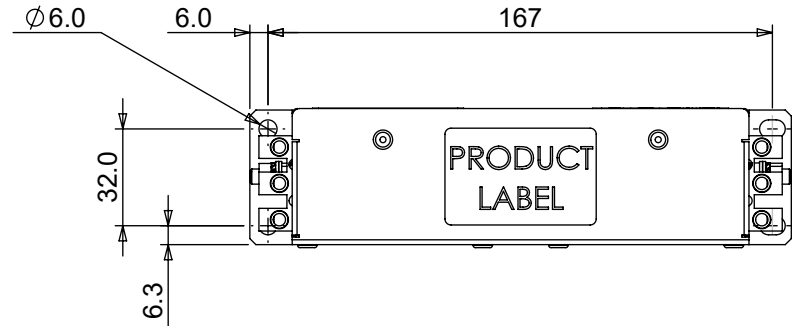
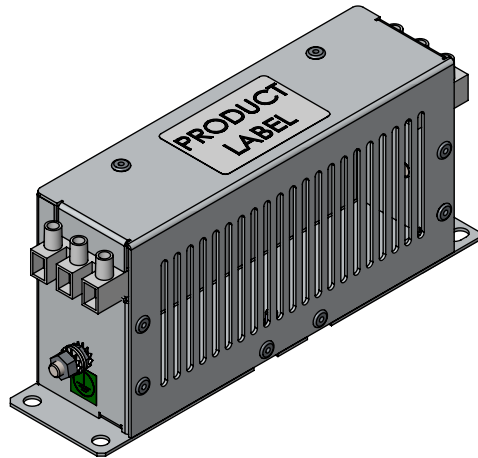


KMF310	
AKA	n/a
Device	rfi filter
Current	10A 40°C
Earthing	M5x15 stud 2Nm
Enclosure	aluminium 1.2mm
Loss	1.4W/ph
Leakage	0.5mA operating
Mass	0.45kg
Mounting	M5 2Nm
PCB	n/a
Potting	air/resin
Power	8.3kW (2.4kW)
Protection	IP20
Resistance	14mR/ph
Residual	42V 5s
SCCR	200kA when fused
Style	terminal filter
Terminal	screw 0.5-6mm ² 0.8Nm 7.5mm
Varistor	n/a
Supply	3P 480V 50/60Hz
Voltage	528V (480V IT) max
Withstand	2900Vdc 60s
Altitude	2000m w/out derating
Bonding	25A 50/60Hz
Class	class I
Environment	-25/+85/21
Flammability	UL94 V-2 min
Humidity	93% RH non-condensing
Insulation	500Vdc ≥3.5MR
Material	group IIIb
MTBF	22yrs (MIL-HDBK-217F)
Overload	135% 2hrs 150% 60s
Overvoltage	category II
Packaging	ASTM D7386
Pollution	degree II
Shock	15g 11mS
Spacing	≥50mm from ventilated surfaces
Vibration	5-55Hz 350um 55-500Hz 2G
EU	CE EN60939
US	uR UL1283
CAN	cUR CSA22.2
OTHER	n/a



+44(0)1724 273200 www.dem-uk.com

PROPRIETARY AND CONFIDENTIAL:

THE INFORMATION CONTAINED IN THIS DRAWING IS THE SOLE PROPERTY OF ALPHA 3 MANUFACTURING. ANY REPRODUCTION IN PART OR AS A WHOLE WITHOUT THE WRITTEN PERMISSION OF ALPHA 3 MANUFACTURING IS PROHIBITED.

DEM Manufacturing is a division of Alpha 3 Manufacturing LTD
 DEM Manufacturing, Deltron Emcon House, Hargreaves Way,
 Sawcliffe Ind. Park, Scunthorpe, North Lincolnshire, DN15 8RF, UK

UNLESS OTHERWISE SPECIFIED DIMENSIONS ARE IN MILLIMETRES
 LINEAR & RADIAL TOLERANCE:
NO DECIMAL PLACES ±0.5mm
1 DECIMAL PLACE ±0.25mm
2 DECIMAL PLACES ±0.125mm
ANGULAR TOLERANCE: ±1°

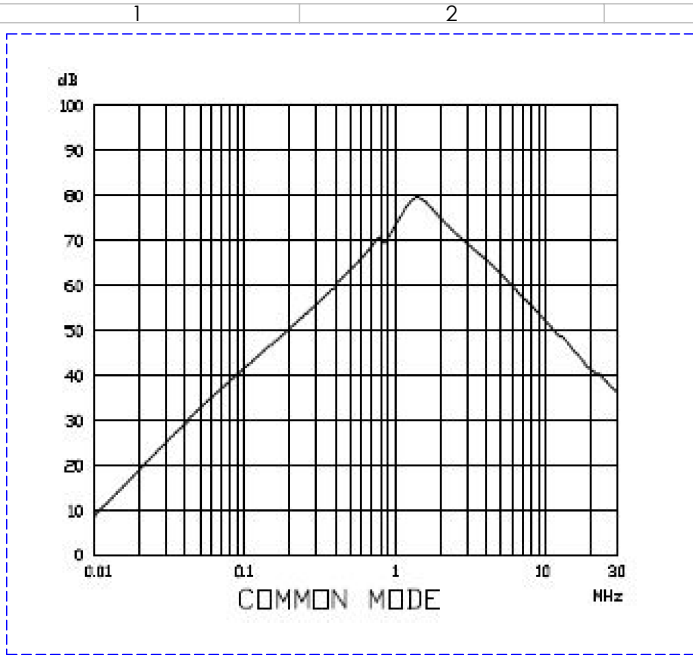
IF IN DOUBT ASK! DO NOT SCALE DRAWING!

FINISH	-
MATERIAL	-

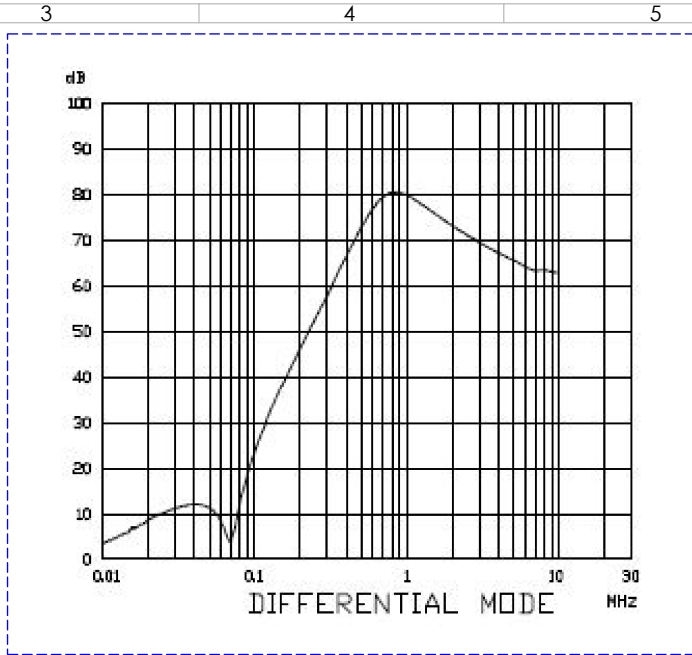
THE FINISHED PRODUCT SHOULD BE CLEAN AND FREE FROM ALL LIQUIDS AND DEBRIS. SURFACES SHOULD BE OF UNIFORM APPEARANCE FREE FROM SHARP EDGES, BURRS AND CORROSION

AUTHOR	SW
EDITOR	SW
APPROVER	SW
THIRD ANGLE PROJECTION	
SHEET 1 OF 2	A4
SCALE 1:5	A4

TITLE	SPECIFICATION	
FILE	KMF310	
PART	KMF310	
ISSUE/REV.	011	EDIT DATE 14/01/2020
RELEASED	RELEASE DATE 14/01/2020	



A1: 50/50Ω ASYMMETRICAL (COMMON)



A2: 50/50Ω SYMMETRICAL (DIFFERENTIAL)



B: 50/50Ω ASYMMETRICAL (COMMON) LINE Y-CAP/CLIP REMOVED



C: 50/50Ω ASYMMETRICAL (COMMON) LOAD Y-CAP/CLIP REMOVED



D: 50/50Ω ASYMMETRICAL (COMMON) Y-CAPS/CLIPS REMOVED