

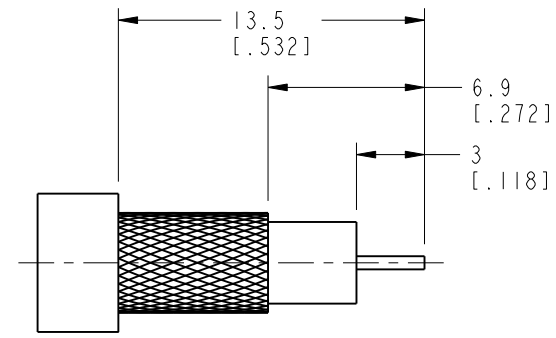
NOTES:

1. MATERIALS AND FINISHES:
 BODY - BRASS, NICKEL PLATING.
 BODY - BERYLLIUM COPPER, NICKEL PLATING.
 CONTACT - BRASS, GOLD PLATING.
 INSULATOR - PTFE, NATURAL
2. ELECTRICAL:
 A. IMPEDANCE: 75 OHM
3. MECHANICAL:
 A. DURABILITY: 500 CYCLES MIN.
 B. TEMPERATURE RANGE: -65° C TO +165° C
4. SOLDER CONTACT TO CABLE.
 WHEN CRIMPING CONTACT PIN TO CABLE, CRIMP WITH AMPHENOL TOOL 227-944 (M22520/5-01) AND DIE SET 227-980-1, CAVITY 'B' (M22520/5-01).
5. WHEN CRIMPING FERRULE TO CABLE, CRIMP WITH AMPHENOL TOOL 227-944 (M22520/5-01) AND DIE SET 227-980-1, CAVITY 'A' (M22520/5-01).
6. PACKAGE THIS CONNECTOR IN ANTI-STATIC BAG.
7. CABLES: ROCKWELL 425-0893-000, 425-0221-010 AND ROCKWELL 425-1680-030.
8. ASTERISK (*) INDICATES CABLE ENTRY DIM'S.

THIRD ANGLE PROJ.

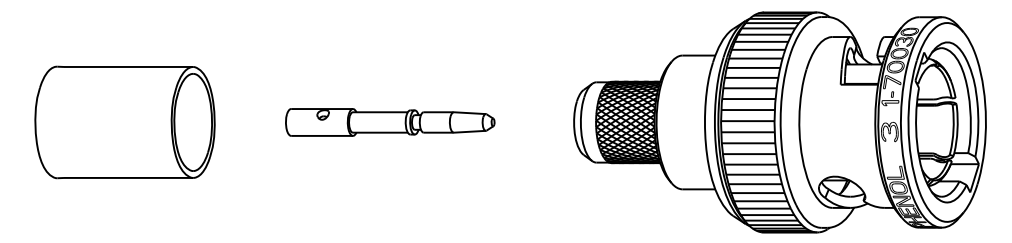
REVISIONS

REV	DESCRIPTION	DATE	ECO	APPR
--	RELEASE TO MFG.	----	----	----
N	SPRING WAS CHANGED	09-Aug-12	49157	SH

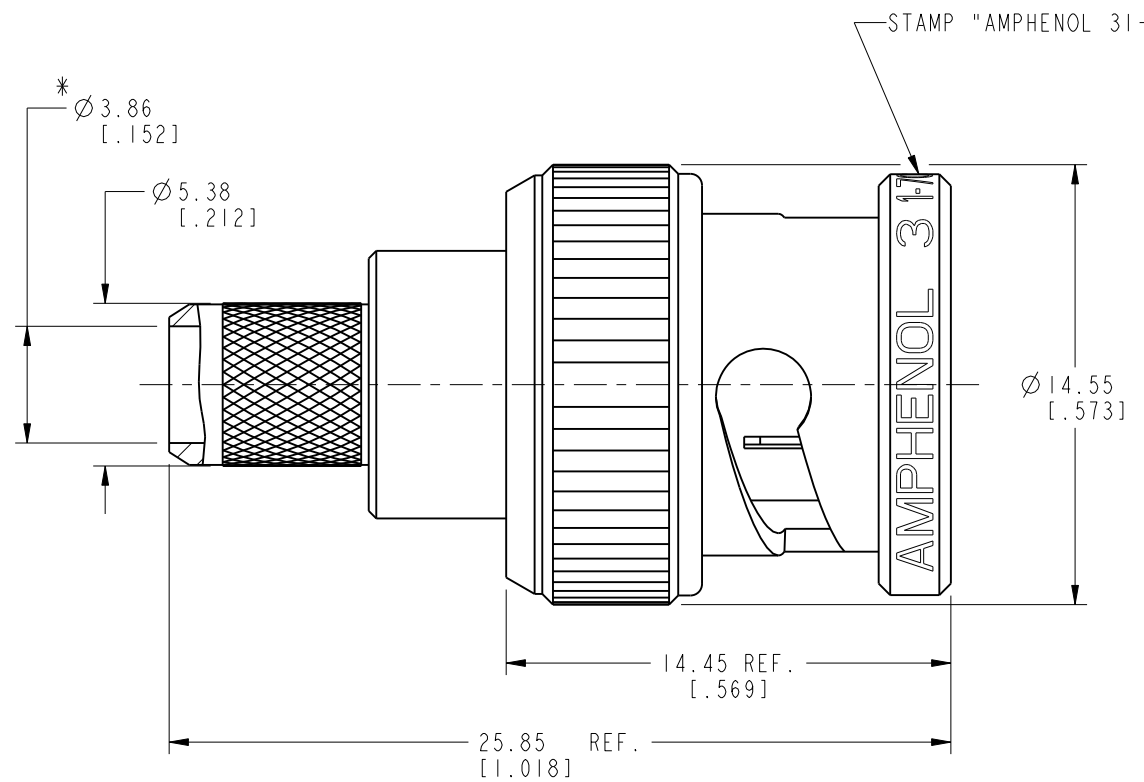
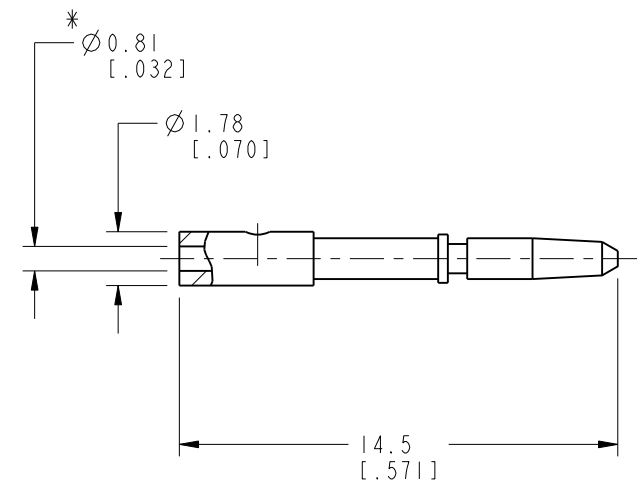
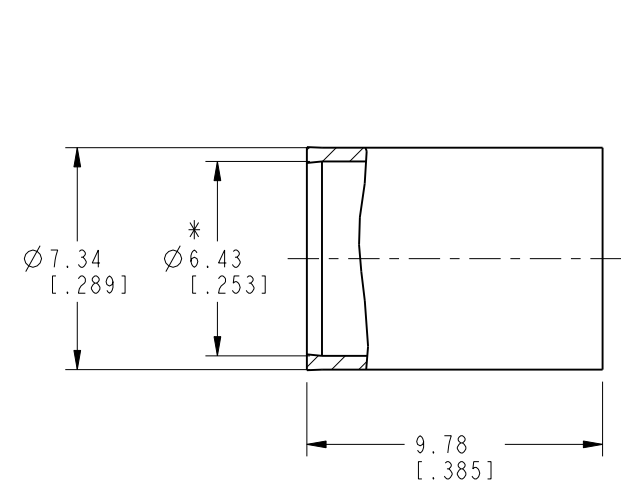


SCALE 3.000

RECOMMENDED CABLE STRIPPING DIMENSIONS



SCALE 2.000



CUSTOMER OUTLINE DRAWING
 ALL OTHER SHEETS ARE FOR INTERNAL USE ONLY

UNLESS OTHERWISE SPECIFIED, DIMENSIONS ARE IN METRIC AND TOLERANCES ARE:
 <0.5mm ±0.05mm 0.5 - 6mm ±0.1mm 6 - 30mm ±0.2mm 30 - 120mm ±0.3mm ANGLES ±1°

NOTICE - These drawings, specifications, or other data (1) are, and remain the property of Amphenol corp. (2) must be returned upon request; and (3) are confidential and not to be disclosed to any person other than those to whom they are given by Amphenol Corp. the finishing of these drawings, specifications, or other data by Amphenol Corp., or to any other person to anyone for any purpose is not to be regarded by implication or otherwise in any manner licensing, granting rights to permitting such holder or any other person to manufacture, use or sell any product, process or design, patented or otherwise, that may in any way be related to or disclosed by said drawings, specifications, or other data.

MATERIAL	
REFERENCE	EAR 70813-0
CONFIGURATION LEVEL:	
FINISH	

DRAWN	T.DENG	DATE	09-Aug-12
ENGINEER	D.ROYCE	DATE	06-Jan-89
APPROVED	S.HSIEH	DATE	09-Aug-12
CAD FILE			

TITLE	
BNC PLUG 75 OHM FOR SPECIAL RG59/U CABLE	
SCALE: 4.0:1.0	SHEET 2 OF 2
DWG SIZE	REV
B	N

Amphenol RF	
www.amphenolrf.com	
DRAWING NO. 31-70030	
ITEM NO. 31-70030	
PART NO. 31-70030	