

## SUPPRESSOR FOR CONTACTORS

Diode combination, 240 VDC, 50 W

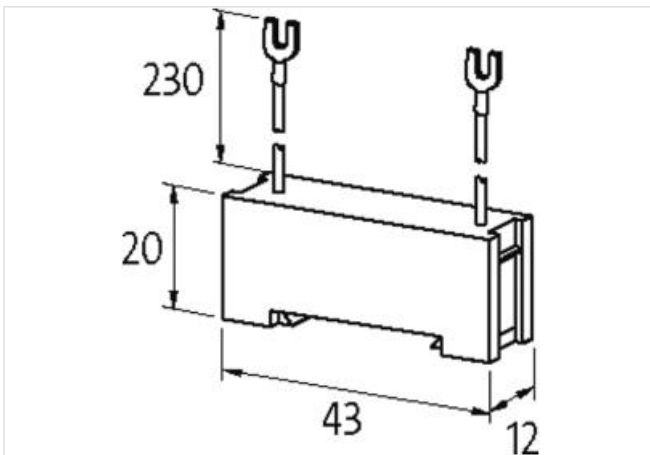
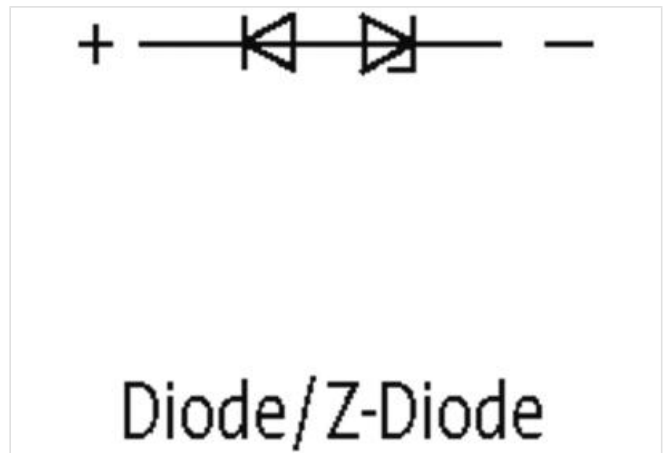
24 V DC

Z-Diode

For other configurations and voltages, please inquire.

### [Link to Product](#)

#### Illustration



Product may differ from Image



#### Commercial data

ECLASS-6.0	27371013
ECLASS-6.1	27371013
ECLASS-7.0	27371013
ECLASS-8.0	27371013
ECLASS-9.0	27371013
ECLASS-10.1	27371013

ECLASS-11.1	27371013
ECLASS-12.0	27371013
ETIM-5.0	EC002498
customs tariff number	85363010
GTIN	4048879018258

Packaging unit	1
----------------	---

**Compatibility | Compatible with**

Appropriate contactors	universal
------------------------	-----------

**Electrical data**

Holding power max.	50 W
--------------------	------

**Electrical data | Input**

Input voltage DC min.	0 V
Input voltage DC max.	240 V

**Mechanical data | Mounting data**

Height	20 mm
Width	43 mm
Depth	12 mm

**Environmental characteristics | Climatic**

Operating temperature min.	-20 °C
Operating temperature max.	70 °C