

R/A SMB PLUG FOR RG316 CABLE



Features

- This design is ideal for installations where space is restricted or where a compact and low-profile connection is required
- SMB (SubMiniature version B) connectors are known for their small size and push-on/pull-off coupling mechanism
- The combination of the R/A SMB plug and RG316 cable provides a space-saving and versatile solution for routing signals in tight spaces while maintaining good signal quality



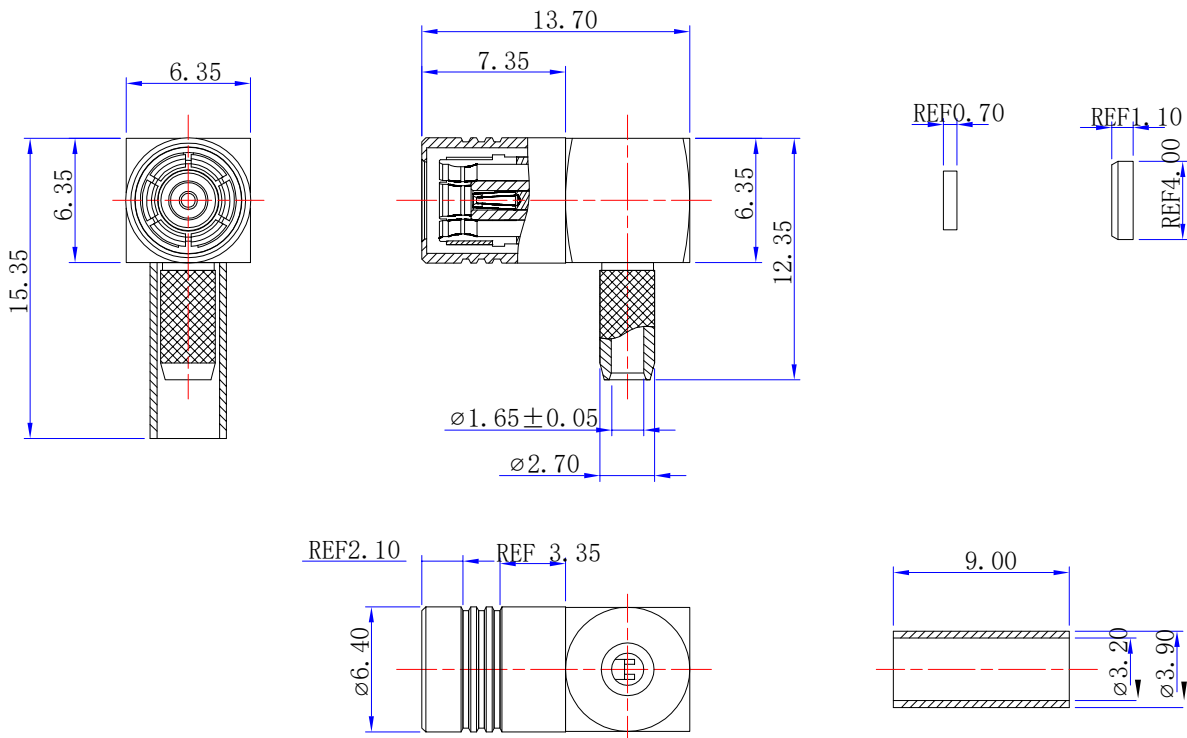
Specification

Impedance	50 Ohm
Frequency Range	0 ... 4 GHz
VSWR	1.3 max
Working Voltage	335V RMS @ Sea Level
Insulation Resistance	1 GOhm min.
Temperature Range	-40... 155 °C

Material Specification

Body	Brass, Gold Plated
Insulator	PTFE
Center Pin	Brass, Gold Plated

Drawing



Art. Nr.
RND 205-01510