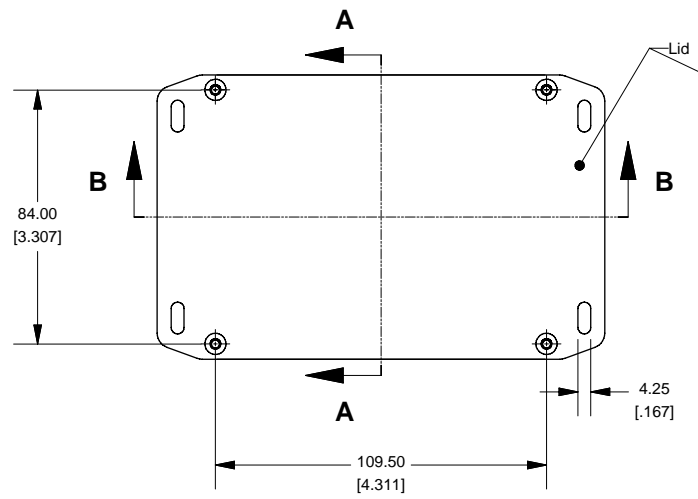


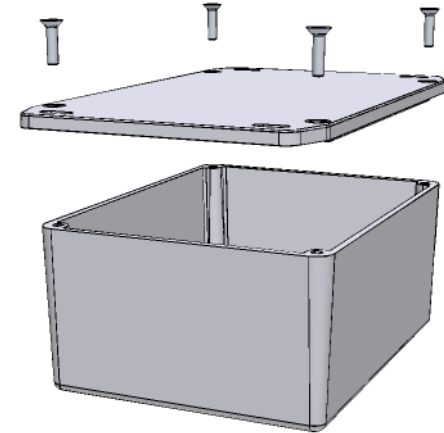
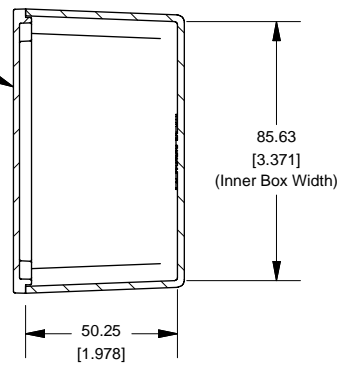
<b>Order code</b>	<b>Manufacturer code</b>	<b>Description</b>
30-3797	n/a	n/a

	Page 1 of 2
The enclosed information is believed to be correct, Information may change without notice due to product improvement. Users should ensure that the product is suitable for their use. E. & O. E.	Revision A 20/02/2007

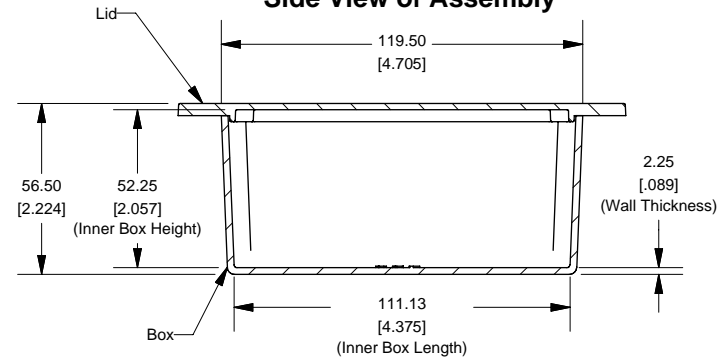
### Top View of Assembly



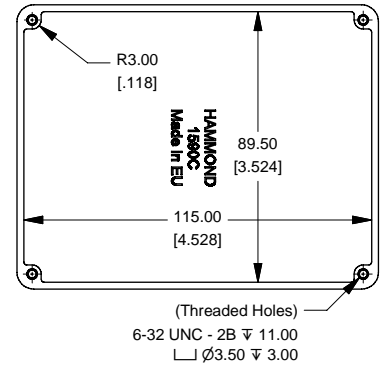
### SECTION A-A End View of Assembly



### SECTION B-B Side View of Assembly



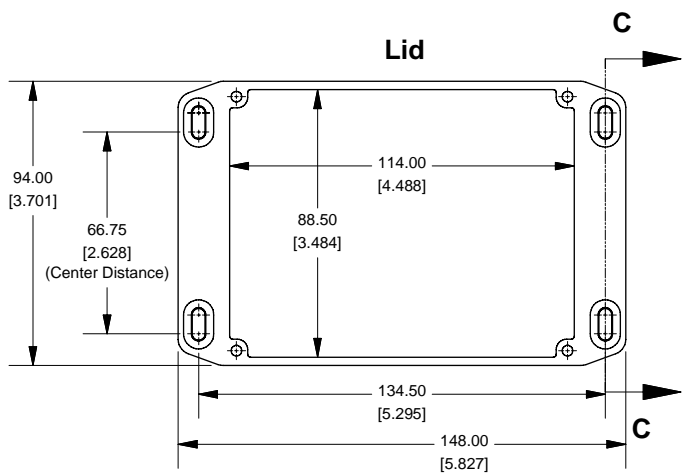
### Top View Looking Inside Box



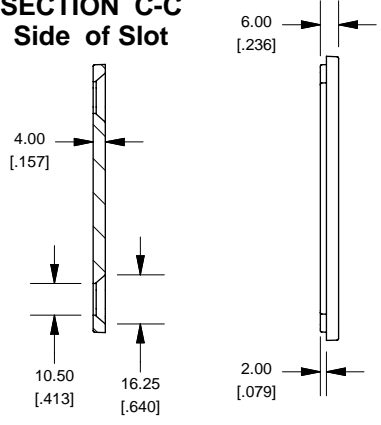
Enclosures can be Factory Modified ( Milling, Drilling, Printing etc.)  
 Contact Factory [mjm@hammondmfg.com](mailto:mjm@hammondmfg.com) for quotes  
 Solid models of this enclosure available in STEP or IGES.

NOTE	
Purchased assembly includes box, lid and 4 cover screws. Box and lid are made from Diecast Aluminum Alloy (alloy type 380). Silicone Gasket Loctite #5950	
PART NUMBERS	
1590CFL Enclosure	
Unfinished	1590CFL
Grey Textured Polyester Powder Paint - RAL 7038	1590CFLGY
Black Textured Polyester Powder Paint - RAL 9011	1590CFLBK
1590CFL Liquid Resistant Enclosure (Silicon Factory Installed Gasket)	
Unfinished	1590WCFL
Black Textured Powder Paint	1590WCFLBK
ACCESSORIES	
Recommended Torque: 75 ozf.in / 55 cN.m	
Black Textured Cover Screws (Pkg 50) [6-32 x 1/2" SS Type 304]	1590WMS100BK
Unfinished Cover Screws (Pkg 100) [6-32 x 1/2" Nickel Plated Screws]	1590WMS100
Standard Cover Screws	
Unfinished Cover Screws (Pkg 100) [6-32 x 1/2" Nickel Plated Screws]	1590MS100
Black Textured Cover Screws (Pkg 50) [6-32 x 1/2" SS Type 304]	1590MS100BK

### Lid



### SECTION C-C Side of Slot



**HAMMOND  
MANUFACTURING™**

**1590CFL**

[www.hammondmfg.com](http://www.hammondmfg.com)