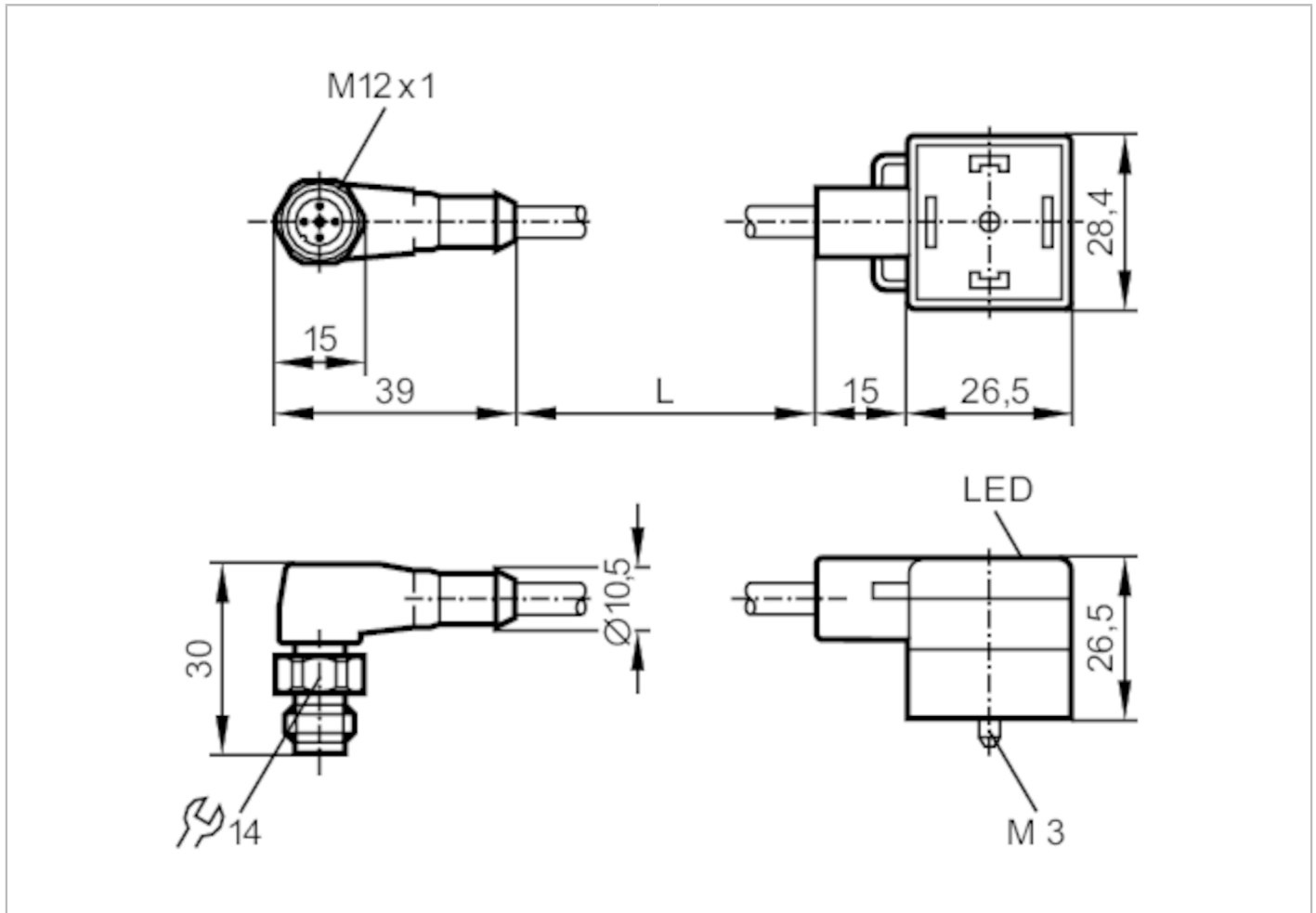


E10817



Jumper cable with valve plug

VVDAA041--S00,3A03STA030VAS



Application		
Special feature	Halogen-free	
Electrical data		
Operating voltage [V]	< 24 AC/DC	
Overtoltage protection	yes; (VDR)	
Operating conditions		
Ambient temperature [°C]	-25...90	
Protection	IP 67	
Mechanical data		
Weight [g]	62.3	
Dimensions [mm]	30 x 15 x 39	
Materials	TPU	
Material nut	stainless steel (1.4404 / 316L) / stainless steel (1.4404 / 316L)	
Displays / operating elements		
Display	operation	1 x LED, yellow
Accessories		
Accessories (supplied)	screw panel for labelling	

E10817



Jumper cable with valve plug

VVDAA041--S00,3A03STAH030VAS

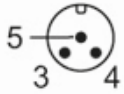
Remarks

Pack quantity

1 pcs.

Electrical connection - plug

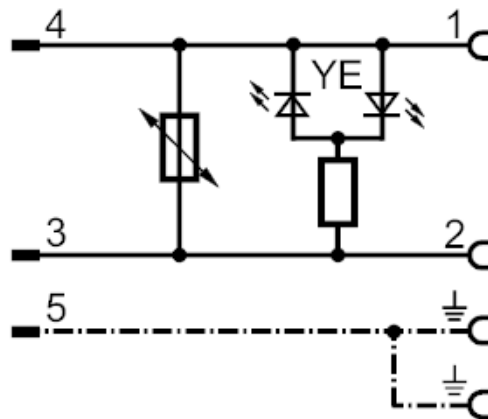
Connector: 1 x M12, angled; Moulded body: TPU; Locking: stainless steel (1.4404 / 316L)



Electrical connection

Cable: 0.3 m, PUR, Halogen-free, black, Ø 4.8 mm; 3 x 0.5 mm² (16 x Ø 0.2 mm)

Connection



Electrical connection - socket

Connector: 1 x valve type A DIN, angled; Moulded body: TPU; Locking: stainless steel (1.4404 / 316L)

