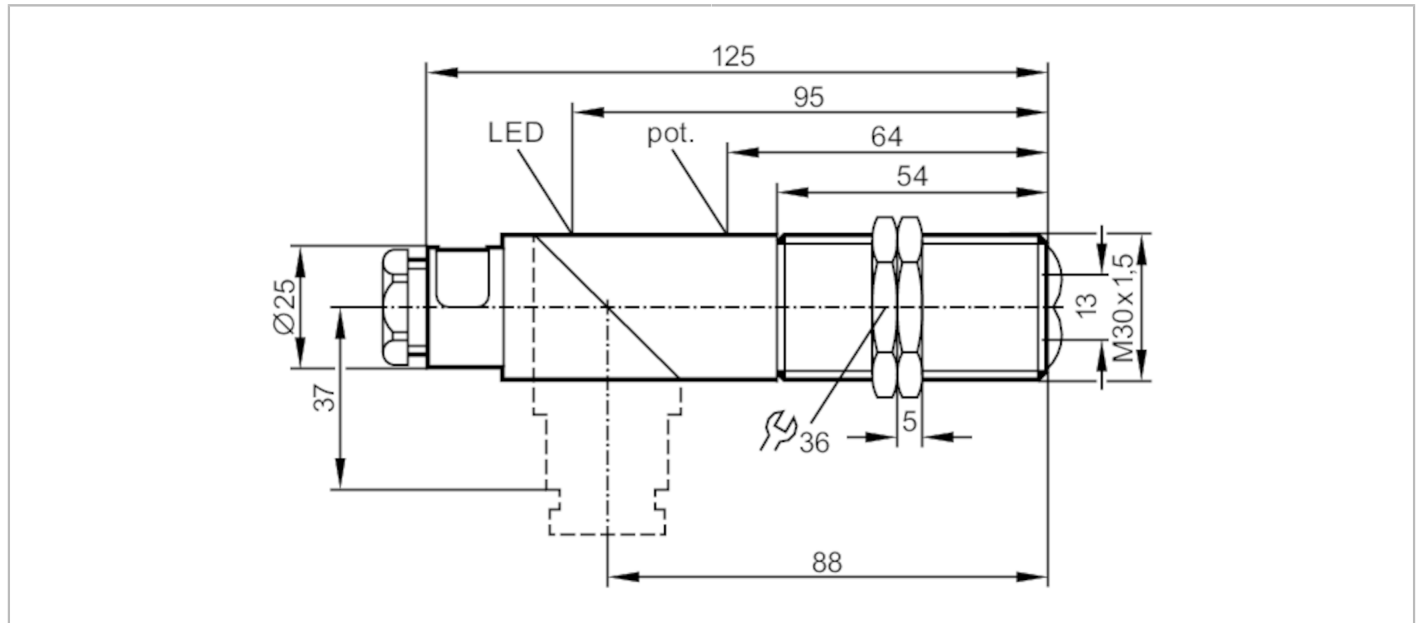




## Retro-reflective sensor

OIP-FPKG



Product characteristics	
Type of light	red light
Housing	threaded type
Dimensions [mm]	M30 x 1.5 / L = 125
Application	
Special feature	polarisation filter
Function principle	Retro-reflective sensor
Electrical data	
Operating voltage [V]	10...55 DC
Current consumption [mA]	25; ((24 V))
Protection class	II
Reverse polarity protection	yes
Type of light	red light
Wave length [nm]	660
Outputs	
Electrical design	PNP
Output function	light-on/dark-on mode; (programmable)
Max. voltage drop switching output DC [V]	2.5
Permanent current rating of switching output DC [mA]	250
Switching frequency DC [Hz]	65
Short-circuit protection	yes
Type of short-circuit protection	pulsed
Overload protection	yes

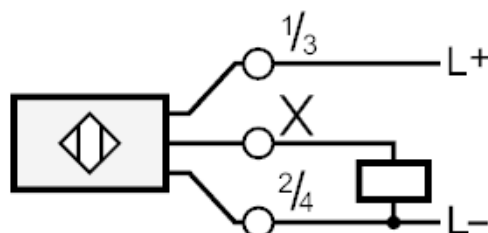


## Retro-reflective sensor

OIP-FPKG

Detection zone		
Range referred to prismatic reflector [m]	0.15...2; (Prismatic reflector Ø 80 E20005)	
Range adjustable	yes	
Max. light spot diameter [mm]	200	
Light spot dimensions refer to	at maximum range	
Polarisation filter available	yes	
Operating conditions		
Ambient temperature [°C]	-25...60	
Protection	IP 65	
Tests / approvals		
EMC	EN 60947-5-2	
MTTF [years]	661	
Mechanical data		
Weight [g]	127	
Housing	threaded type	
Dimensions [mm]	M30 x 1.5 / L = 125	
Thread designation	M30 x 1.5	
Materials	PBT; PPO modified	
Lens material	PMMA	
Displays / operating elements		
Display	switching status	1 x LED, yellow
Accessories		
Accessories (supplied)	lock nuts: 2 x screwdrivers	
Remarks		
Pack quantity	1 pcs.	
Electrical connection		
terminals: ...1.5 mm <sup>2</sup> ; Cable sheath: Ø 7...13 mm; Cable gland: M20 X 1.5		

### Connection





## Retro-reflective sensor

OIP-FPKG

### Diagrams and graphs

excess gain graph

