

MTS 1-PHASE CONTROL AND ISOLATION TRANSFORMER

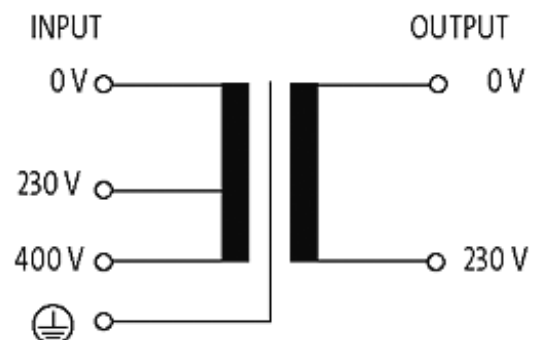
P: 100VA IN: 230/400VAC OUT: 230VAC

Single-phase - Control and Isolation Transformers
 100 VA
 Isolation class T 40/B
 Spring clamp terminals
 Protection IP20

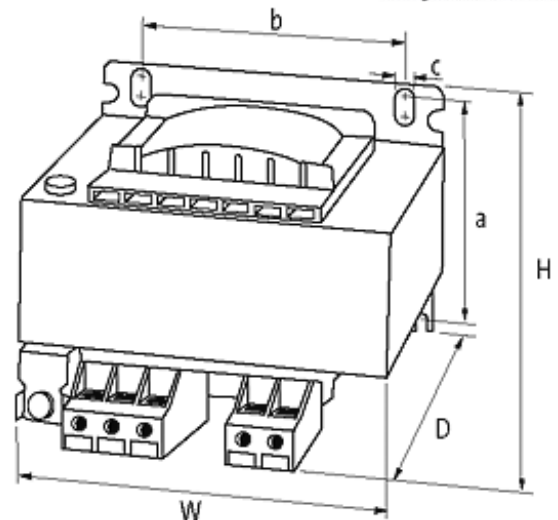
Other voltages on request.

[Link to Product](#)

Illustration



stay connected



Product may differ from Image

Approvals



Input

| | |
|-----------------------|--------------------------------------|
| Input voltage | 230/400 V AC |
| Frequency | 50...60 Hz |
| Input current | 0.51 A (230 V AC); 0.29 A (400 V AC) |
| Inrush current | 3.53 A (230 V AC); 2 A (400 V AC) |
| Short-circuit current | 4.86 A (230 V AC); 2.8 A (400 V AC) |

General data

| | |
|--------------------------|--|
| Standards | (EN 61558-1), (EN 61558-2-4), (EN 62041 category 0) |
| Test isolation voltage | 4 kV (prim./sec.) |
| Mounting method | Long-hole mounting or DIN-rail mountable TH35 (EN 60715) |
| Temperature range | -20...+40 °C, no condensation |
| Dimensions H x W x D | 86x84x98 mm |
| Fixing centers a x b x c | 64.5x64x4.8 mm |
| Drill hole Ø | 4.8x8.4 mm |

Output

| | |
|----------------|----------|
| Output voltage | 230 V AC |
|----------------|----------|

Commercial data

| | |
|------------------------|----------|
| country of origin | CZ |
| customs tariff number | 85043180 |
| minimum order quantity | 1 |