

**MOSA M12 FEMALE 90° 3LED FIELD-WIREABLE (IDC)**4-pol. 0.25...0.5mm<sup>2</sup>

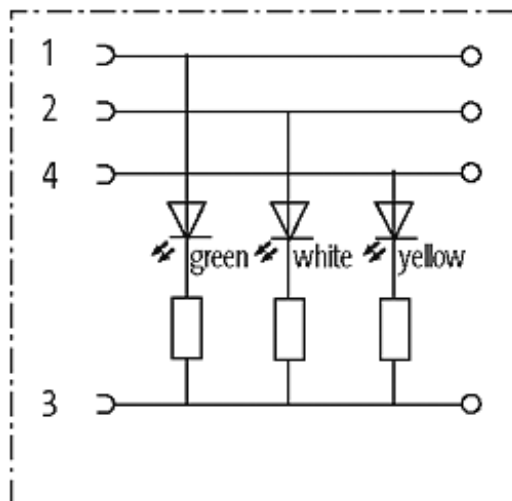
Female 90°

4-pole with 3 × LED (PNP)

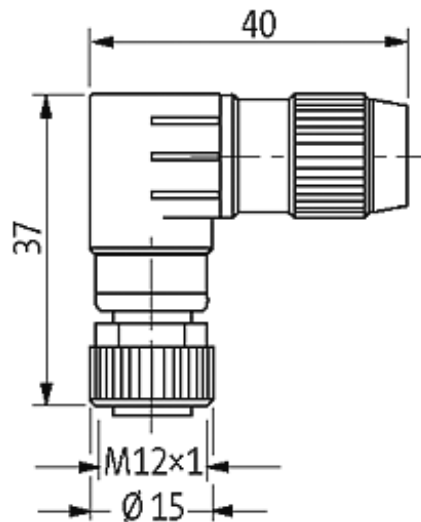
Connection cross section: 0.25...0.5 mm<sup>2</sup>

Art.-No. 7005 - M12 Lite - (plastic hexagonal screw) on request

The resistance to aggressive media should be individually tested for your application.  
Further details on request.

[Link to Product](#)**Illustration**

# Female



Product may differ from Image

## Approvals



## Form

12691

## Technical Data

Operating voltage	24 V DC $\pm 25\%$
Operating current per contact	max. 4 A
Connection cross section	0.25...0.5 mm <sup>2</sup> (conductor diameter min. 0.1 mm)
Sealing range (cable diameter)	4...5.1 mm
Wire isolation	PVC, PP, TPE
Outer wire diameter	1.2...1.6 mm
Locking of parts	Screw thread M12 $\times$ 1 mm (recommended torque 0.6 Nm) self-

The information in this brochure has been compiled with the utmost care.

Liability for the correctness completeness and topicality of the information is restricted to gross negligence. Version: 05/15

Locking of ports	securing
Protection	IP65 and IP67 when plugged and screwed down (EN 60529)
<b>General data</b>	
Temperature range	-25...+85 °C
Dimensions H × W × D	37×40×15 mm
<b>Commercial data</b>	
country of origin	DE
customs tariff number	85369010
minimum order quantity	1