



Model Number

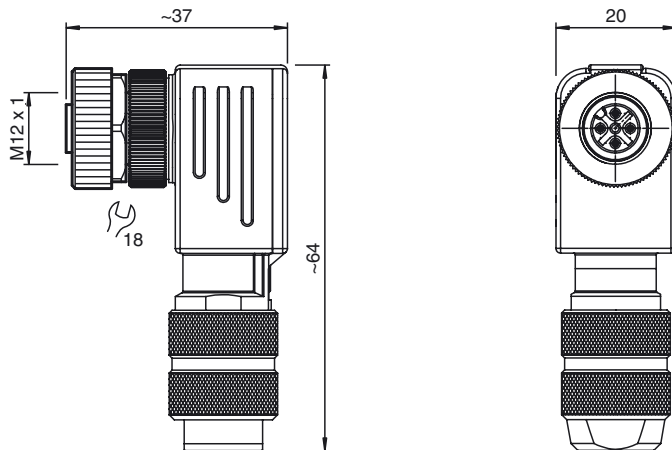
V15S-W-ABG-PG9

4-pin, M12, screened cable connector,
field attachable

Features

- Screw terminal connection
- Metal locking
- Metal housing
- Iris spring screening
- Gold plated contacts

Dimensions



Technical data

General specifications

Number of pins	4
Connection 1	Male connector
Construction type 1	right angle
Threading 1	M12
UL File Number	E363587

Electrical specifications

Operating voltage	U_B	max. 125 V AC/DC
Operating current		4 A
Volume resistance		< 3 m Ω

Ambient conditions

Ambient temperature	-40 ... 85 °C (-40 ... 185 °F)
Pollution Degree	3

Mechanical specifications

Degree of protection	IP67
Connection	Screw terminals for max. 0.75 mm ² PG9 cable gland
Material	
Contacts	CuZn
Contact surface	Au
Body	Zinc die-casting, nickel-plated
Slotted nut	Zinc die-casting, nickel-plated
Cable	
Sheath diameter	5 ... 8 mm

Compliance with standards and directives

Standard conformity	
Degree of protection	EN 60529:2000

Electrical connection

