



Figure similar

AS-INTERFACE ACCESSORIES EXTENSION PLUG
DOUBLING THE CABLE LENGTH TO 200 M PER AS-
INTERFACE SEGMENT DEG. OF PROTECTION IP67
DIRECT CONNECTION TO AS-INTERFACE PROFILE
CABLE

General technical data:

Design of the product		AS-Interface extension plug compact
Design of the slave type		no slave integrated
Voltage supply using AS-Interface		Yes
Operating voltage acc. to AS Interface specification	V	26.5 ... 31.6
Status display		
<ul style="list-style-type: none"> • U AS-Interface 		none

Connections/ Terminals:

Design of the AS-Interface connection		Direct connection to AS-i ribbon cable
AS interface		
<ul style="list-style-type: none"> • Connection Polarity reversal protection 		yes
<ul style="list-style-type: none"> • total current input max 	mA	15

Ambient conditions:

Ambient temperature during operation	°C	-25 ... +70
Protection class IP		IP67

Certificates/ approvals:

General Product Approval

Shipping Approval



other

[Environmental
Confirmations](#)

[Declaration of
Conformity](#)

[Confirmation](#)

Further information

Information- and Downloadcenter (Catalogs, Brochures,...)

<http://www.siemens.com/industrial-controls/catalogs>

Industry Mall (Online ordering system)

<http://www.siemens.com/industrymall>

Cax online generator

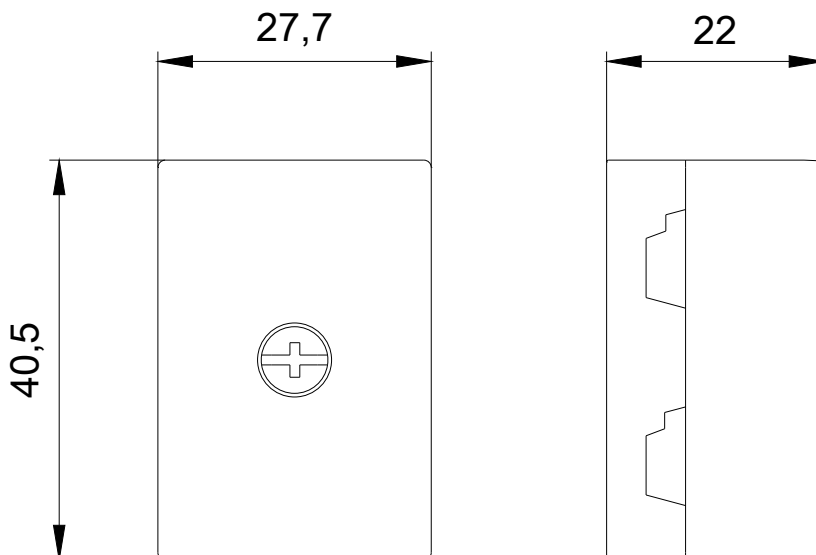
<http://support.automation.siemens.com/WW/CAXorder/default.aspx?lang=en&mlfb=3RK19011MX02>

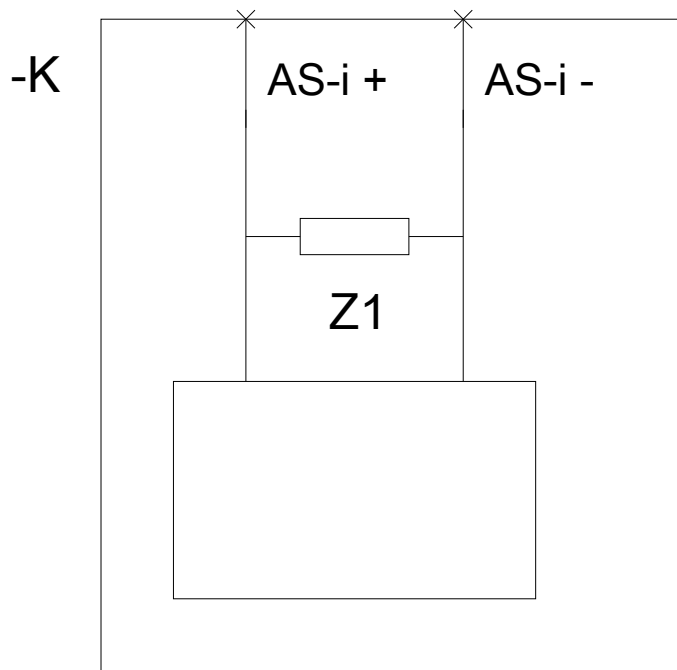
Service&Support (Manuals, Certificates, Characteristics, FAQs,...)

<http://support.automation.siemens.com/WW/view/en/3RK19011MX02/all>

Image database (product images, 2D dimension drawings, 3D models, device circuit diagrams, EPLAN macros, ...)

<http://www.automation.siemens.com/bilddb/index.aspx?attID9=3RK19011MX02&lang=en>





last modified:

15.01.2015