





DRIVE TWIST LEVER METAL FOR POSITION SWITCH 3SE51 LE /RIGHT ADJUSTABLE, W/O LEVER FUNCTIONAL AT -40 DEGREES

Product designation		Semi-rotary actuator for position switch
<b>General technical data:</b>		
Shock resistance		30g / 11 ms
Vibration resistance		0.35 mm / 5g
Material of the enclosure of the switch head		metal
Equipment marking		
• acc. to DIN EN 61346-2		T
• acc. to DIN EN 81346-2		T
Active principle		mechanical
Explosion protection category for dust		none
Explosion protection category for gas		none
Minimum actuating torque in activation direction	N·m	0.25
<b>Enclosure:</b>		
Coating of the enclosure		Other types
<b>Drive Head:</b>		
Design of the operating mechanism		without
<b>Communication/ Protocol:</b>		
Design of the interface		without
<b>Ambient conditions:</b>		
Ambient temperature		
• during operation	°C	-40 ... +85
• during storage	°C	-40 ... +90
<b>Installation/ mounting/ dimensions:</b>		

mounting position	any
Mounting type	lockable plug-in fixing

Certificates/ approvals:

General Product Approval	Declaration of Conformity	Test Certificates	other
 CSA	 UL		 EG-Konf.
		<a href="#">Special Test Certificate</a>	<a href="#">Confirmation</a>

Further information

**Information- and Downloadcenter (Catalogs, Brochures,...)**

<http://www.siemens.com/industrial-controls/catalogs>

**Industry Mall (Online ordering system)**

<http://www.siemens.com/industrymall>

**Cax online generator**

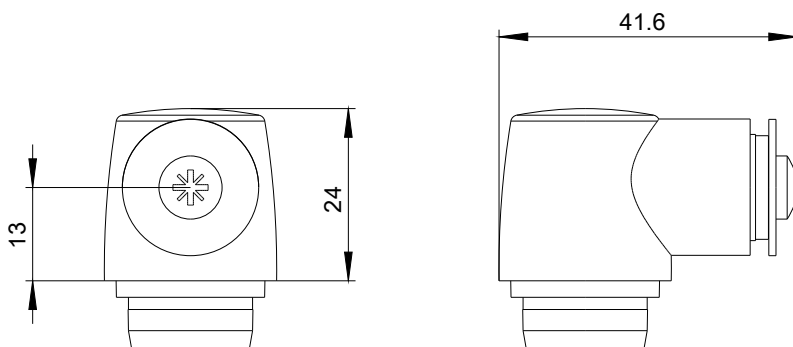
<http://support.automation.siemens.com/WW/CAXorder/default.aspx?lang=en&mlfb=3SE50000AH001AJ0>

**Service&Support (Manuals, Certificates, Characteristics, FAQs,...)**

<http://support.automation.siemens.com/WW/view/en/3SE50000AH001AJ0/all>

**Image database (product images, 2D dimension drawings, 3D models, device circuit diagrams, EPLAN macros, ...)**

[http://www.automation.siemens.com/bilddb/cax\\_de.aspx?mlfb=3SE50000AH001AJ0&lang=en](http://www.automation.siemens.com/bilddb/cax_de.aspx?mlfb=3SE50000AH001AJ0&lang=en)



**last modified:**

16.03.2015