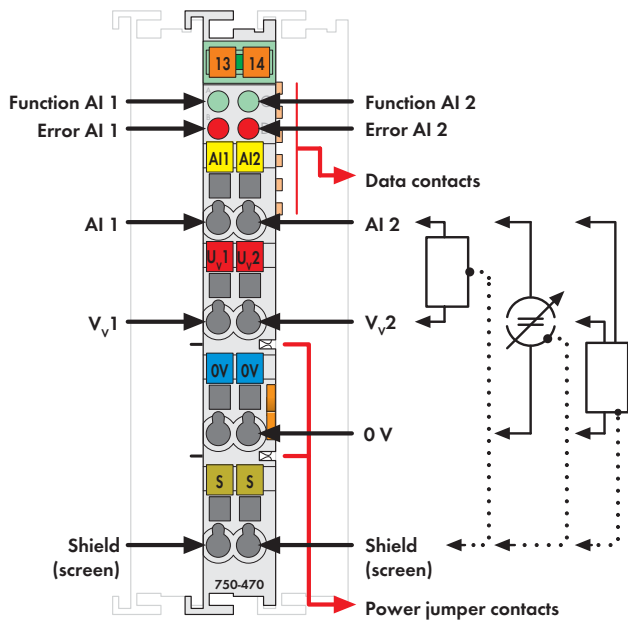
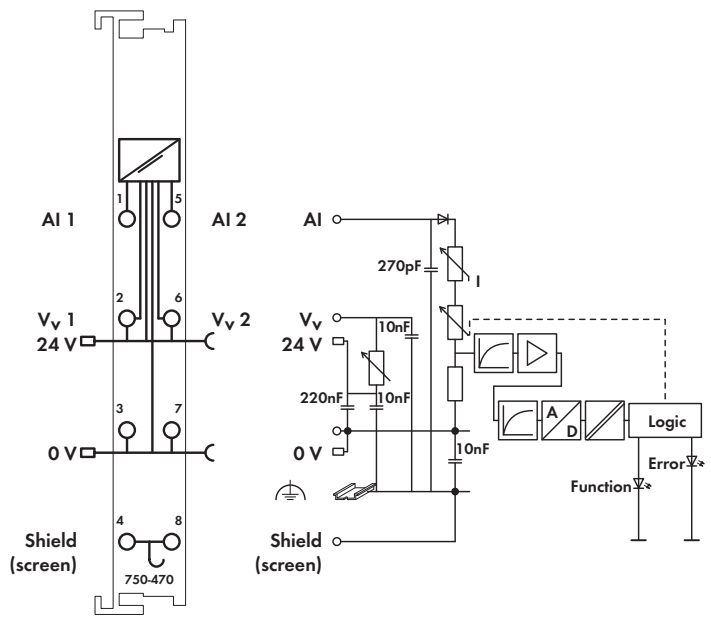


# 2-Channel Analog Input Module 0/4-20 mA

Single-ended (S.E.), short-circuit protected



Delivered without miniature WSB markers



The analog input module receives signals with the standardized values 0-20mA and 4-20mA. The output signal is electrically isolated and will transmit with a 12-bit resolution.

This module can supply the voltage for 2-conductor transducers.

The 24V supply for the field is derived from the power jumper contacts.

A short-circuit to the power supply is indicated as error/fieldbus failure and a message is sent to the supervisory control.

The shield (screen) is directly connected to the DIN rail.

Description	Item No.	Pack. Unit
2AI 0-20mA, S.E., S. C. Protec.	750-470	1
2AI 0-20mA, S.-E., S. C. Protec., 60 Hz	750-470/005-000	1
2AI 4-20mA, S.-E., S.C.Protect.	750-473	1
2AI 4-20mA, S.-E., S. C. Protec., 60 Hz	750-473/005-000	1
<b>Accessories</b>		
<b>Miniature WSB Quick marking system</b>		
plain	248-501	5
with marking	see Section 11	
<b>Approvals</b>		
Conformity marking	CE	
Korea Certification		
Marine applications (versions upon request)	ABS, BV, DNV, GL, KR, LR, NKK, PRS, RINA	
UL 508	Class I, Div. 2, Grp. ABCD, T4	
ANSI/ISA 12.12.01	I M2 Ex d I Mb,	
TÜV 07 ATEX 554086 X	II 3 G Ex nA IIC T4 Gc,	
	II 3 D Ex tc IIIC T135°C Dc	
Permissible ambient temperature	0 °C ... +60 °C	
IECEx TUN 09.0001 X	Ex d I Mb,	
	Ex nA IIC T4 Gc,	
	Ex tc IIIC T135°C Dc	
Permissible ambient temperature	0 °C ... +60 °C	

Technical Data	
Number of inputs	2
Power supply	via system voltage DC/DC
Current consumption typ. (internal)	100 mA
Signal current	0 - 20mA (750-470)
	4 - 20mA (750-473)
Input voltage	non-linear, overload protected
	$V = 1.2 V + 100 \Omega \times I$ meas.
Input resistance (typ.)	< 160 $\Omega$ / 20 mA
Resolution	12 bits
Conversion time (typ.)	80 ms
Measuring error (25 °C)	< $\pm 0.1$ % of the full scale value
Temperature coefficient	< $\pm 0.01$ % / K of the full scale value
Isolation	500 V field/system
Bit width	2 x 16 bits data
	2 x 8 bits control/status (optional)
Input filter	50Hz (750-470, 750-473)
	60Hz (750-470/005-000, 750-473/005-000)
Noise rejection at sampling frequency	< -100 dB
Noise rejection above sampling frequency	< -40 dB
Wire connection	CAGE CLAMP®
Cross sections	0.08 mm <sup>2</sup> ... 2.5 mm <sup>2</sup> / AWG 28 ... 14
Strip lengths	8 ... 9 mm / 0.33 in
Width	12 mm
Weight	55.5 g
EMC immunity of interference	acc. to EN 61000-6-2, marine applications
EMC emission of interference	acc. to EN 61000-6-3, marine applications