

 **GOYEN** SERIES 4

# PILOT VALVES

FOR INTEGRAL PILOT (CA) APPLICATIONS

# RCA3DM

PILOT VALVE



## CONSTRUCTION

- Encapsulation:** PA-6
- C-Frame:** Mild steel, zinc passivated
- Bobbin:** PA-6
- Insulation class:** B/130°C
- IP Rating:** IP64
- Rating:** Non-continuous use only
- Clip:** Mild steel (mechanically plated)

## OPERATION

- Recommended on time range:** 50 to 500 ms
- Recommended time between pulses:** 1 minute or greater

## CERTIFICATION AND CONFORMITIES

- C-Tick
- EMC (89/336/CE)
- LV
- CSA

## SPARE PARTS:

- K0380 – Kit includes Nitrile replacement seal, armature, spring and ferrule.
- K0384 – Kit includes Viton replacement seal, armature, spring and ferrule.

Please refer to page 3 of the Pilot Valves and Nema 4 Enclosures catalogue for replacement coil options.

## HOW TO ORDER

**Part Code** RCA3DM-301

**Valve Type** RCA – Pilot valve – Remote-controlled air

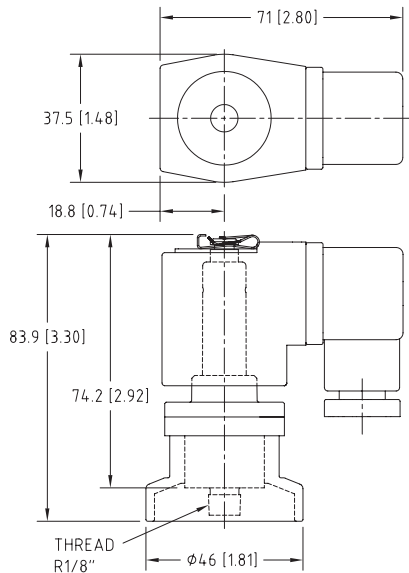
**Pilot Size** 3 – 1/8" Pipe thread

**Body Style** DM – Male inlet, R 1/8" thread, suits all Series 4 RCAC valves

**Coil Series** 3 – Goyen 'Q' coil

## DIMENSIONS

(Dimensions in mm and [inches])



## FOR INTEGRAL PILOT (CA) APPLICATIONS:

The RCA3DM is a pilot valve with an integral silencer and dust shroud which mounts directly (screw-in) to the 4 series valve cover.

RCA3DM and RCA3PV are suitable piloting options for all 4 Series valves and the RCA35T diaphragm valve.

## PRODUCT PERFORMANCE

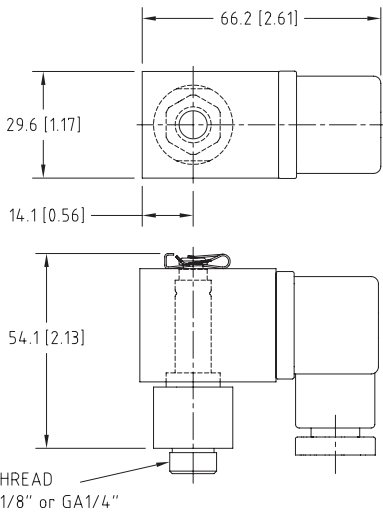
FLOW	MAXIMUM WORKING PRESSURE	MINIMUM WORKING PRESSURE	TEMPERATURE MIN.	TEMPERATURE MAX.	FLUID MEDIA
0.32 Cv	860 kPa	0 kPa	-40°C	82°C	Air or
0.27 Kv	125 psi	0 psi	-40°F	180°F	inert gas

## ORDER CODE AND ELECTRICAL CHARACTERISTICS

MODEL	CONNECTION TYPE	PROTECTION CLASS	VOLTAGE	POWER
300	DIN 43650A	IP64	200/240 V 50/60 Hz	23.1 VA
301	DIN 43650A	IP64	100/120 V 50/60 Hz	19.8 VA
302	DIN 43650A	IP64	24 V 50/60 Hz	23.1 VA
303	DIN 43650A	IP64	110 V DC	24 W
304	DIN 43650A	IP64	48 V DC	20 W
305	DIN 43650A	IP64	24 V DC	20 W
306	DIN 43650A	IP64	12 V DC	20 W
310	Conduit (M20 × 1.5)	IP31	200/240 V 50/60 Hz	23.1 VA
311	Conduit (M20 × 1.5)	IP31	100/120 V 50/60 Hz	19.8 VA
312	Conduit (M20 × 1.5)	IP31	24 V 50/60 Hz	23.1 VA
313	Conduit (M20 × 1.5)	IP31	24 V DC	20 W
314	Conduit (M20 × 1.5)	IP31	12 V DC	20 W
320	Conduit (1/2" NPSC)	IP31	200/240 V 50/60 Hz	23.1 VA
321	Conduit (1/2" NPSC)	IP31	100/120 V 50/60 Hz	19.8 VA
322	Conduit (1/2" NPSC)	IP31	24 V 50/60 Hz	23.1 VA
323	Conduit (1/2" NPSC)	IP31	24 V DC	20 W
324	Conduit (1/2" NPSC)	IP31	12 V DC	20 W

# RCA3PV

PILOT VALVE



## FOR INTEGRAL PILOT (CA) APPLICATIONS:

The RCA3PV pilot is another option for integral pilot (CA) applications. The RCA3PV pilot is a screw-in pilot available in 1/8" and 1/4" port sizing.

RCA3DM and RCA3PV are suitable piloting options for all 4 Series valves and the RCA35T diaphragm valve.

## CONSTRUCTION

- Encapsulation:** PA-6
- C-Frame:** Mild steel, zinc nickel plated
- Bobbin:** PA-6
- Insulation class:** F/155°C
- IP Rating:** IP65
- Rating:** Non-continuous use only
- Clip:** Mild steel (mechanically plated)

## OPERATION

- Recommended on time range:** 50 to 500 ms
- Recommended time between pulses:** 1 minute or greater

## CERTIFICATION AND CONFORMITIES

- EMC (89/336/CE)
- LV

## SPARE PARTS:

No pilot valve overhaul kits are available for the RCA3PV pilot; however, coil kits are available as listed below:

- K0203 – Dual rating: 110V DC 18 W or 220/240 V 50/60 Hz – kit includes coil, stabilus clip and washer.
- K0204 – Dual rating: 48V DC 18 W or 115 V 50/60 Hz – kit includes coil, stabilus clip and washer.
- K0205 – Dual rating: 24 V DC 18 W or 48 V 50/60 Hz – kit includes coil, stabilus clip and washer.
- K0206 – Dual rating: 12V DC 18 W or 24 V 50/60 Hz – kit includes coil, stabilus clip and washer.

## PRODUCT PERFORMANCE

FLOW	MAXIMUM WORKING PRESSURE	MINIMUM WORKING PRESSURE	TEMPERATURE MIN.	TEMPERATURE MAX.	FLUID MEDIA
0.28 Cv	860 kPa	0 kPa	-40°C	82°C	Air or
0.24 Kv	125 psi	0 psi	-40°F	180°F	inert gas

## HOW TO ORDER

Part Number Code

RCA 3 P V 2 - 2 0 5

### Valve Type

RCA – Pilot valve – Remote-controlled air

### Pilot Size

3 – 1/8" Pipe thread

### Body Style

PV – Male inlet, suits all RCA and RCAC main valves

### Thread Type

Blank – R1/8" thread  
2 – GA1/4" thread

### Coil Series

2 – DIN 43650 Form B connection

### Coil Connection

0 Square DIN connector

### Voltage Options

3 Dual rating: 110V DC 18 W or 220/240 V 50/60 Hz 46/37 VA  
4 Dual rating: 48V DC 18 W or 115 V 50/60 Hz 63/53 VA  
5 Dual rating: 24 V DC 18 W or 48 V 50/60 Hz 41/32 VA  
6 Dual rating: 12V DC 18 W or 24 V 50/60 Hz 38/31 VA

For Remote Pilot (RCA) Applications:

Please refer to the Pilot Valves and Nema 4 Enclosures catalogue.