

Lisa2-Clip16-XP miniature lens for Cree XP series of LEDs



- Lens material optical grade PMMA with high UV and temperature resistance (105°C/220°F). Lens holder molded of high quality black PC.
- High optical efficiency, up to 90%.
- Integrated holder with small snap clips. See drawing below for more details. Fastening of holden the lens to PCB.
- Very small and compact dimensions: Diameter 9.9 mm, height 6.8 mm.

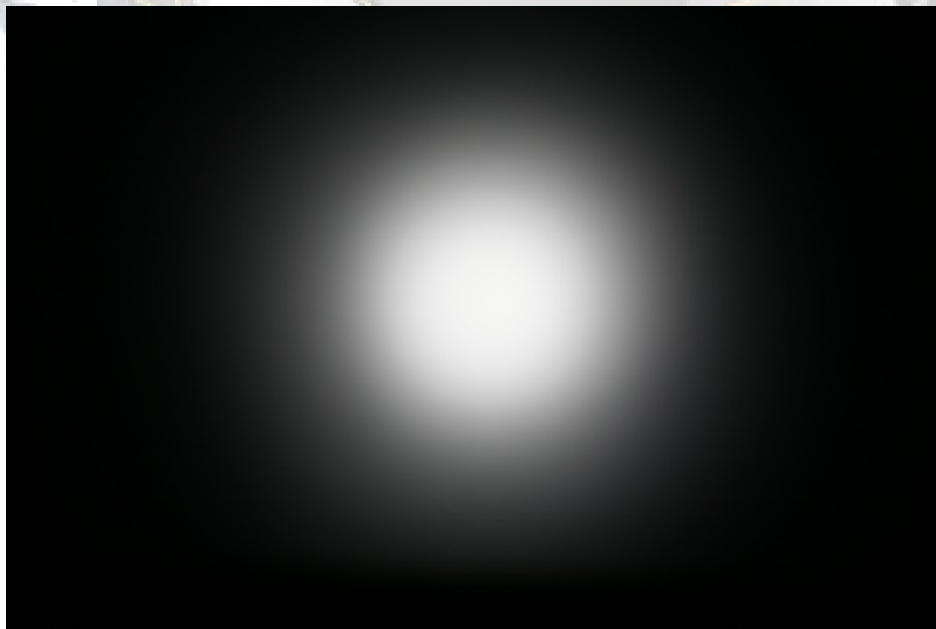
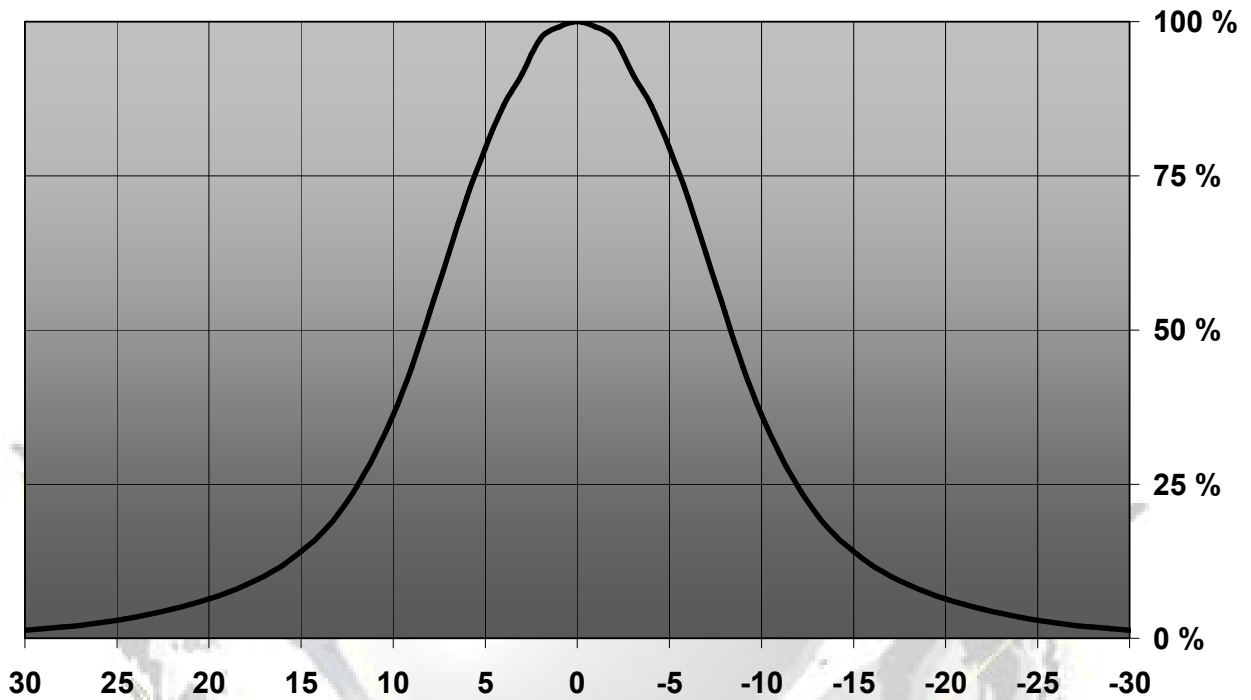
LENS TYPES

| NAME | ORDERING CODE | FWHM Angle |
|------------------------|----------------------------|-------------|
| Lisa2-Clip16 Real Spot | FA11085_Lisa2-RS-clip16-XP | ±8° |
| Lisa2-Clip16 Medium | FA11075_Lisa2-M-clip16-XP | ±12° |
| Lisa2-Clip16 Oval | FA11121_Lisa2-O-clip16-XP | ~±5° x ~16° |
| Lisa2-Clip16 Wide | FA11076_Lisa2-W-clip16-XP | ±20° |

~ results are based on simulation value.

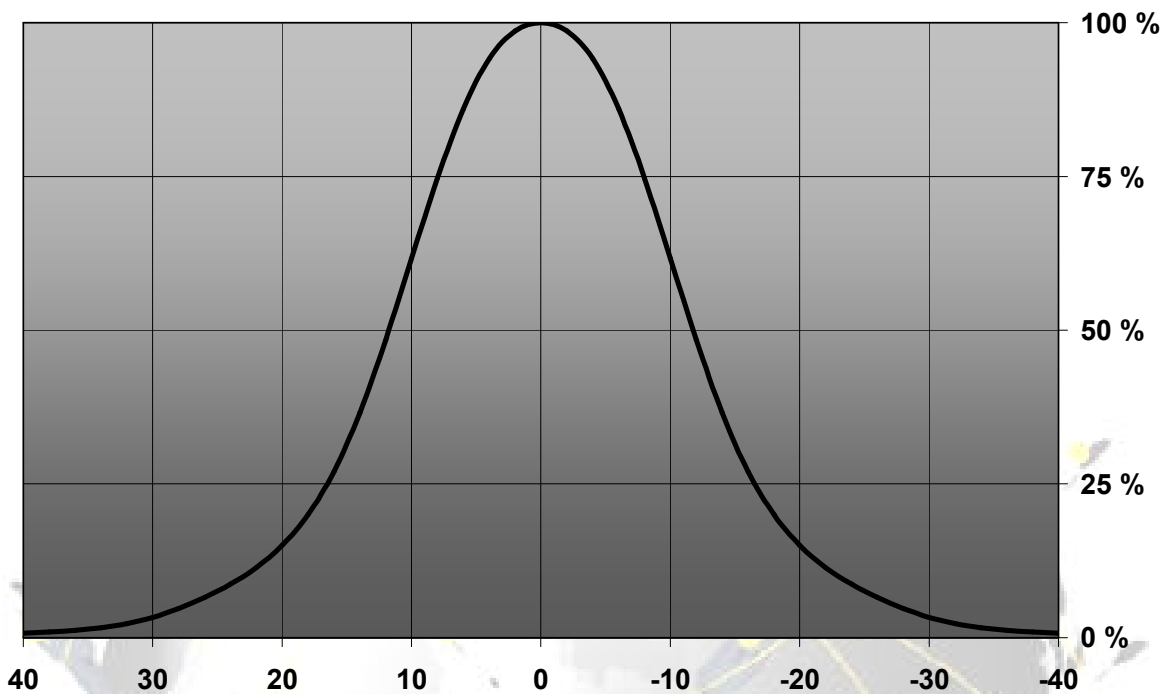
MEASUREMENT DATA

Relative Intensity of FA11055_Lisa2-RS-Pin-XP



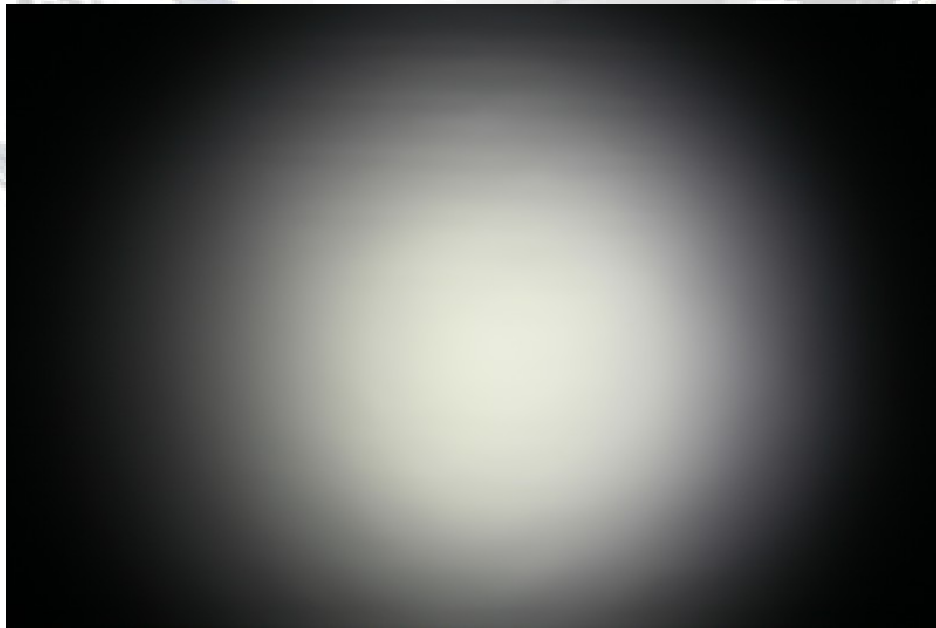
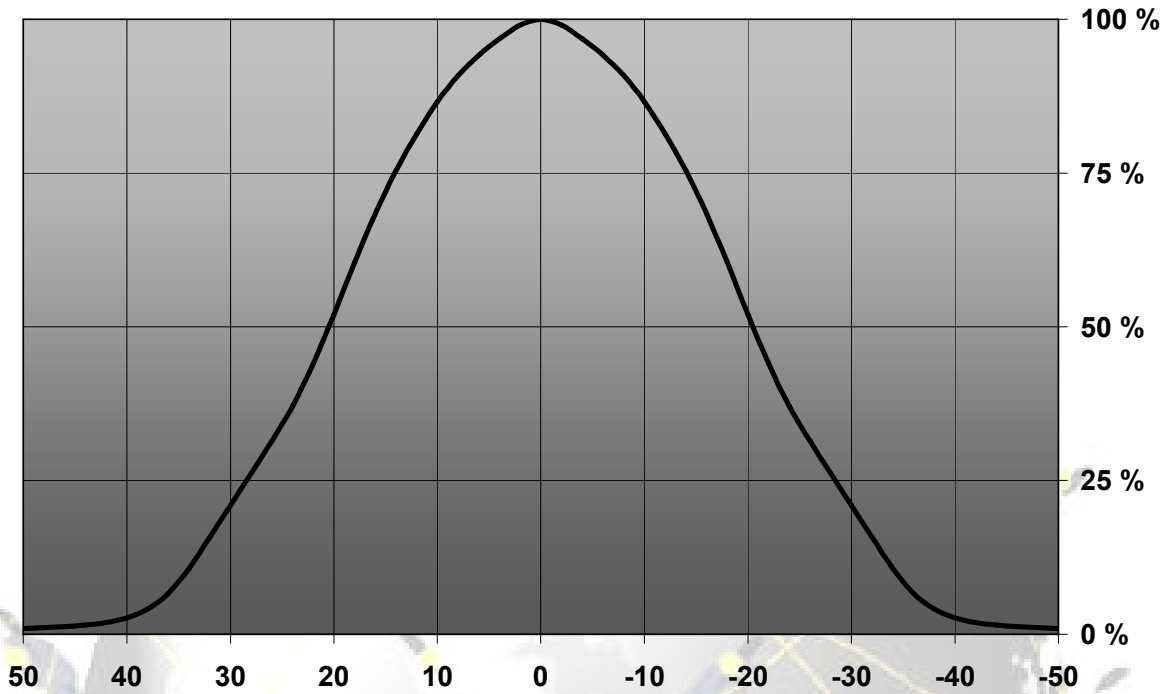
© Ledil Oy – PRELIMINARY - Subject to change without prior notice

Relative Intensity of FA10995_Lisa2-M-Pin-XP



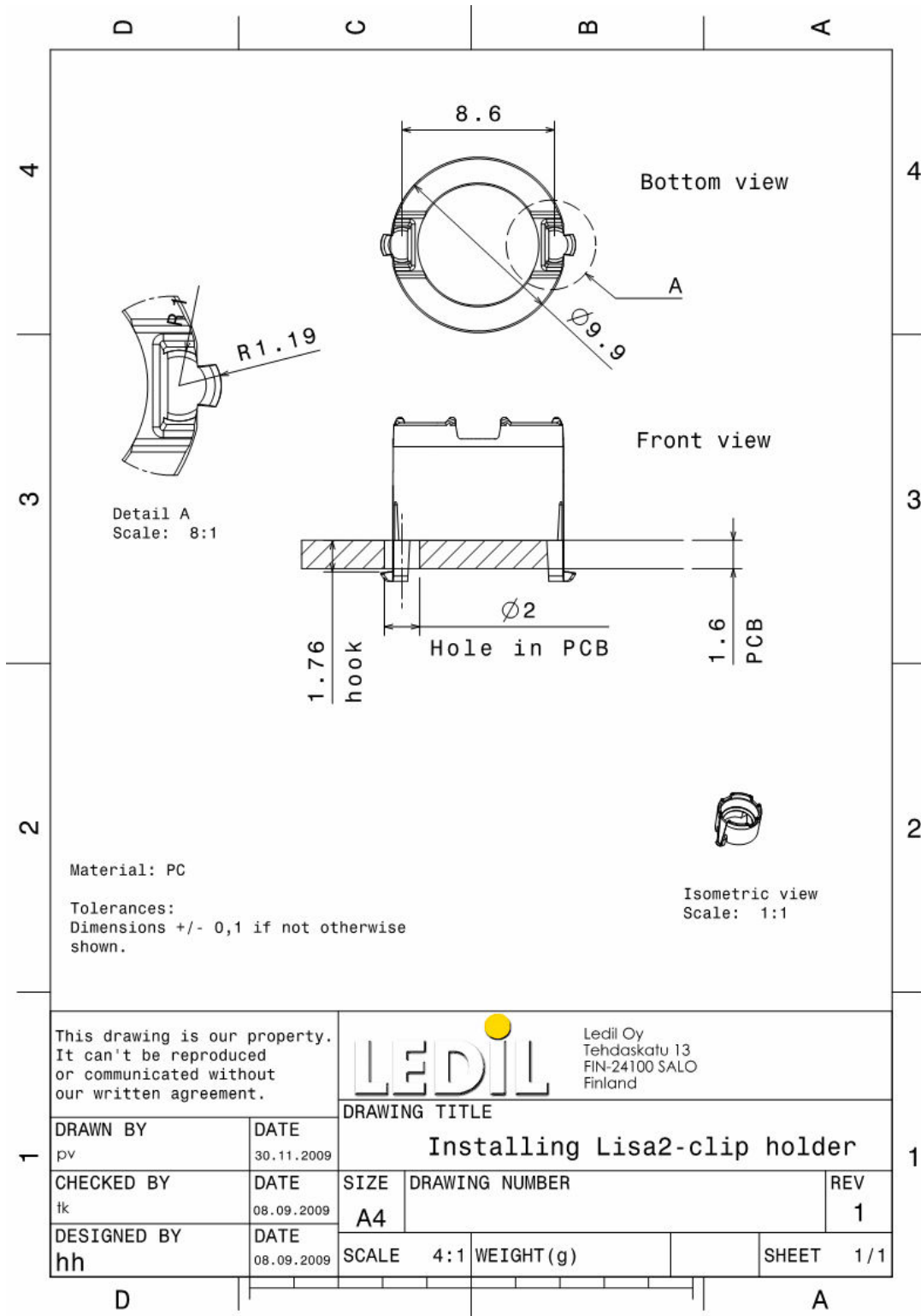
© Ledil Oy – PRELIMINARY - Subject to change without prior notice

Relative Intensity of FA10996_Lisa2-W-Pin-XP



© Ledil Oy – PRELIMINARY - Subject to change without prior notice

DRAWINGS



© Ledil Oy – PRELIMINARY - Subject to change without prior notice