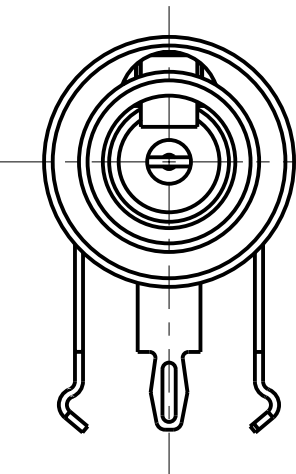
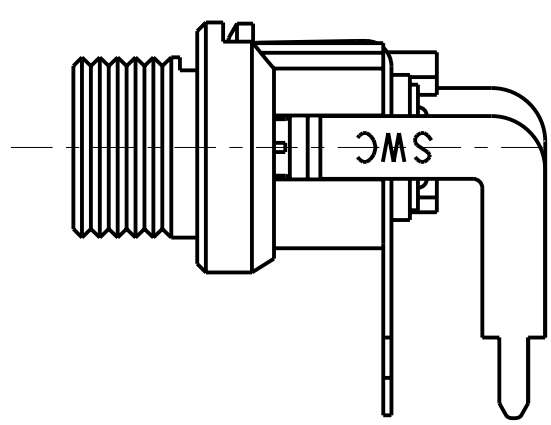
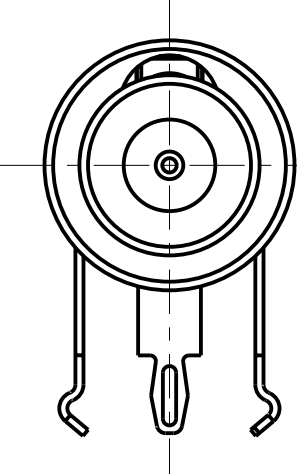
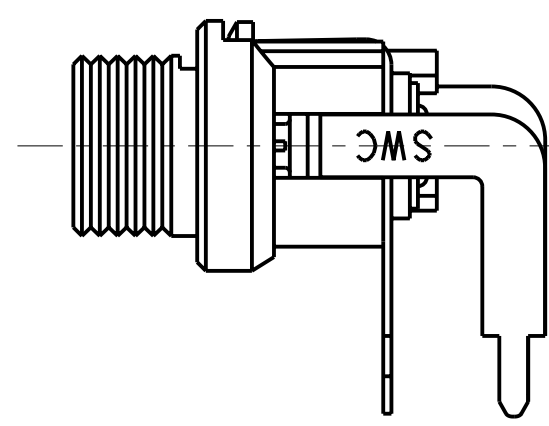


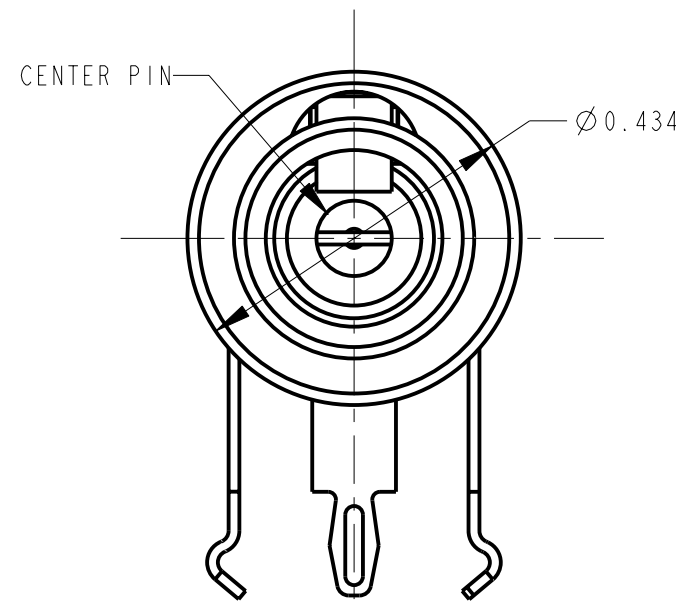
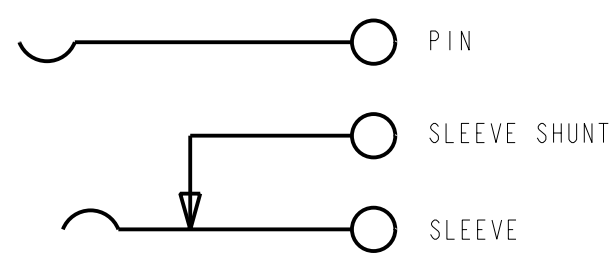
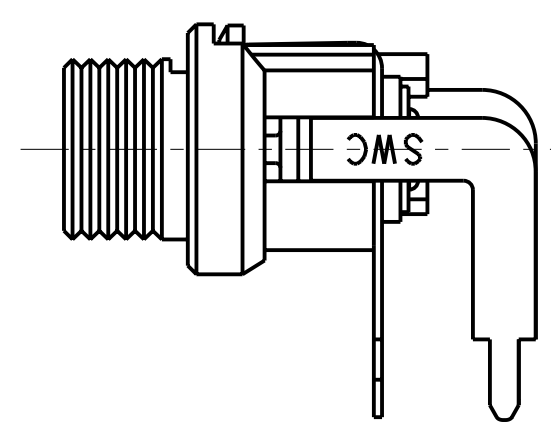
712RA
(CENTER PIN Ø0.098)
SCALE 3:1



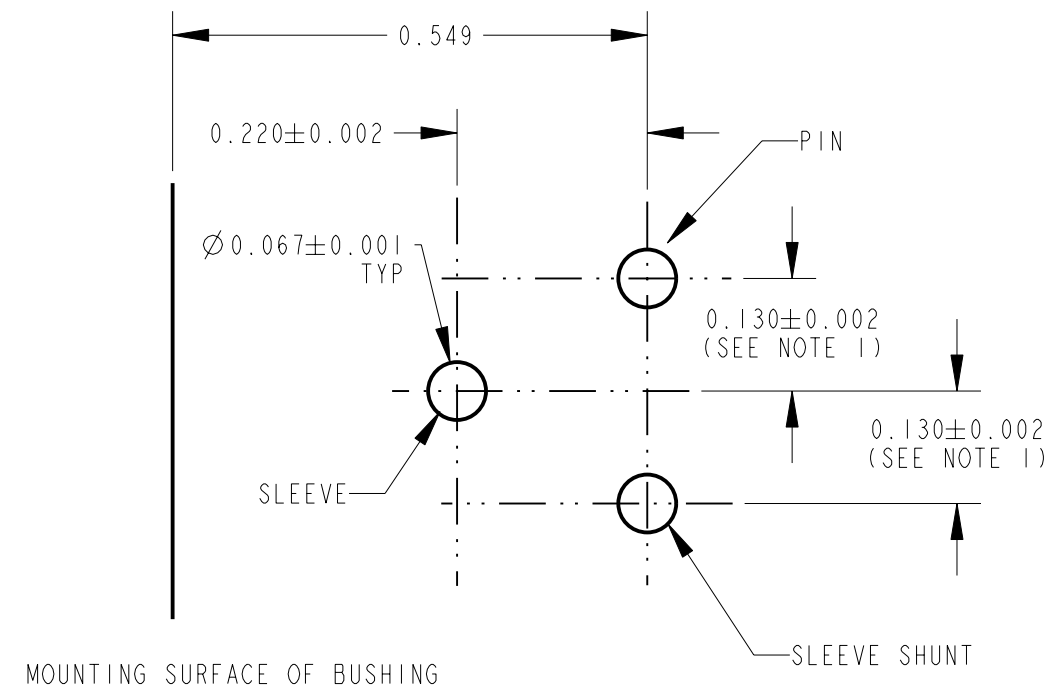
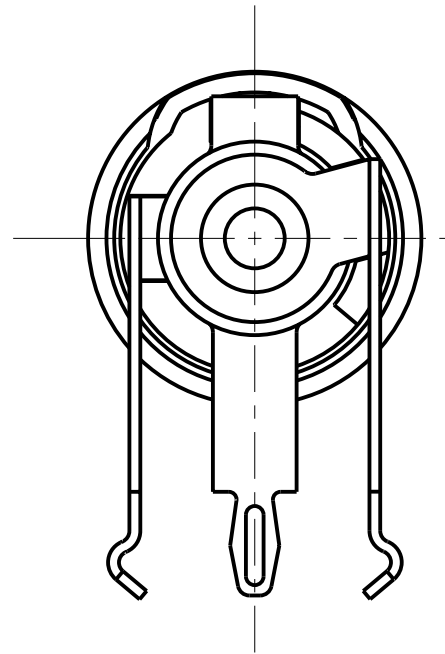
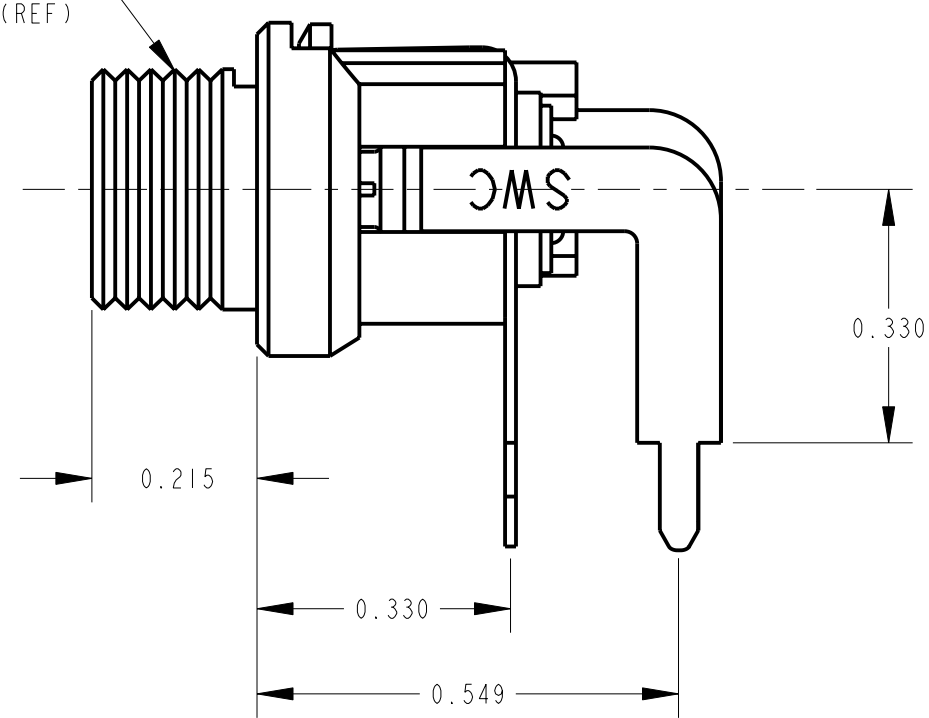
722RA
(CENTER PIN Ø0.076)
SCALE 3:1



732RA
(CENTER PIN Ø0.048)
SCALE 3:1



5/16-32 NEF-2A
THREAD (REF)



RECOMMENDED PANEL LAYOUT
(COMPONENT SIDE)

MATERIAL :

- MOUNTING BUSHING : COPPER ALLOY, NICKEL PLATED
- HOUSING: THERMOPLASTIC, BLACK
- PIN, SPRING AND TERMINALS: COPPER ALLOY, SILVER PLATED
- INSULATORS: PHENOLIC
- HARDWARE: HEX NUT: COPPER ALLOY, NICKEL PLATED
FLAT WASHER: STEEL, NICKEL PLATED (NOT SHOWN)

NOTE:
1. FOR HAND INSERTION USE 0.130,
FOR AUTOMATED INSERTION USE 0.135.

CUSTOMER DRAWING

☆ STAR SYMBOL DENOTES CRITICAL DIMENSION UNLESS OTHERWISE SPECIFIED 1. ALL DIMENSIONS IN INCHES - TWO PLACE DECIMALS ±0.01 - THREE PLACE DECIMALS ±0.005 - ANGLES ±1° - ALL DIA. CONCENTRIC WITHIN 0.005 T.I.R. 2. FEATURES ON THE SAME CENTERLINE MUST BE ALIGNED WITHIN ±0.002 3. REMOVE ALL BURRS DO NOT SCALE DRAWING					THIS DRAWING DESCRIBES A DESIGN CONSIDERED PROPRIETARY IN NATURE, DEVELOPED AND MANUFACTURED BY SWITCHCRAFT INC. AND IS RELEASED ON A CONFIDENTIAL BASIS FOR IDENTIFICATION PURPOSES ONLY.				
					SIZE	WIDTH	MULT	LBS/M	TEMPER
FIRST USED ON			SCALE 3:1						
DATE DRAWN	BY	CHKD	APVD	SHEET OF REV					
4-MAR-99	MM	3-4-99	JF	PART No. 7__RA_SERIES					
REVISIONS			RIGHT ANGLE POWER JACK		REV B				