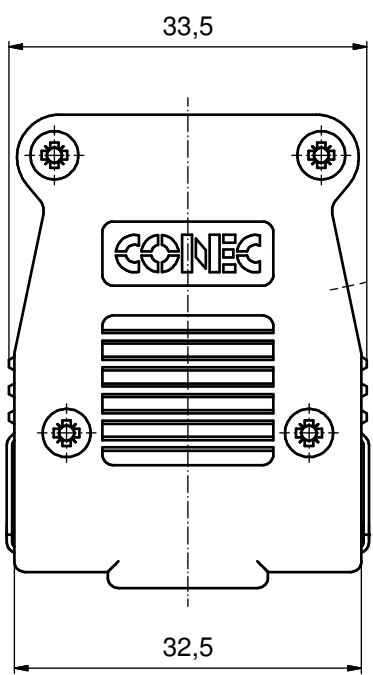
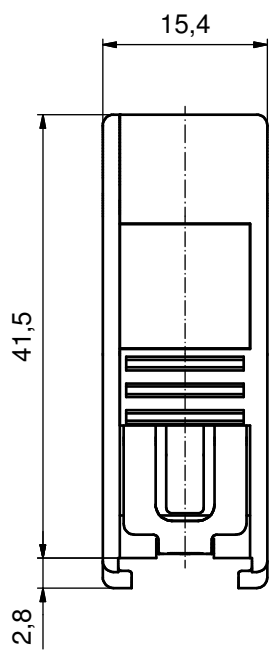
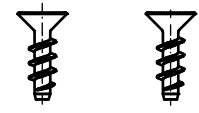
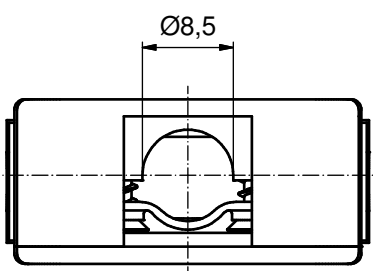
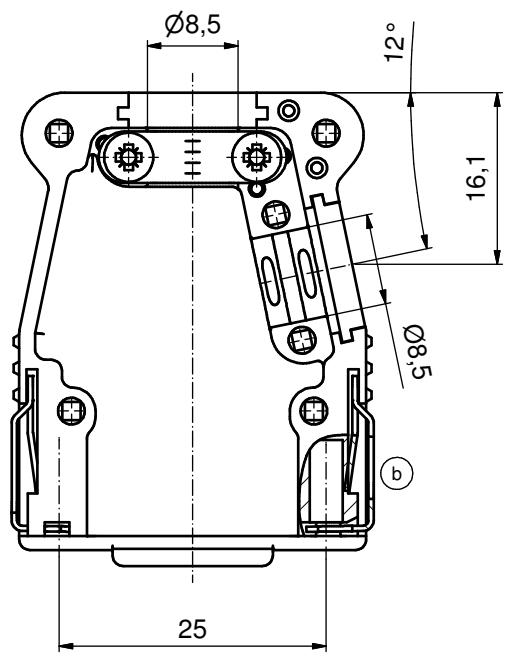


6 5 4 3 2 1



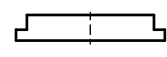
view without cover
(2:1)



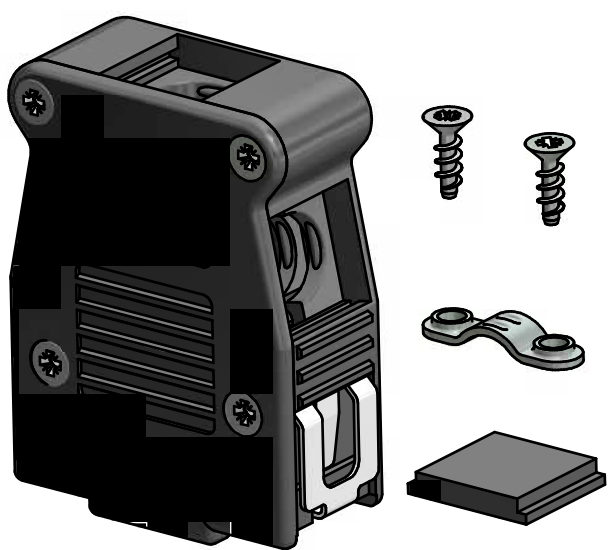
COUNTERSUNK HEAD SCREWS
(6x)



CABLE STRAIN RELIEF



BLANKING PLUG



Part-No.	Part-No.
Bulk package	Single package
16-001810	16-001810E

HOOD ASSEMBLY CONSISTS OF:

- 1. HOOD + COVER: ABS UL 94 V-0; BLACK
- 2. BLANKING PLUGS: ABS UL 94 V-0; BLACK
- 3. CABLE STRAIN RELIEF: STEEL; NICKEL PLATED
- 4. CLIP: STAINLESS STEEL
- 5. COUNTERSUNK HEAD SCREWS: STEEL; NICKEL PLATED

RoHS compliant

THIS DRAWING MAY NOT BE COPIED OR REPRODUCED IN ANY WAY, AND MAY NOT BE PASSED ON TO A THIRD PARTY WITHOUT WRITTEN PERMISSION. OWNERSHIP AND COPYRIGHT OF CONEC GmbH DO NOT ALTER CAD DRAWING BY HAND	tolerance		dim. in mm		scale: 2:1			
					material: see drawing			
			date	name		title: Plastic Hood 9pos with Snap Lock / top and side cable exit		
			drawn	12.11.12	Strakerjahn			
			appd.	26.03.14	Koch			
		norm						
2 x c	Ä5619	22.04.2015	K.H.	d-old	SK0823Y1			
3 x b	Ä5357	24.09.2014	K.H.			dwg no:		
a	Original					16K1A3133		
rev.	description	date	name	CONEC®		DIN-A3		
						sh: 1		
						part no: (c) (b) SEE TABLE		

6 5 4 3 2 1