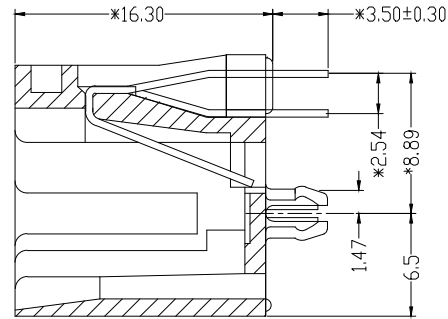
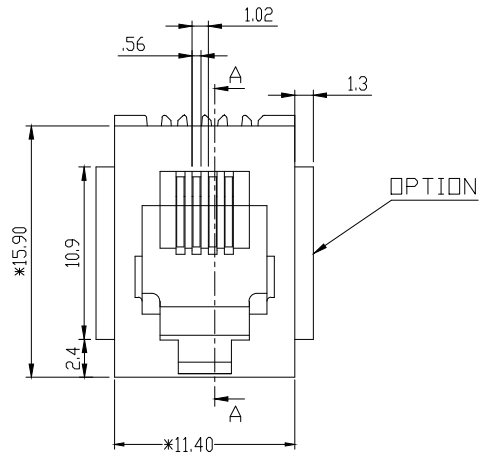
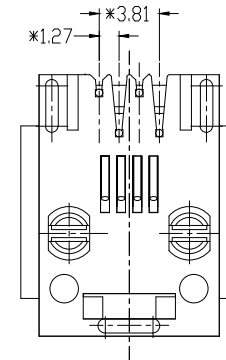


RoHS

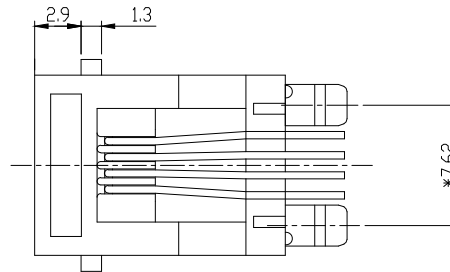
THIS IS A RoHS
COMPLIANT
COMPONENT/
PRODUCT.



SECTION A-A



PC Board layout
Component Side Shown



NOTES:

ELECTRICAL:

1. VOLTAGE RATING : 125 VAC RMS MIN.
2. CURRENT RATING : 1.5 AMP MIN.
3. CONTACT RESISTANCE : 30 MILLIOHMS MAX.
4. INSULATION RESISTANCE: 1000 MEGOHMS MIN @ 500 VDC.
5. DIELECTRIC STRENGTH: 750 VAC RMS 50Hz, 1MIN.

MECHANICAL:

1. HOUSING MATERIAL : HIGH TEMP. UL94V-0
2. CONTACT MATERIAL : PHOSPHOR BRONZE $\phi=0.46\text{mm}$
3. PLATING : GOLD PLATING OVER NICKEL.
4. OPERATING LIFE : 750 CYCLES MIN.
5. PCB RETENTION PRE-SOLDER: 1 LB MIN.
6. PCB RETENTION POST-SOLDER: 10 LBS MIN.

ENVIRONMENTAL:

1. STORAGE : -40°C TO +85°C.
2. OPERATION: -40°C TO +85°C.

MATES WITH MODULAR PLUG CONFORMING TO FCC PART 68, SUBPART F.

ORDERING INFORMATION:

PART NUMBER	PRODUCT CODE	CONFIGURATION
325I-0027-01	RJJU-44-I2I-EIV-047	6U" GOLD PLATING, WITHOUT PANEL STOP
325I-0027-02	RJJU-44-I22-EIV-047	6U" GOLD PLATING, WITH PANEL STOP
325I-0027-03	RJJU-44-I4I-EIV-047	30U" GOLD PLATING, WITHOUT PANEL STOP
325I-0027-04	RJJU-44-I42-EIV-047	30U" GOLD PLATING, WITH PANEL STOP

UL RECOGNIZED - FILE #E465899

	0069000	NEW DESIGN	YANG	091208
MARK	ECN-NO.	REVISION RECORD	DRAWN	DATE
		UNLESS OTHERWISE SPECIFIED TOLERANCE	SCALE	CHECKED
		Dimension Range Tolerance	2.5/1	eva
		X.X ±0.20	UNIT	APPROVED
		X.XX ±0.15	mm	peter
X.XXX ±0.10	SIZE	A3	SHEET	1/1
ANGLE	±5°			
Material/Plated/Notes		NAME		
SEE NOTE		TOP ENTRY PCB JACK W/D SHORTING BAR		
Tooling No.		PART NO.	SEE NOTE	REV.
		DOC. NO.		0