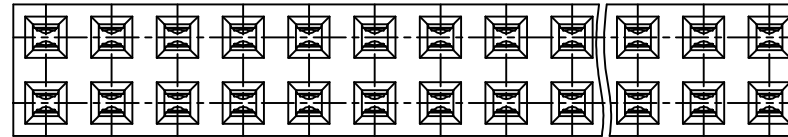


PRODUCT NUMBER

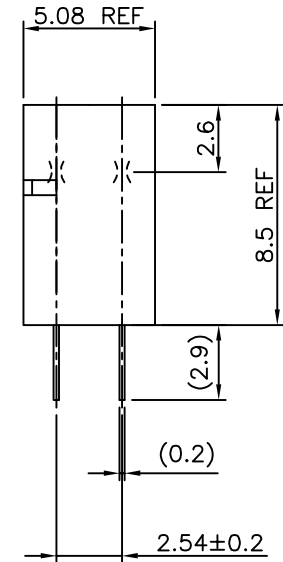
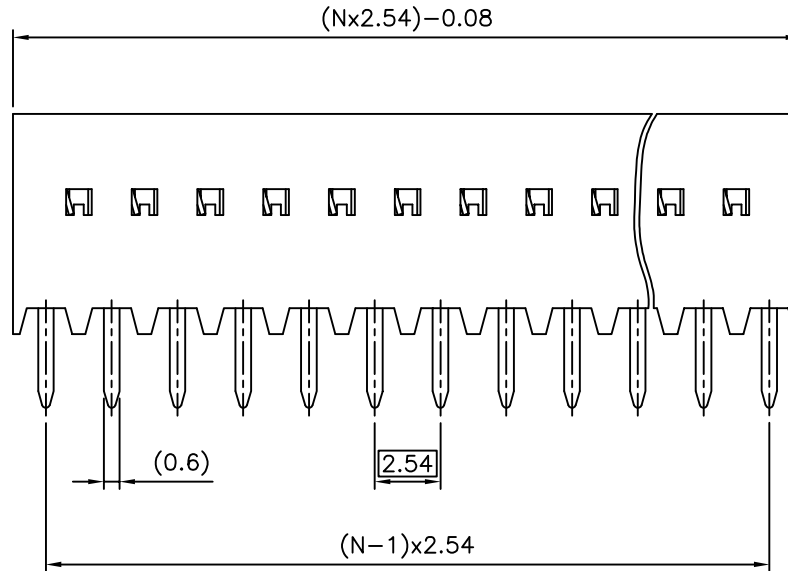
87606-YXXXLF

- RoHS COMPATIBLE, SEE NOTE 7
- OPTIONAL LETTER SEE NOTE 6
- NUMBER OF POSITIONS PER ROW: 02 TO 50.
- PLATING CODE
  - 3= 0.76µm GOLD ON CONTACT AREA.  
2µm MIN MATTE TIN ON TAIL.
  - 4= 2µm MIN MATTE TIN FULL PLATED
  - 8= 0.38µm GOLD ON CONTACT AREA.  
2µm MIN MATTE TIN ON TAIL.
  - 1.27µm Ni MIN UNDERPLATING



NOTES:

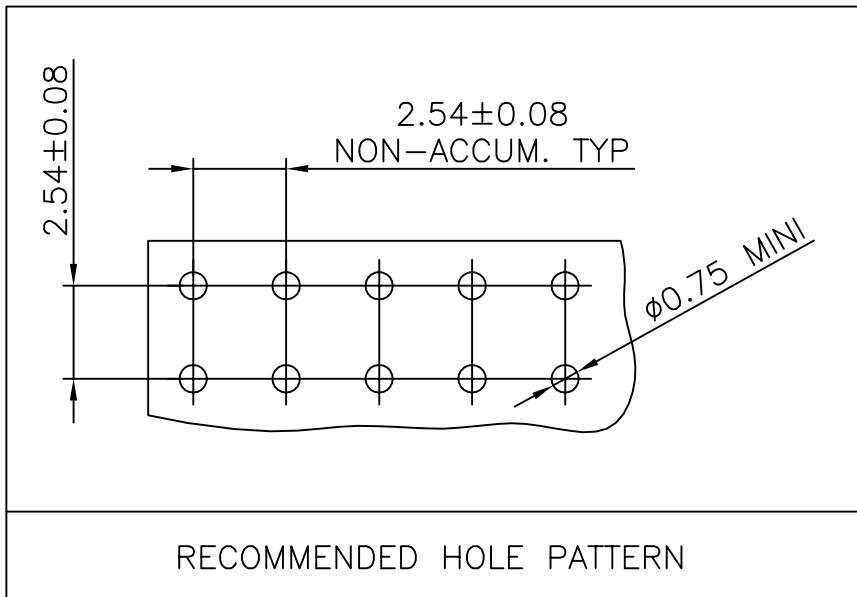
- 1 - HOUSING MAT'L: THERMOPLASTIC GLASS FILLED FLAME RETARDANT PER UL 94 V-O COLOR: BLUE.
- 2 - TERMINAL MATERIAL: PHOSPHOR BRONZE.
- 3 - 2 UP TO 4 POSITIONS PRODUCT PACKED IN PLASTIC BOX. 5 UP TO 50 POSITIONS PRODUCT PACKED IN TUBE.
- 4 - TO DETERMINE DIMENSIONS:  
N = NUMBER OF POSITIONS PER ROW  
EXAMPLE: 8 POS: (N x 2.54) - 0.08 = 20.24 mm
- 5 - HE13 PRINTING ON 87606-3XX PRODUCT.
- 6 - A LETTER "H" AT THE END OF THE PART NUMBER TO INDICATE A HIGH TEMP. PRODUCT  
HOUSING MAT'L: THERMOPLASTIC GLASS FILLED FLAME RETARDANT PER UL 94 V-O COLOR: GREY.
- 7 - RoHS COMPATIBLE PRODUCT SPECIFICATIONS
  - a - PLATING:
    - "LF" MEANS THE PRODUCT IS LEAD-FREE, 2µm MINIMUM MATTE TIN OVER 1.27µm MINIMUM NICKEL UNDERPLATE.
  - b - MANUFACTURING PROCESS COMPATIBILITY
    - THE HOUSING WILL WITHSTAND EXPOSURE TO 260°C ±5°C SOLDER BATH TEMPERATURE FOR 5 SECONDS IN A WAVE SOLDER APPLICATION WITH A 1.6mm MIN THICK CIRCUIT BOARD.
  - c - LABELING:
    - MEETS PACKAGING SPECS AS PER GS-14-920
  - d - LEGAL STATEMENT: SEE GS-47-0004
- 8 - PRINTING & HOLE PATTERN SEE NEXT SHEET.



mat'l. code		surface		tolerance		projection		product family	
SEE NOTE 1		ISO 1302		ISO 406 ISO 1101				DUBOX	
ltr	ecn no	dr	date	tolerances unless otherwise specified		mm		title	
K	F04-0347	DLE	04.09.23	angles linear				BtB RECEPT. VERT DR TMT	
L	F05-0230	DLE	05.08.08	±2°		scale 5:1		dwg no	
M	F06-0204	DLE	06.06.21	±2°				sheet 1 of 2	
N	F07-0109	DLE	07.01.16	dr	D LEGRAND	04.09.23		size	
P	B-19123	LMU	14.10.21	enr	P NIZZI	04.09.23		A3	
				chr	D LE	04.09.23		87606	
J	F04-0345	DLE	04.09.22	appd	P NZ	04.09.23		type	
sheet index	revision	P	D					CUSTOMER Drawing	
	sheet	1	2						



Copyright FCI



FCIconnect.com

Copyright FCI

mat'l. code SEE SHEET 1				surface ISO 1302 <input checked="" type="checkbox"/>		tolerance ISO 406 ISO 1101		projection 		product family DUBOX			
ltr	ecn no	dr	date	tolerances unless otherwise specified		angles		linear		title BtB RECEPT. VERT DR TMT			
A	F04-0347	DLE	04.09.23	±0.3		linear		mm		scale 5:1			
B	F05-0230	DLE	05.08.08	±2'									
C	F06-204	DLE	06.06.21							dwg no 87606 sheet 2 of 2 size A4			
D	F07-0109	DLE	07.01.16	dr	D LEGRAND	04.09.23			type CUSTOMER Drawing				
				enr	P NIZZI	04.09.23							
				chr	D LE	04.09.23							
				appd	P NZ	04.09.23							
sheet index		revision sheet											