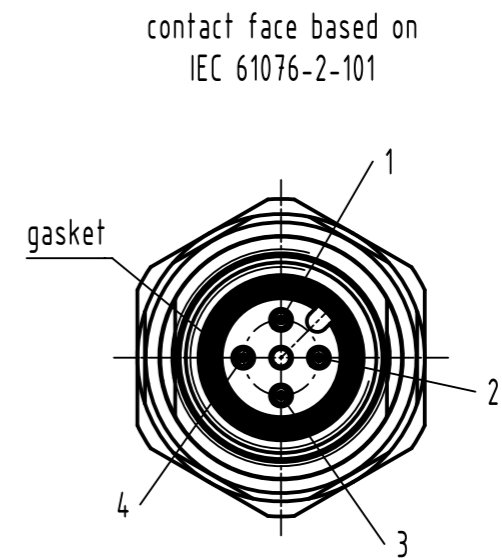
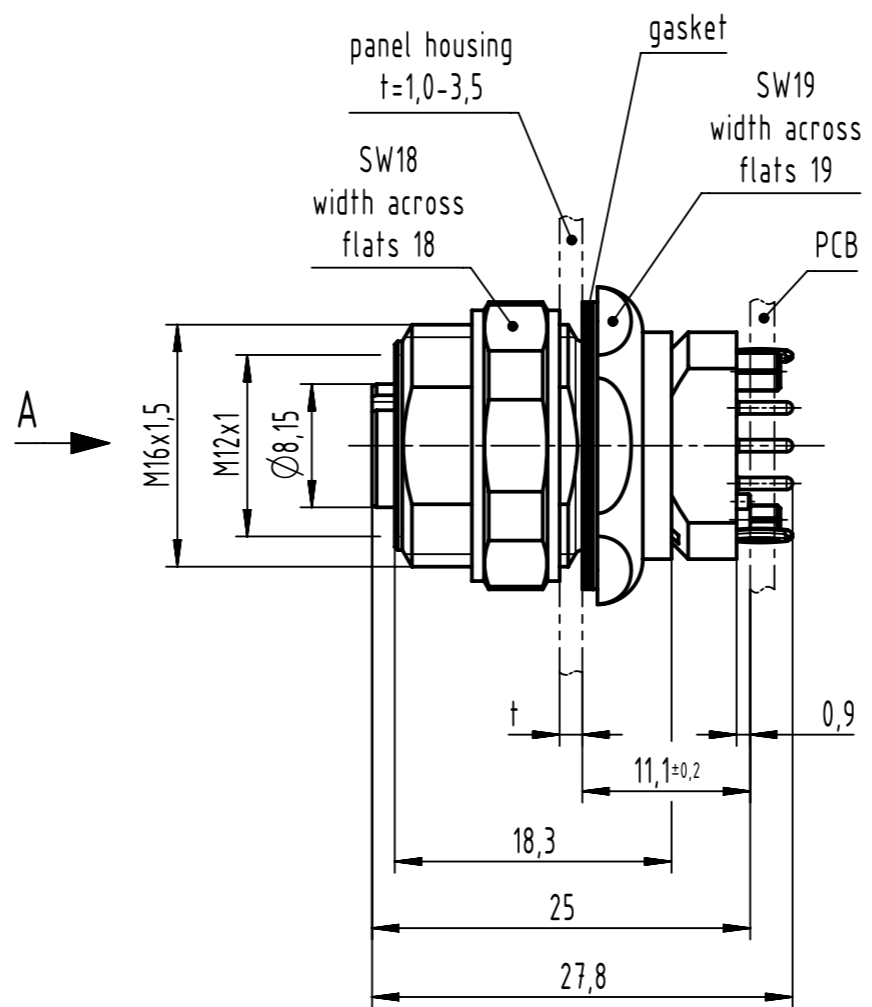
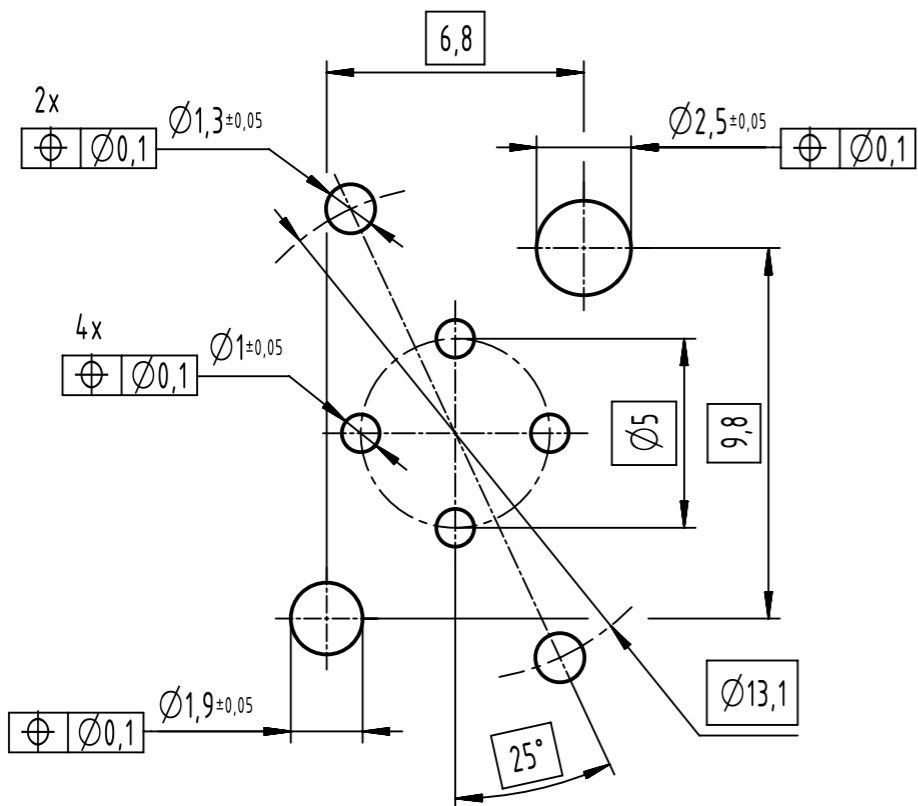
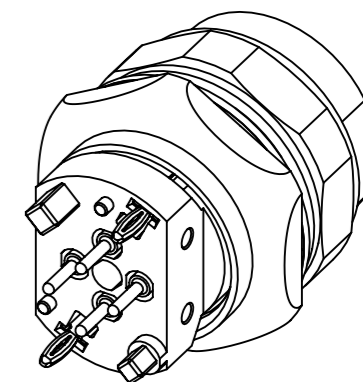
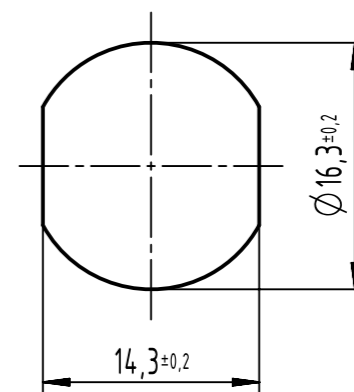


recommended PCB-layout
A (5:1)



panel cut out



- 1 pcs. single package

	All rights reserved	Created by HASSE	Inspected by 104122	Standardisation SAP_WFRT	Date 2021-10-22	State Final Release
	Department EL PD	Title M12-PCB-THR-2PC-4P-ACOD-F-STR		Doc-Key / ECM-Nr. 100584223/UGD/000/C 50000204328		
HARTING D-32339 Espelkamp	Type TB	Number 21033212430		Rev. C	Page 1/1	