

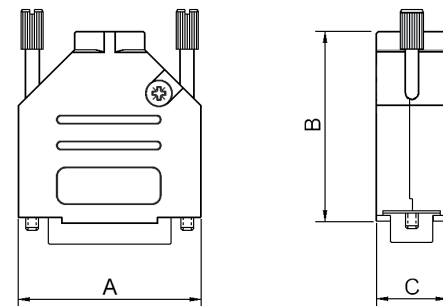
TECHNICAL SPECIFICATIONS

D-Sub Hood:

Material: Zinc, Black Plated
 Operating Temperature: -40°C to +120°C
 Cable Entry: Top Entry
 Thumbscrews: UNC 4-40 (Standard)
 M2,5 or M3 on request
 Cable O.D: Up to 11,5mm

Female D-Sub Solder Cup:

Insulator: PBT, Black, UL94 V-0
 Shell: Steel, Tin Plated
 Contact pins: Copper Alloy
 Stamped & Formed Pins: Class 3, 100 inserts min.
 Machined Contact Pins: Class 1, 500 inserts min.
 Contact Plating: Selective Gold over Nickel
 Operating Temperature: -55°C to +105°C
 Withstanding voltage: 1000V for 1 minute
 Insulator resistance: 1000MΩ min



Features:

- Available in sizes 9-15-25-37
- Excellent EMI Shielding
- Re-openable
- Strain relief inserts ensure a secure termination
- Black Full Metal Jackscrew as standard

Size DTZK	Dim A	Dim B	Dim C
9-way	31,0	39,5	15,0
15-way	39,5	41,5	15,0
25-way	53,5	48,5	15,0
37-way	71,0	53,0	15,0

Ordering information - Black Insulator:

Size:	P/N - Kitted:	Class 3 - 100 inserts min.
9-way	6355-0101-11	DTZK09-BK-DBS-K
15-way	6355-0101-12	DTZK15-BK-DBS-K
25-way	6355-0101-13	DTZK25-BK-DBS-K
37-way	6355-0101-14	DTZK37-BK-DBS-K

Size:	P/N - Kitted:	Class 1 - 500 inserts min.
9-way	6355-0101-31	DTZK09-BK-DMS-K
15-way	6355-0101-32	DTZK15-BK-DMS-K
25-way	6355-0101-33	DTZK25-BK-DMS-K
37-way	6355-0101-34	DTZK37-BK-DMS-K

Ordering information - White Insulator:

Size:	P/N - Kitted:	Class 3 - 100 inserts min.
9-way	6355-8101-11	DTZK09-BK-DBS-W-K
15-way	6355-8101-12	DTZK15-BK-DBS-W-K
25-way	6355-8101-13	DTZK25-BK-DBS-W-K
37-way	6355-8101-14	DTZK37-BK-DBS-W-K

Size:	P/N - Kitted:	Class 1 - 500 inserts min.
9-way	6355-8101-31	DTZK09-BK-DMS-W-K
15-way	6355-8101-32	DTZK15-BK-DMS-W-K
25-way	6355-8101-33	DTZK25-BK-DMS-W-K
37-way	6355-8101-34	DTZK37-BK-DMS-W-K

