

- 1
- 2
- 3
- 4
- 5
- 6
- 7
- 8
- 9
- 10
- 11
- 12
- 13
- 14
- 15
- 16
- 17
- 18

MATERIAL

High-resilience polypropylene based (PP) technopolymer, black colour, matte finish.

COLOURED CENTRE CAP

Technopolymer, matte finish.

To order, add the index of the desired colour (C9, ..., C17) to the code and the description.

On request and for sufficient quantities, it can be supplied in other colours or with customised graphic symbols, marks or writings.

STANDARD EXECUTIONS

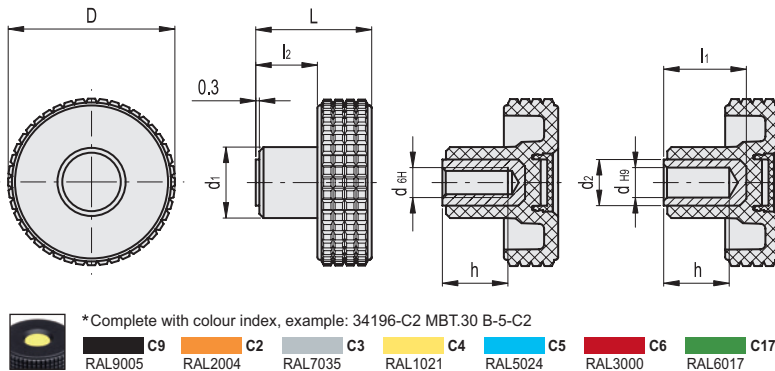
- **MBT-B**: brass boss, plain or threaded blind hole
- **MBT-p**: zinc-plated steel threaded stud, chamfered flat end according to UNI 947 : ISO 4753 (see Technical data on page A-10).

ERGONOMY AND DESIGN

The fine pitch knurling on the outside rim of the knob, allows a safe and comfortable grip, offering the operator the possibility of operating under the most different working conditions in a sensitive and ergonomic way and simplifying the adjustment of the knob during rapid rotation (or screwing) without any unpleasant angular work for the hand and wrist.



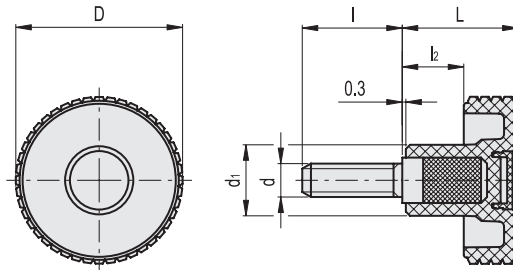
ELESA Original design



MBT-B

Code	Description	D	d _H	d _{H9}	L	d ₁	d ₂	l ₁	l ₂	h	⚖
34196-*	MBT.30 B-5-*	31	-	5	24	15	11	16	11.5	12	14
34201-*	MBT.30 B-M5-*	31	M5	-	24	15	-	-	11.5	10	12
34197-*	MBT.30 B-6-*	31	-	6	24	15	12	17	11.5	14	19
34206-*	MBT.30 B-M6-*	31	M6	-	24	15	-	-	11.5	12	17
34316-*	MBT.40 B-6-*	39.5	-	6	26.5	17	12	17	12.5	14	27
34321-*	MBT.40 B-M6-*	39.5	M6	-	26.5	17	-	-	12.5	12	22
34326-*	MBT.40 B-M8-*	39.5	M8	-	26.5	17	-	-	12.5	13	23
34411-*	MBT.50 B-6-*	50	-	6	33	20	15	23	16	18	48
34416-*	MBT.50 B-8-*	50	-	8	33	20	15	25	16	20	47
34421-*	MBT.50 B-M8-*	50	M8	-	33	20	-	-	16	20	32
34426-*	MBT.50 B-M10-*	50	M10	-	33	20	-	-	16	18	34
34506-*	MBT.60 B-10-*	61	-	10	39	23	16	30	18.5	25	67
34511-*	MBT.60 B-M10-*	61	M10	-	39	23	-	-	18.5	20	50
34516-*	MBT.60 B-M12-*	61	M12	-	39	23	-	-	18.5	20	58
34611-*	MBT.70 B-M12-*	70	M12	-	42	24	-	-	20.5	20	70
34616-*	MBT.70 B-M14-*	70	M14	-	42	24	-	-	20.5	20	78

Clamping knobs



* Complete with colour index, example: 34221-C2 MBT.30 p-M5x10-C2

C9 RAL9005
 C2 RAL2004
 C3 RAL7035
 C4 RAL1021
 C5 RAL5024
 C6 RAL3000
 C17 RAL6017

MBT-p

Code	Description	D	d _{6g}	L	d ₁	l	l ₂	⚖
34221-*	MBT.30 p-M5x10-*	31	M5	24	15	10	11.5	13
34226-*	MBT.30 p-M5x20-*	31	M5	24	15	20	11.5	14
34241-*	MBT.30 p-M5x40-*	31	M5	24	15	40	11.5	16
34261-*	MBT.30 p-M6x10-*	31	M6	24	15	10	11.5	14
34263-*	MBT.30 p-M6x16-*	31	M6	24	15	16	11.5	14
34266-*	MBT.30 p-M6x20-*	31	M6	24	15	20	11.5	15
34269-*	MBT.30 p-M6x25-*	31	M6	24	15	25	11.5	16
34271-*	MBT.30 p-M6x30-*	31	M6	24	15	30	11.5	17
34281-*	MBT.30 p-M6x40-*	31	M6	24	15	40	11.5	19
34341-*	MBT.40 p-M6x10-*	39.5	M6	26.5	17	10	12.5	18
34343-*	MBT.40 p-M6x16-*	39.5	M6	26.5	17	16	12.5	19
34346-*	MBT.40 p-M6x20-*	39.5	M6	26.5	17	20	12.5	20
34351-*	MBT.40 p-M6x30-*	39.5	M6	26.5	17	30	12.5	22
34361-*	MBT.40 p-M6x40-*	39.5	M6	26.5	17	40	12.5	24
34381-*	MBT.40 p-M8x16-*	39.5	M8	26.5	17	16	12.5	26
34383-*	MBT.40 p-M8x20-*	39.5	M8	26.5	17	20	12.5	27
34386-*	MBT.40 p-M8x25-*	39.5	M8	26.5	17	25	12.5	28
34391-*	MBT.40 p-M8x30-*	39.5	M8	26.5	17	30	12.5	30
34393-*	MBT.40 p-M8x40-*	39.5	M8	26.5	17	40	12.5	33
34396-*	MBT.40 p-M8x50-*	39.5	M8	26.5	17	50	12.5	36
34431-*	MBT.50 p-M8x16-*	50	M8	33	20	16	16	36
34436-*	MBT.50 p-M8x30-*	50	M8	33	20	30	16	38
34441-*	MBT.50 p-M8x50-*	50	M8	33	20	50	16	44
34451-*	MBT.50 p-M10x20-*	50	M10	33	20	20	16	42
34456-*	MBT.50 p-M10x30-*	50	M10	33	20	30	16	47
34471-*	MBT.50 p-M10x50-*	50	M10	33	20	50	16	57
34521-*	MBT.60 p-M10x20-*	61	M10	39	23	20	18.5	58
34526-*	MBT.60 p-M10x30-*	61	M10	39	23	30	18.5	63
34536-*	MBT.60 p-M10x50-*	61	M10	39	23	50	18.5	73
34551-*	MBT.60 p-M12x20-*	61	M12	39	23	20	18.5	70
34556-*	MBT.60 p-M12x30-*	61	M12	39	23	30	18.5	78
34571-*	MBT.60 p-M12x50-*	61	M12	39	23	50	18.5	94
34631-*	MBT.70 p-M12x30-*	70	M12	42	24	30	20.5	90
34641-*	MBT.70 p-M12x50-*	70	M12	42	24	50	20.5	105

