

HANDLE SHANKS

Extruded aluminium, epoxy resin coating, RAL 9002 white colour, glossy finish.

Threaded blind holes.

TUBE

RAL 9002 white.

COLOUR

RAL 9002 white.

FITTING ENDS

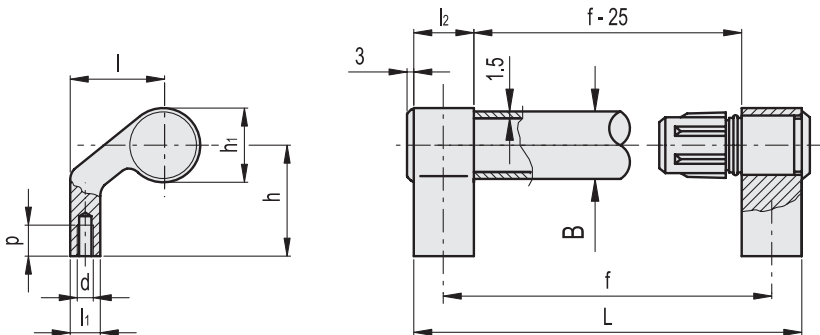
Glass-fibre reinforced polyamide based (PA) technopolymer, white colour similar to RAL 9002.

FEATURES AND APPLICATIONS

This handle, of white colour, has been conceived for applications on medical and hospital equipment and on food processing machines whose parts, for hygienic reasons, must be frequently cleaned. Its solid shape without cavities prevents unhealthy residues from depositing. Its glossy surface allows a perfect cleaning.



- 1
- 2
- 3
- 4
- 5
- 6
- 7
- 8
- 9
- 10
- 11
- 12
- 13
- 14
- 15
- 16
- 17
- 18



Code	f	d	p	L	B	h	h1	l	l1	l2	⚖
RHW1-30.R200.9002	200	M8	15	250	30	50	33	45	15	35	495
RHW1-30.R300.9002	300	M8	15	350	30	50	33	45	15	35	495
RHW1-30.R500.9002	500	M8	15	550	30	50	33	45	15	35	495