

PCB TERMINAL BLOCKS

10mm Pitch Low Profile Screw Terminal Blocks

PCB
TERMINAL
BLOCKS

INTER-
CONNECTION

FUSES &
FUSE-
HOLDERS

LEDs &
INDICATORS

MINIATURE
SWITCHES

LIMIT &
SAFETY
SWITCHES

CONTROL
PRODUCTS

INTERFACE
MODULES &
SUPPORTS


RELAY
BASES

DIN RAIL
ENCLOSURES

BATTERIES

SOLAR
PANELS

TRANS-
FORMERS

- 1 & 2 pole interlocking
- 3-12 pole solid block end stackable
- Moulded in grey UL94-V0 flame retardant PC
- Wire protector terminals
- 0.5-1.5mm² (30-14AWG) solid cable
- 0.5-1.0mm² (30-14AWG) stranded cable
- Guided pin alignment
- Captive screw
- Anti solder wicking terminals
-  approved

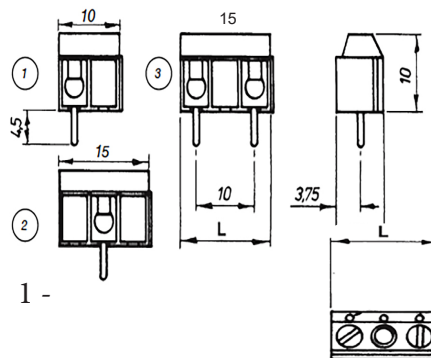
CTB6000



TYPE NO.	POLES	LENGTH
CTB6000/1	1	10mm
CTB6000/1/15	1	15mm
CTB6000/2	2	15mm
CTB6000/3	3	25mm
CTB6000/4	4	35mm
CTB6000/5	5	45mm
CTB6000/6	6	55mm
CTB6000/7	7	65mm
CTB6000/8	8	75mm
CTB6000/9	9	85mm
CTB6000/10	10	95mm
CTB6000/11	11	105mm
CTB6000/12	12	115mm

SPECIFICATION

Rating	13.5A/500V
	UL=14A/300V, VDE&IMQ=13.5A/750V
Dielectric strength	≥3kV
Impulse withstand voltage	6kV
Working temperature	85°C
Moulding	UL94-V0 flame retardant PC
Pin/terminal	Tinned, nickel plated brass
Wire protector	Tin plated, phosphor bronze
Screw/torque	M2.5 steel zinc plated, 0.4Nm
Recommended PCB hole size	ø1.3mm



CAMDENBOSS

We operate a constant improvement policy, our products are subject to change without notice.

Ver 1.1

+44 (0)1638 716101
info@camdenboss.com
www.camdenboss.com



FM 28614 EMS 613558