

PCB mount latching switches with integrated high brightness Green LED



DESCRIPTION

PCB mounted latching switches incorporating an independent LED.

DISTINCTIVE FEATURES

- Green illuminated push button switch
- DPDT contacts
- 300mA contact current
- 30V DC contact voltage
- Through-hole PCB Mount, 2.5mm pitch

APPLICATIONS

Applications include pro audio and video processing equipment and broadcast and test equipment amplification. The LED operation is independent of the switching function allowing designers to freely assign the LED illumination for a wide variety of status options.

DPDT

LED

PCB
Mount



ELECTRICAL SPECIFICATION

Switch Contacts	DPDT
Rating	30VDC 0.3A
*Insulation Resistance	DC 500V 10 MΩ min
**Dielectric Strength	AC 500V for 1 minute
***Contact Resistance	20 mΩ max (DC 1.5V 100 mA, by method of voltage drop)
LED Absolute Maximum Ratings at TA=25°C	
Power Dissipation (P _D)	75 mW
Forward Current (I _F)	30 mA
Peak Forward Current ¹ (I _{FP})	150 mA
Reverse Voltage (V _R)	5 V
¹ Pulse width ≤ 0.1ms, Duty cycle ≤ 1/10	

LED Electrical / Optical Characteristics at TA=25°C					
Parameter	Min	Typ	Max	Unit	Test Conditions
Forward Voltage (V _F)	-	2.1	2.5	V	I _F =20mA
Reverse Current (I _R)	-	-	10	μA	V _R =5V
Dominant Wavelength (λ _d)	-	570	-	nm	I _F =20mA
Peak Wavelength (λ _P)	-	574	-	nm	I _F =20mA
Spectral Line Half Width (Δλ)	-	20	-	nm	I _F =20mA
Luminous Intensity (I _v)	180	400	-	mcd	I _F =20mA
Power Angle (2θ _{1/2})	-	34	-	Deg.	I _F =20mA
Capacitance ©	-	15	-	pF	V _F =0V; f=1MHz



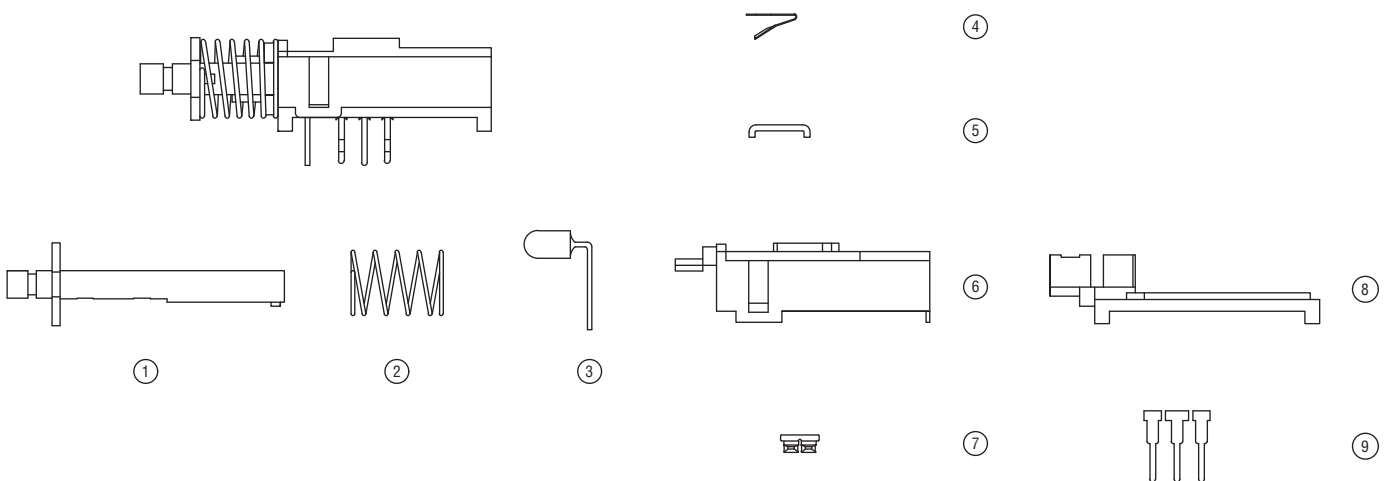
GENERAL SPECIFICATION

Type	Latching PCB Mount Switch
Illumination	LED - Green



MATERIALS

Part	Drawing Reference	Material
Actuator	1	PC
Spring	2	Stainless Steel
LED (Chip Material)	3	GaAsP
LED Lens Colour		Water Clear
Spring Plate	4	Phosphor Bronze
Lock Pin	5	Steel, Nickel Plated
Base Frame	6	POM
Clip	7	Phosphor Bronze
Terminal Board	8	PA66
Terminal	9	Brass, Silver Plated





ENVIRONMENTAL/OPERATING SPECIFICATION

Operating Force	200±100gf	
Operating Travel	Lock Travel: 2.5mm	
	Full Travel: 3.3mm	
Timing	Non-Shorting Type	
Robustness of Terminals	To withstand without damage or distortion a static load of 500gf applied from any direction to the end of terminal for 1 minute. Once per terminal only	
Robustness of Actuator	To withstand without breakage or unusual appearance a static load of 5Kgf applied to the actuator along the operating direction	
Resistance of soldering heat; Manual Soldering	300±5°C for 3 seconds	
Resistance of soldering heat; Dip/ Flow Soldering	260±5°C for 3 seconds	
Durability	Operating life without load after 10,000 cycles	
Contact Resistance	50mΩMax	
Operating Force	Within ± 30% of operating force specification	
Insulation Resistance	DC500V 10MΩ Min	
Dielectric Strength	AC 500V for 1 minute	
Operating Temperature	-40°C ~85°C	
Storage Temperature	-40°C ~85°C	
Environmental Performance	Test Conditions	Criteria
Cold	-40±2°C for 24 Hours	Shall meet Electrical specifications marked *, **, ***
		Mechanical performance should remain normal
Dry Heat	85±2°C for 48 Hours	Contact resistance shall be less than 50mΩ
		Shall meet Electrical specifications marked *, **
		Mechanical performance should remain normal
Damp Heat	40±2°C 90%~95%RH for 96 Hours	Contact resistance shall be less than 50mΩ
		Insulation resistance shall be higher than 10MΩ
		Dielectric strength shall meet the requirements of **
		Mechanical performance should remain normal



TERMINALS

Solder Pins	2.54mm pitch
-------------	--------------

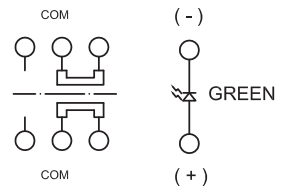


DIMENSIONS/DRAWINGS

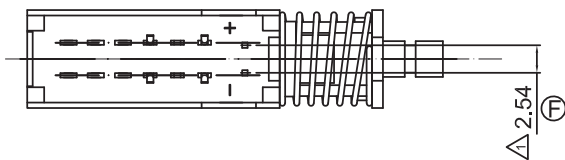
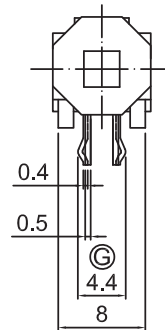
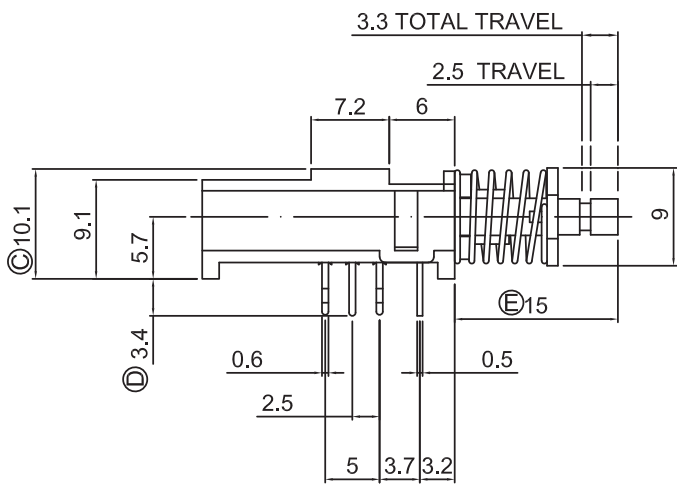
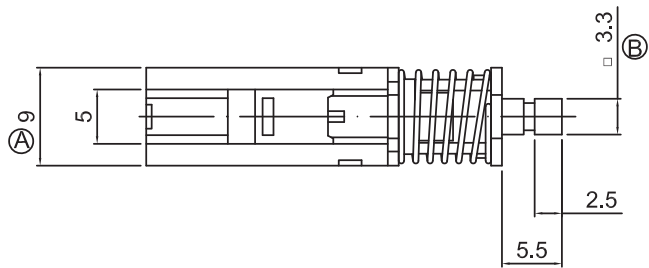
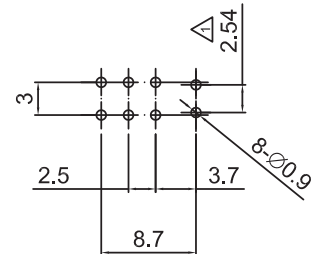
Units	mm - unless stated otherwise
-------	------------------------------



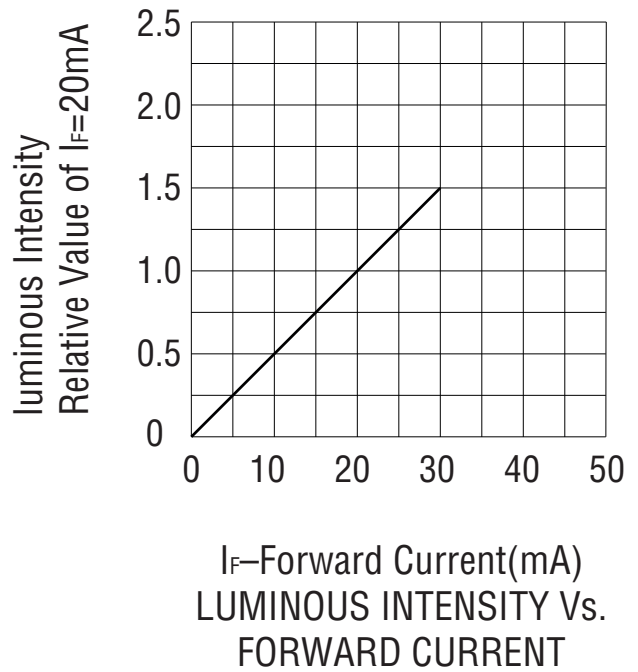
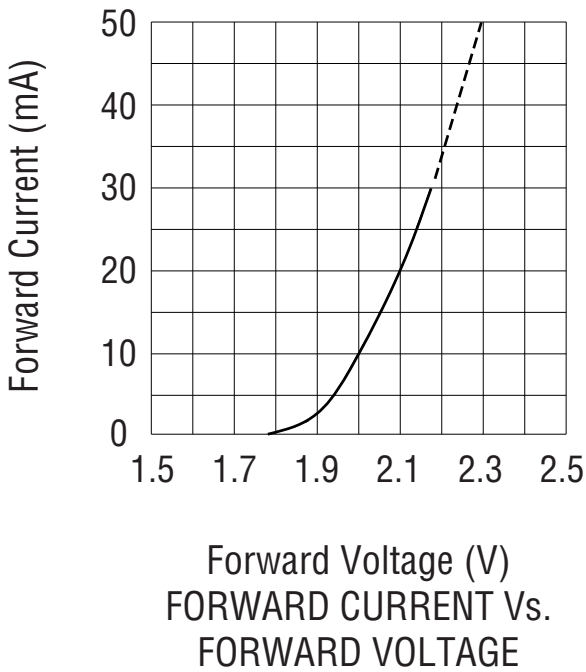
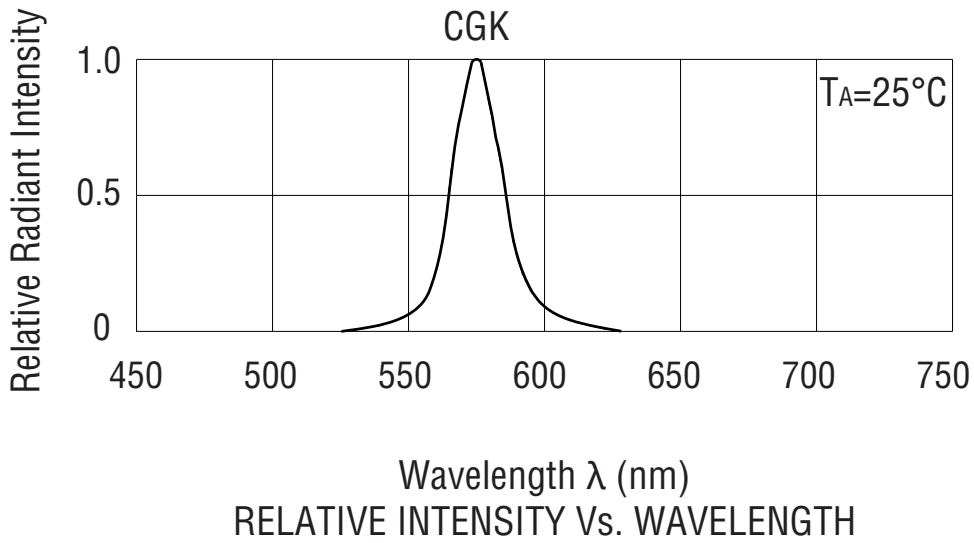
SCHEMATIC



P.C.B HOLE DETAIL



T_A=25°C Unless Otherwise Stated





OPTIONS (MOQ may apply)

Non-Latching Types	
LED Sorting; Binning based on:	Forward Voltage
	Luminous Intensity
	Dominant Wavelength



PART NUMBER TABLE

Part Number	Weight	EAN	UNSPSC	Country of origin
78-0391	50g	5053556003211	39122216	China

Accessories	
Part Number	Description
78-0389	R-TECH 780389 Knob for PCB Switch 8.4mm x 9mm Clear
78-0392	R-TECH 780392 Round Clear Switch Cap Large



Tried & trusted technology

Important Notice: This data sheet and its contents (the "Information") belong to Rapid Electronics Limited or are licensed to it. No licence is granted for the use of it other than for information purposes in connection with the products to which it relates. No licence of any intellectual property rights is granted. The Information is subject to change without notice and replaces all data sheets previously supplied. The Information supplied is believed to be accurate but Rapid Electronics Limited assumes no responsibility for its accuracy or completeness, any error in or omission from it or for any use made of it. Users of this data sheet should check for themselves the Information and the suitability of the products for their purpose and not make any assumptions based on information included or omitted. Liability for loss or damage resulting from any reliance on the Information or use of it (including liability resulting from negligence or where Rapid Electronics Limited were aware of the possibility of such loss or damage arising) is excluded. This will not operate to limit or restrict Rapid Electronics Limited's liability for death or personal injury resulting from its negligence.