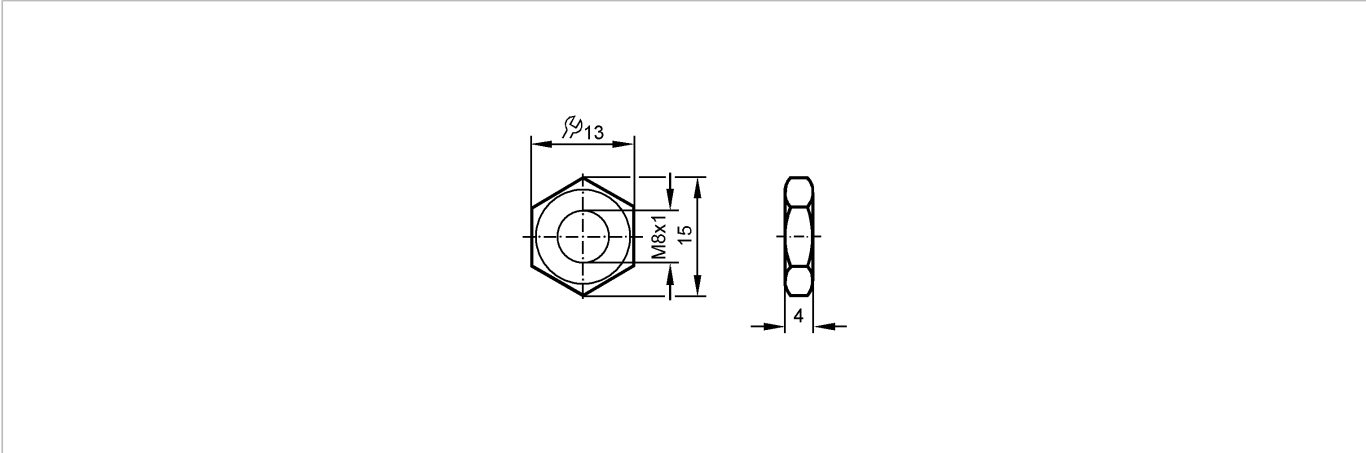




NUT M8 CUZN 100PCS.

Accessories



Product characteristics

Lock nuts metal

M8 x 1

Mechanical data

Housing materials

Brass nickel-plated

Weight

[kg]

0.332

Remarks

Pack quantity

[piece]

100