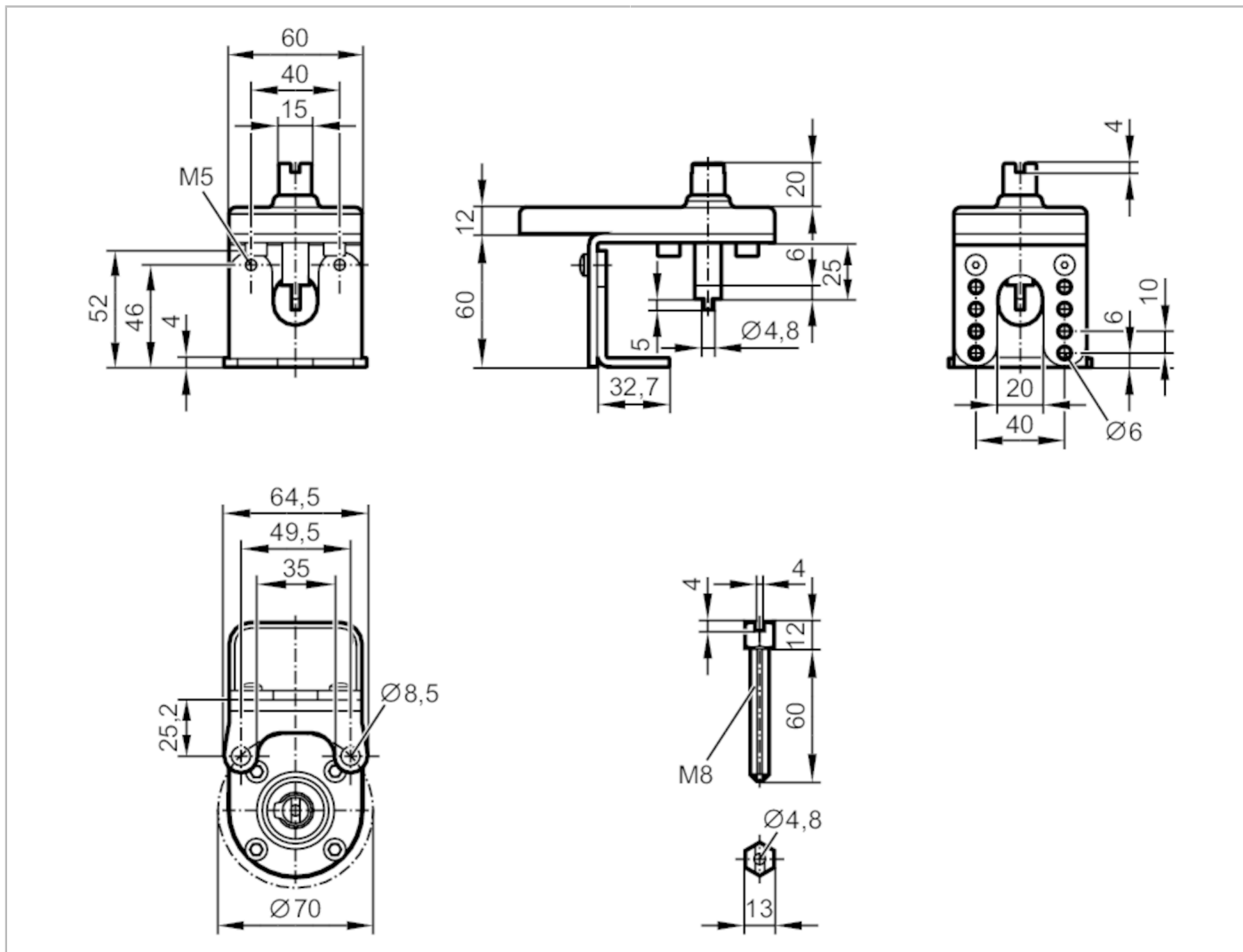


# E12523



## Mounting set for manual valves and ball valves

MOUNTING KIT FOR MANUAL VALVES F07/M8



Operating conditions		
Ambient temperature	[°C]	-30...80
Mechanical data		
Weight	[g]	478
Top flange diameter	[mm]	70
ISO top flange type		F07
Shaft extension		M8
Materials		Mounting plate: plastics; metal parts: stainless steel (1.4301 / 304)
Remarks		
Pack quantity		1 pcs.