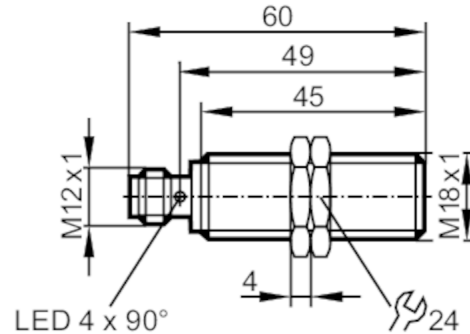


Inductive full-metal sensor

IGK3007BFRKG/AM/IO/US-104



Product characteristics

Electrical design	PNP/NPN; (parameterisable)
Output function	normally open / normally closed; (parameterisable)
Communication interface	IO-Link
Housing	threaded type
Dimensions [mm]	M18 x 1 / L = 60

Application

Application	Use in machine tools, coolants and lubricants
Pressure rating [bar]	100
Note on pressure rating	Sensing face

Electrical data

Operating voltage [V]	10...30 DC
Current consumption [mA]	15
Protection class	III
Reverse polarity protection	yes

Outputs

Electrical design	PNP/NPN; (parameterisable)
Output function	normally open / normally closed; (parameterisable)
Max. voltage drop switching output DC [V]	2.5
Permanent current rating of switching output DC [mA]	100
Switching frequency DC [Hz]	100
Short-circuit protection	yes
Overload protection	yes

Detection zone

Switch point IO-Link [mm]	1.41...7.01; (parameterisable)
Measuring range IO-Link [mm]	0.75...7.5



Inductive full-metal sensor

IGK3007BFRKG/AM/IO/US-104

Accuracy / deviations		
Correction factor	steel: 1 / stainless steel: 0.8 / brass: 0.5 / aluminium: 0.4 / copper: 0.2	
Hysteresis [% of Sr]	3...15	
Linearity error IO-Link [%]	± 2; (of the final value of the measuring range)	
Repeatability IO-Link [%]	± 1; (of the final value of the measuring range)	
Temperature coefficient	± 0,3 %/K; (of the final value of the measuring range)	
Interfaces		
Communication interface	IO-Link	
Transmission type	COM2 (38,4 kBaud)	
IO-Link revision	1.1	
SDCI standard	IEC 61131-9	
IO-Link device ID	1090d / 000442h	
Profiles	Smart Sensor: Identification and diagnosis; Multi-channel, two setpoint switching sensor, type 0 Generic Profiled Sensor; Teach Channel	
SIO mode	yes	
Required master port type	A	
Min. process cycle time [ms]	3.2	
Operating conditions		
Ambient temperature [°C]	-40...85	
Protection	IP 65; IP 66; IP 67; IP 68; IP 69K	
Tests / approvals		
EMC	EN 61000-4-2 ESD	4 kV CD / 8 kV AD
	EN 61000-4-3 HF radiated	10 V/m
	EN 61000-4-4 Burst	2 kV
	EN 61000-4-6 HF conducted	10 V
	EN 55011	class B
Impact resistance	1 J	
Vibration resistance	EN 60068-2-6 Fc	20 g (10...3000 Hz) / 50 sweep cycles per frequency; 1 octave per minute in 3 axes
Shock resistance	EN 60068-2-27 Ea	100 g 11 ms half-sine; 3 shocks each in every direction of the 3 coordinate axes
Continuous shock resistance	EN 60068-2-27	40 g 6 ms; 4000 shocks each in every direction of the 3 coordinate axes
Fast temperature change	EN 60068-2-14 Na	TA = -40 °C; TB = 85 °C; t1 = 30 min; t2 = < 10 s; 50 cycles
Salt spray test	EN 60068-2-52 Kb	severity level 5 (4 test cycles)
MTTF [years]	635	
UL approval	Ta	-25...70 °C
	Enclosure type	Type 1
	voltage supply	Limited Voltage/Current
	UL Approval no.	A008
	File number UL	E174191

IGC260



Inductive full-metal sensor

IGK3007BFRKG/AM/IO/US-104

Mechanical data		
Weight	[g]	51.1
Housing		threaded type
Mounting		flush mountable
Dimensions	[mm]	M18 x 1 / L = 60
Thread designation		M18 x 1
Materials		stainless steel (1.4404 / 316L); stainless steel (1.4404 / 316L); ; LED window: PEI; lock nuts: brass white bronze coated
Tightening torque	[Nm]	50
Length	[mm]	60
Displays / operating elements		
Display	switching status	4 x LED, yellow
Accessories		
Accessories (supplied)		lock nuts: 2
Remarks		
Pack quantity		1 pcs.

Electrical connection

Connector: 1 x M12



Connection

